

BAB V

KESIMPULAN DAN SARAN

5.1. Kesimpulan

Setelah melakukan analisis dan perancangan pada struktur Hotel Nalendra, dapat diambil beberapa kesimpulan seperti yang tercantum di bawah ini.

1. Pelat lantai dan atap digunakan tebal 120 mm. Pelat atap dua arah dengan tulangan P10-250 untuk arah X dan Y. Pelat lantai dua arah dengan tulangan P10-150 untuk arah X dan P10-250 arah Y.
2. Dalam perencanaan balok induk, digunakan 2 macam dimensi yaitu sebesar 250 mm x 500 mm dan 350 mm x 600 mm. Balok-balok tersebut direncanakan dengan tulangan lentur dan geser yang berbeda-beda. Besar luas tulangan dapat dicari dari hasil output ETABS ataupun dari perhitungan manual. Berikut adalah salah satu contoh perbandingan luas tulangan lentur hasil output balok B42 dengan perhitungan manual.

Lokasi	Hasil Output ETABS (mm ²)	Hasil Perhitungan Manual (mm ²)
Tumpuan Kiri	2556,780	2946,429
Lapangan	2031,680	2455,357
Tumpuan Kanan	2425,060	2946,429

3. Dalam perencanaan kolom, dimensi yang digunakan untuk kolom *semibasement* dan lantai 1 sebesar 800 mm x 800 mm, dimensi yang digunakan untuk kolom lantai 2 dan lantai 3 sebesar 700 mm x 700 mm, dimensi yang digunakan untuk kolom lantai 4 dan lantai 5 sebesar 600 mm x 600 mm, dimensi yang digunakan untuk kolom lantai 6 - lantai 7 sebesar 500

mm x 500 mm, sedangkan dimensi 400 mm x 400 mm digunakan untuk kolom lantai 8 dan lantai 9. Kolom – kolom tersebut direncanakan dengan jumlah tulangan longitudinal dan transversal yang berbeda – beda pula.

5.2. Saran

Saran-saran yang dapat diberikan penulis dari hasil Tugas Akhir yang disusun tercantum seperti di bawah ini.

1. Sebelum perencanaan struktur sebaiknya dilakukan estimasi awal pada ukuran elemen struktur, sehingga tidak terjadi penentuan elemen struktur berulang-ulang.
2. Untuk kemudahan dalam melaksanakan analisis struktur terutama dalam pembuatan model struktur gedung akan lebih mudah jika memakai program analisis struktur ETABS dan SAP2000 beserta program-program bantu lainnya.

DAFTAR PUSTAKA

Departemen Pekerjaan Umum, 1983, *Peraturan Beton Bertulang Indonesia 1971*, Yayasan LPMB, Bandung.

Kusuma, Gideon dan W.c.Vis, 1993,a, *Dasar-dasar Perencanaan Beton Bertulang*, Erlangga, Jakarta.

Kusuma, Gideon dan Andriono, Takim, 1993,b, *Desain Struktur Rangka Beton Bertulang di Daerah Rawan Gempa*, Penerbit Erlangga, Jakarta.

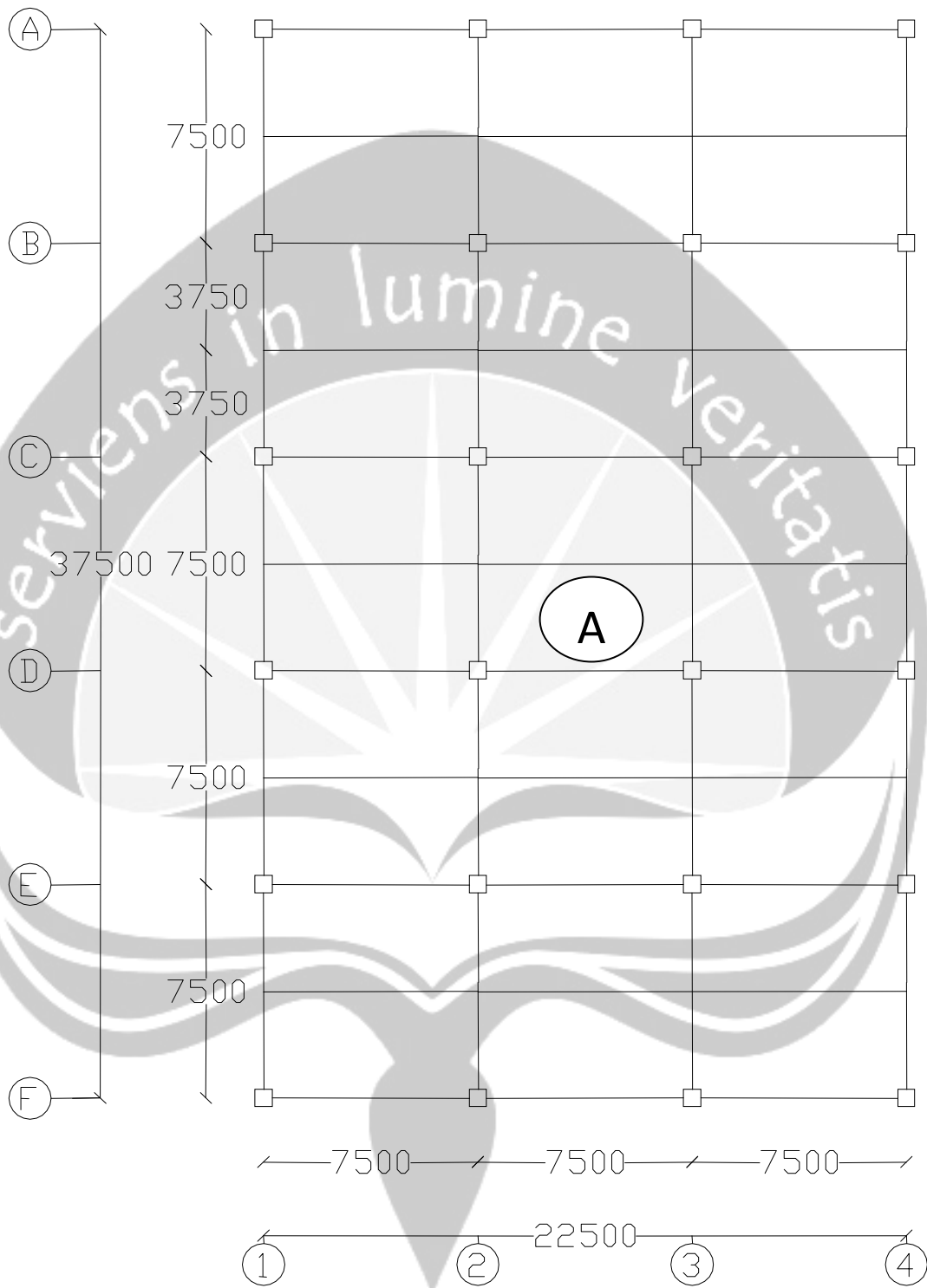
Kusuma, Gideon dan Vis, W.C., 1993,c, *Grafik dan Tabel Perhitungan Beton Bertulang*, Erlangga, Jakarta.

McCormac, J.C., 2004, *Desain Beton Bertulang*, Penerbit Erlangga, Jakarta.

Nawy, E., G., 1990, *Beton Bertulang Suatu Pendekatan Dasar*, PT. Eresco, Bandung.

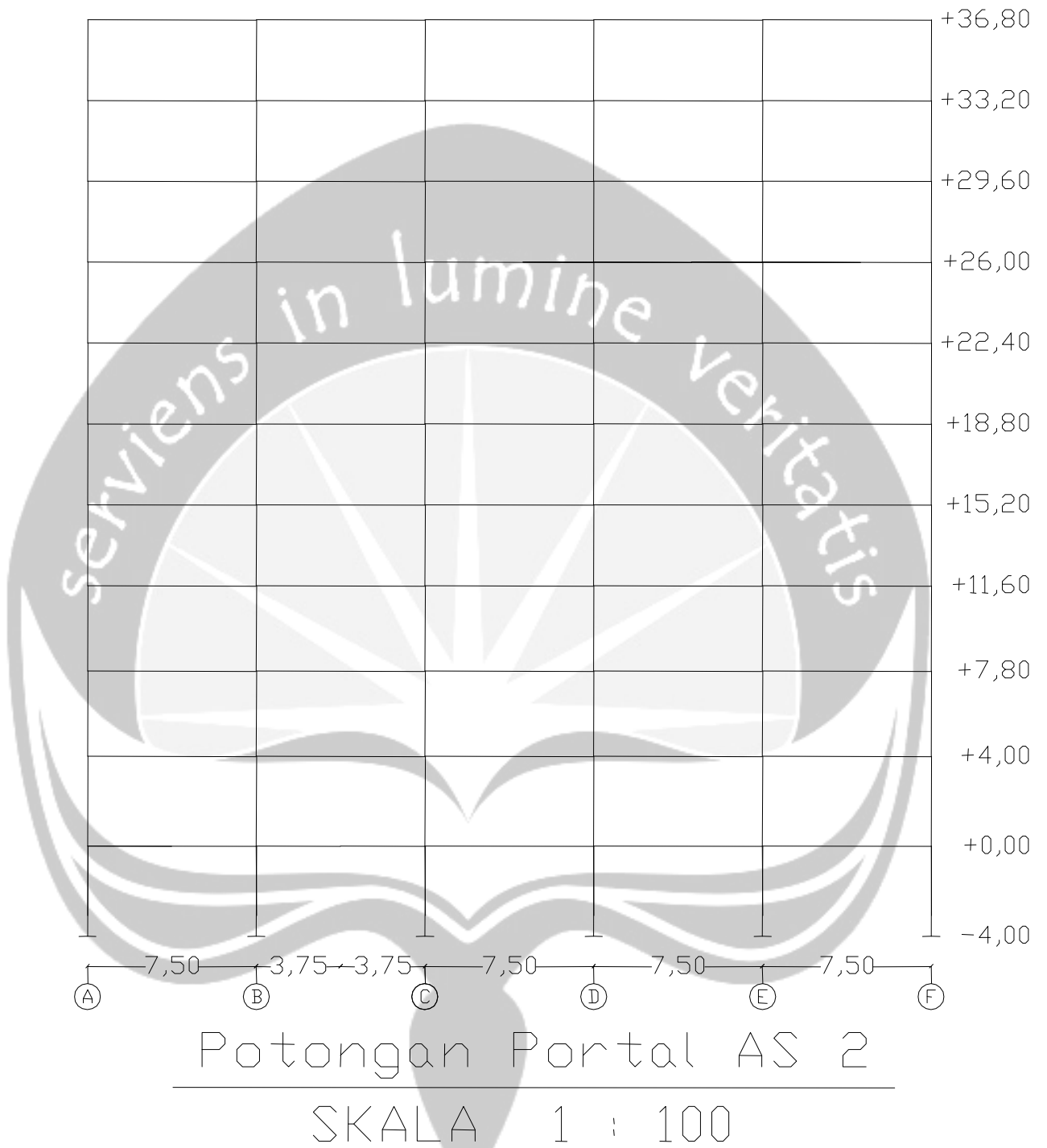
Purwono, Rachmat, 2005, *Perencanaan Struktur Beton Bertulang Tahan Gempa*, ITS Press, Surabaya.

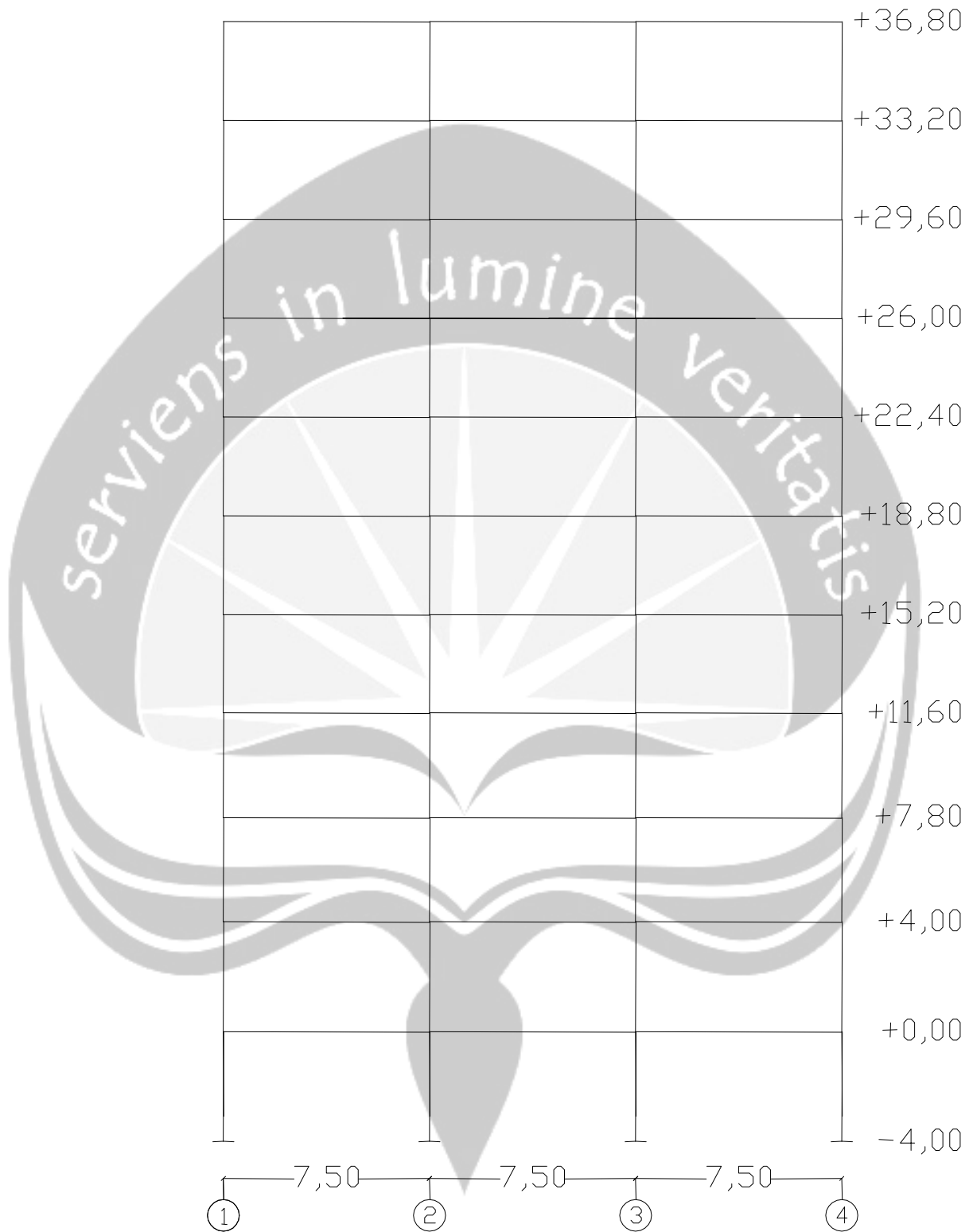
Wang, C.K. dan Salmon Charles G., 1985, *Disain Beton Bertulang*, Penerbit Erlangga, Jakarta.



Denah Balok Kolom

SKALA 1 : 100





Potongan Portal AS B

SKALA 1 : 100

ETABS v9.0.0 File:GEDUNG HOTEL GEMPA STATIS Units:KN-m August 18, 2010 7:18 PAGE 1

S T O R Y D A T A

STORY	SIMILAR TO	HEIGHT	ELEVATION
ATAP	None	3.600	36.400
LT 9	ATAP	3.600	32.800
LT 8	ATAP	3.600	29.200
LT 7	ATAP	3.600	25.600
LT 6	ATAP	3.600	22.000
LT 5	ATAP	3.600	18.400
LT 4	ATAP	3.600	14.800
LT 3	ATAP	3.600	11.200
LT 2	ATAP	3.600	7.600
LT 1	None	4.000	4.000
BASE	None		0.000

ETABS v9.0.0 File:GEDUNG HOTEL GEMPA STATIS Units:KN-m August 18, 2010 7:18 PAGE 2

C O O R D I N A T E S Y S T E M L O C A T I O N D A T A

NAME	TYPE	X	Y	ROTATION	BUBBLESIZE	VISIBLE
GLOBAL	Cartesian	0.000	0.000	0.00000	0.000	Yes

C O O R D I N A T E S Y S T E M G R I D D A T A

SYSTEM NAME	GRID DIR	GRID ID	GRID TYPE	GRID HIDE	BUBBLE LOC	GRID COORDINATE
GLOBAL	X	A	Primary	No	Top	0.000
GLOBAL	X	B	Primary	No	Top	7.500
GLOBAL	X	C	Primary	No	Top	15.000
GLOBAL	X	D	Primary	No	Top	22.500
GLOBAL	X	E	Primary	No	Top	30.000
GLOBAL	X	F	Primary	No	Top	37.500
GLOBAL	Y	1	Primary	No	Left	0.000
GLOBAL	Y	2	Primary	No	Left	7.500
GLOBAL	Y	3	Primary	No	Left	15.000
GLOBAL	Y	4	Primary	No	Left	22.500

ETABS v9.0.0 File:GEDUNG HOTEL GEMPA STATIS Units:KN-m August 18, 2010 7:18 PAGE 3

P O I N T C O O R D I N A T E S

POINT	X	Y	DZ-BELOW
1	0.000	0.000	0.000
2	3.750	0.000	0.000
3	7.500	0.000	0.000
4	11.250	0.000	0.000
5	15.000	0.000	0.000
6	18.750	0.000	0.000
7	22.500	0.000	0.000
8	26.250	0.000	0.000
9	30.000	0.000	0.000
10	33.750	0.000	0.000
11	37.500	0.000	0.000
12	0.000	5.000	0.000
13	3.750	5.000	0.000
14	33.750	5.000	0.000
15	37.500	5.000	0.000
16	0.000	7.500	0.000
17	3.750	7.500	0.000
18	7.500	7.500	0.000
19	11.250	7.500	0.000
20	15.000	7.500	0.000
21	17.500	7.500	0.000
22	18.750	7.500	0.000
23	20.000	7.500	0.000
24	22.500	7.500	0.000
25	26.250	7.500	0.000
26	30.000	7.500	0.000
27	33.750	7.500	0.000
28	37.500	7.500	0.000
29	15.000	10.000	0.000
30	17.500	10.000	0.000
31	20.000	10.000	0.000
32	22.500	10.000	0.000
44	0.000	15.000	0.000
45	3.750	15.000	0.000
46	7.500	15.000	0.000
47	11.250	15.000	0.000
48	15.000	15.000	0.000
49	18.750	15.000	0.000
50	22.500	15.000	0.000
51	26.250	15.000	0.000
52	30.000	15.000	0.000
53	33.750	15.000	0.000
54	37.500	15.000	0.000
55	0.000	22.500	0.000
56	3.750	22.500	0.000

57	7.500	22.500	0.000
58	11.250	22.500	0.000
59	15.000	22.500	0.000
60	18.750	22.500	0.000
61	22.500	22.500	0.000
62	26.250	22.500	0.000
63	30.000	22.500	0.000
64	33.750	22.500	0.000
65	37.500	22.500	0.000

ETABS v9.0.0 File:GEDUNG HOTEL GEMPA STATIS Units:KN-m August 18, 2010 7:18 PAGE 4

C O L U M N C O N N E C T I V I T Y D A T A

COLUMN	I END PT	J END PT	I END STORY
C1	1	1	Below
C2	3	3	Below
C3	5	5	Below
C4	7	7	Below
C5	9	9	Below
C6	11	11	Below
C7	16	16	Below
C8	18	18	Below
C9	20	20	Below
C10	24	24	Below
C11	26	26	Below
C12	28	28	Below
C13	44	44	Below
C14	46	46	Below
C15	48	48	Below
C16	50	50	Below
C17	52	52	Below
C18	54	54	Below
C19	55	55	Below
C20	57	57	Below
C21	59	59	Below
C22	61	61	Below
C23	63	63	Below
C24	65	65	Below

ETABS v9.0.0 File:GEDUNG HOTEL GEMPA STATIS Units:KN-m August 18, 2010 7:18 PAGE 5

B E A M C O N N E C T I V I T Y D A T A

BEAM	I END PT	J END PT
B1	1	3
B2	3	5
B3	5	7
B4	7	9
B5	9	11
B6	1	16
B7	2	17
B8	3	18
B9	4	19
B10	5	20
B11	6	22
B12	7	24
B13	8	25
B14	9	26
B15	10	27
B16	11	28
B17	12	13
B18	14	15
B19	16	18
B20	18	20
B21	20	24
B22	24	26
B23	26	28
B24	21	30
B25	23	31
B26	29	30
B27	31	32
B28	16	44
B29	17	45
B30	18	46
B31	19	47
B32	20	48
B34	49	22
B35	24	50
B36	25	51
B37	26	52
B38	27	53
B39	28	54
B40	44	46
B41	46	48
B42	48	50
B43	50	52
B44	52	54
B45	44	55
B46	45	56
B47	46	57
B48	47	58

B49	48	59
B50	49	60
B51	50	61
B52	51	62
B53	52	63
B54	53	64
B55	54	65
B56	55	57
B57	57	59
B58	59	61
B59	61	63
B60	63	65
B61	22	49

ETABS v9.0.0 File:GEDUNG HOTEL GEMPA STATIS Units:KN-m August 18, 2010 7:18 PAGE 6

FLOOR CONNECTIVITY DATA

FLOOR	POINT	POINT	POINT	POINT
F2	2	3	18	17
F3	3	4	19	18
F4	4	5	20	19
F5	5	6	22	20
F6	6	7	24	22
F7	7	8	25	24
F8	8	9	26	25
F9	9	10	27	26
F11	12	13	17	16
F12	14	15	28	27
F15	29	48	49	22
	21	30		
F16	22	49	50	32
	31	23		
F17	16	17	45	44
F18	17	18	46	45
F19	18	19	47	46
F20	19	20	48	47
F21	24	25	51	50
F22	25	26	52	51
F23	26	27	53	52
F24	27	28	54	53
F25	44	45	56	55
F26	45	46	57	56
F27	46	47	58	57
F28	47	48	59	58
F29	48	49	60	59
F30	49	50	61	60
F31	50	51	62	61
F32	51	52	63	62
F33	52	53	64	63
F34	53	54	65	64
F35	1	11	65	55

ETABS v9.0.0 File:GEDUNG HOTEL GEMPA STATIS Units:KN-m August 18, 2010 7:18 PAGE 7

RIGID DIAPHRAGM POINT CONNECTIVITY DATA

STORY	DIAPHRAGM	POINT	POINT	POINT	POINT	POINT		
ATAP	D1	1	16	44	55	3		
		18	46	57	5	20		
		48	59	7	24	50		
		61	9	26	52	63		
		11	28	54	65	2		
		17	45	56	4	19		
		47	58	6	22	49		
		60	8	25	51	62		
		10	27	53	64	29		
		32	21	23	30	31		
		LT 9	D1	16	44	55	3	18
				46	57	5	20	48
				59	7	24	50	61
				9	26	52	63	28
54	65			2	17	45		
56	4			19	47	58		
6	22			49	60	8		
25	51			62	10	27		
53	64			29	32	21		
23	30			31	12	15		
13	14							
LT 8	D1			16	44	55	3	18
				46	57	5	20	48
				59	7	24	50	61
		9	26	52	63	28		
		54	65	2	17	45		
		56	4	19	47	58		
		6	22	49	60	8		
		25	51	62	10	27		
		53	64	29	32	21		
		23	30	31	12	15		
		13	14					

LT 7	D1	16	44	55	3	18
		46	57	5	20	48
		59	7	24	50	61
		9	26	52	63	28
		54	65	2	17	45
		56	4	19	47	58
		6	22	49	60	8
		25	51	62	10	27
		53	64	29	32	21
		23	30	31	12	15
		13	14			
LT 6	D1	16	44	55	3	18
		46	57	5	20	48
		59	7	24	50	61
		9	26	52	63	28
		54	65	2	17	45
		56	4	19	47	58
		6	22	49	60	8
		25	51	62	10	27
		53	64	29	32	21
		23	30	31	12	15
		13	14			
LT 5	D1	16	44	55	3	18
		46	57	5	20	48
		59	7	24	50	61
		9	26	52	63	28
		54	65	2	17	45
		56	4	19	47	58
		6	22	49	60	8
		25	51	62	10	27
		53	64	29	32	21
		23	30	31	12	15
		13	14			
LT 4	D1	16	44	55	3	18
		46	57	5	20	48
		59	7	24	50	61
		9	26	52	63	28
		54	65	2	17	45
		56	4	19	47	58
		6	22	49	60	8
		25	51	62	10	27
		53	64	29	32	21
		23	30	31	12	15
		13	14			
LT 3	D1	16	44	55	3	18
		46	57	5	20	48
		59	7	24	50	61
		9	26	52	63	28
		54	65	2	17	45
		56	4	19	47	58
		6	22	49	60	8
		25	51	62	10	27
		53	64	29	32	21
		23	30	31	12	15
		13	14			
LT 2	D1	16	44	55	3	18
		46	57	5	20	48
		59	7	24	50	61
		9	26	52	63	28
		54	65	2	17	45
		56	4	19	47	58
		6	22	49	60	8
		25	51	62	10	27
		53	64	29	32	21
		23	30	31	12	15
		13	14			
LT 1	D1	16	44	55	3	18
		46	57	5	20	48
		59	7	24	50	61
		9	26	52	63	28
		54	65	2	17	45
		56	4	19	47	58
		6	22	49	60	8
		25	51	62	10	27
		53	64	29	32	21
		23	30	31	12	15
		13	14			

M A S S S O U R C E D A T A

MASS LATERAL LUMP MASS
FROM MASS ONLY AT STORIES

Loads Yes Yes

MASS SOURCE LOADS

LOAD	MULTIPLIER
DEAD	1.0000
LIVE	0.3000
RAIN	0.3000

ETABS v9.0.0 File:GEDUNG HOTEL GEMPA STATIS Units:KN-m August 18, 2010 7:18 PAGE 9

DIAPHRAGM MASS DATA

STORY	DIAPHRAGM	MASS-X	MASS-Y	MMI	X-M	Y-M
ATAP	D1	480.9104	480.9104	85260.4051	18.750	11.238
LT 9	D1	824.8390	824.8390	151571.9176	18.750	12.064
LT 8	D1	831.5851	831.5851	153034.8141	18.750	12.067
LT 7	D1	840.1474	840.1474	154843.2819	18.750	12.069
LT 6	D1	848.7962	848.7962	156708.0378	18.750	12.072
LT 5	D1	859.2613	859.2613	158918.3654	18.750	12.074
LT 4	D1	869.8129	869.8129	161184.9697	18.750	12.077
LT 3	D1	882.1807	882.1807	163797.1467	18.750	12.080
LT 2	D1	894.6350	894.6350	166465.5883	18.750	12.084
LT 1	D1	915.6709	915.6709	170908.4653	18.750	12.088

ETABS v9.0.0 File:GEDUNG HOTEL GEMPA STATIS Units:KN-m August 18, 2010 7:18 PAGE 10

ASSEMBLED POINT MASSES

STORY	POINT	UX	UY	UZ	RX	RY	RZ
ATAP	1907	480.910415	480.910415	0.000000	0.000000	0.000000	85260.40506
LT 9	1	11.848951	11.848951	0.000000	0.000000	0.000000	0.000000
LT 9	11	11.848951	11.848951	0.000000	0.000000	0.000000	0.000000
LT 9	1908	824.838983	824.838983	0.000000	0.000000	0.000000	151571.91760
LT 8	1	12.187697	12.187697	0.000000	0.000000	0.000000	0.000000
LT 8	11	12.187697	12.187697	0.000000	0.000000	0.000000	0.000000
LT 8	1909	831.585067	831.585067	0.000000	0.000000	0.000000	153034.81407
LT 7	1	12.576894	12.576894	0.000000	0.000000	0.000000	0.000000
LT 7	11	12.576894	12.576894	0.000000	0.000000	0.000000	0.000000
LT 7	1910	840.147403	840.147403	0.000000	0.000000	0.000000	154843.28194
LT 6	1	13.002128	13.002128	0.000000	0.000000	0.000000	0.000000
LT 6	11	13.002128	13.002128	0.000000	0.000000	0.000000	0.000000
LT 6	1911	848.796228	848.796228	0.000000	0.000000	0.000000	156708.03781
LT 5	1	13.477813	13.477813	0.000000	0.000000	0.000000	0.000000
LT 5	11	13.477813	13.477813	0.000000	0.000000	0.000000	0.000000
LT 5	1912	859.261306	859.261306	0.000000	0.000000	0.000000	158918.36539
LT 4	1	13.989535	13.989535	0.000000	0.000000	0.000000	0.000000
LT 4	11	13.989535	13.989535	0.000000	0.000000	0.000000	0.000000
LT 4	1913	869.812873	869.812873	0.000000	0.000000	0.000000	161184.96974
LT 3	1	14.551709	14.551709	0.000000	0.000000	0.000000	0.000000
LT 3	11	14.551709	14.551709	0.000000	0.000000	0.000000	0.000000
LT 3	1914	882.180692	882.180692	0.000000	0.000000	0.000000	163797.14666
LT 2	1	15.149919	15.149919	0.000000	0.000000	0.000000	0.000000
LT 2	11	15.149919	15.149919	0.000000	0.000000	0.000000	0.000000
LT 2	1915	894.635000	894.635000	0.000000	0.000000	0.000000	166465.58831
LT 1	1	16.106095	16.106095	0.000000	0.000000	0.000000	0.000000
LT 1	11	16.106095	16.106095	0.000000	0.000000	0.000000	0.000000
LT 1	1916	915.670864	915.670864	0.000000	0.000000	0.000000	170908.46533
BASE	1	3.075138	3.075138	0.000000	0.000000	0.000000	0.000000
BASE	3	3.075138	3.075138	0.000000	0.000000	0.000000	0.000000
BASE	5	3.075138	3.075138	0.000000	0.000000	0.000000	0.000000
BASE	7	3.075138	3.075138	0.000000	0.000000	0.000000	0.000000
BASE	9	3.075138	3.075138	0.000000	0.000000	0.000000	0.000000
BASE	11	3.075138	3.075138	0.000000	0.000000	0.000000	0.000000
BASE	16	3.075138	3.075138	0.000000	0.000000	0.000000	0.000000
BASE	18	3.075138	3.075138	0.000000	0.000000	0.000000	0.000000
BASE	20	3.075138	3.075138	0.000000	0.000000	0.000000	0.000000
BASE	24	3.075138	3.075138	0.000000	0.000000	0.000000	0.000000
BASE	26	3.075138	3.075138	0.000000	0.000000	0.000000	0.000000
BASE	28	3.075138	3.075138	0.000000	0.000000	0.000000	0.000000
BASE	44	3.075138	3.075138	0.000000	0.000000	0.000000	0.000000
BASE	46	3.075138	3.075138	0.000000	0.000000	0.000000	0.000000
BASE	48	3.075138	3.075138	0.000000	0.000000	0.000000	0.000000
BASE	50	3.075138	3.075138	0.000000	0.000000	0.000000	0.000000
BASE	52	3.075138	3.075138	0.000000	0.000000	0.000000	0.000000
BASE	54	3.075138	3.075138	0.000000	0.000000	0.000000	0.000000
BASE	55	3.075138	3.075138	0.000000	0.000000	0.000000	0.000000
BASE	57	3.075138	3.075138	0.000000	0.000000	0.000000	0.000000
BASE	59	3.075138	3.075138	0.000000	0.000000	0.000000	0.000000
BASE	61	3.075138	3.075138	0.000000	0.000000	0.000000	0.000000
BASE	63	3.075138	3.075138	0.000000	0.000000	0.000000	0.000000
BASE	65	3.075138	3.075138	0.000000	0.000000	0.000000	0.000000
ATAP	All	480.910415	480.910415	0.000000	0.000000	0.000000	85260.40506
LT 9	All	848.536886	848.536886	0.000000	0.000000	0.000000	151571.91760
LT 8	All	855.960460	855.960460	0.000000	0.000000	0.000000	153034.81407
LT 7	All	865.301191	865.301191	0.000000	0.000000	0.000000	154843.28194
LT 6	All	874.800484	874.800484	0.000000	0.000000	0.000000	156708.03781
LT 5	All	886.216933	886.216933	0.000000	0.000000	0.000000	158918.36539
LT 4	All	897.791943	897.791943	0.000000	0.000000	0.000000	161184.96974
LT 3	All	911.284110	911.284110	0.000000	0.000000	0.000000	163797.14666
LT 2	All	924.934839	924.934839	0.000000	0.000000	0.000000	166465.58831

LT 1	All	947.883054	947.883054	0.000000	0.000000	0.000000	170908.46533
BASE	All	73.803305	73.803305	0.000000	0.000000	0.000000	0.000000
Totals	All	8567.423621	8567.423621	0.000000	0.000000	0.000000	1522692.9919

ETABS v9.0.0 File:GEDUNG HOTEL GEMPA STATIS Units:KN-m August 18, 2010 7:18 PAGE 11

G R O U P M A S S D A T A

GROUP NAME	SELF MASS	SELF WEIGHT	TOTAL MASS-X	TOTAL MASS-Y	TOTAL MASS-Z
ALL	0.0000	48100.414	8567.4236	8567.4236	0.0000

ETABS v9.0.0 File:GEDUNG HOTEL GEMPA STATIS Units:KN-m August 18, 2010 7:18 PAGE 12

M A T E R I A L L I S T B Y E L E M E N T T Y P E

ELEMENT TYPE	MATERIAL	TOTAL MASS tons	NUMBER PIECES	NUMBER STUDS
Column	CONC	803.53	240	
Beam	CONC	1798.59	588	0
Floor	CONC	2302.75		

ETABS v9.0.0 File:GEDUNG HOTEL GEMPA STATIS Units:KN-m August 18, 2010 7:18 PAGE 13

M A T E R I A L L I S T B Y S E C T I O N

SECTION	ELEMENT TYPE	NUMBER PIECES	TOTAL LENGTH meters	TOTAL MASS tons	NUMBER STUDS
K600	Column	48	172.800	149.45	
K500	Column	48	172.800	103.79	
K400	Column	48	172.800	66.42	
B250X500	Beam	93	497.500	144.84	0
B350X600	Beam	342	2565.000	1186.72	0
B300X600	Beam	153	1080.000	467.04	0
K700	Column	48	172.800	203.42	
K800	Column	48	182.400	280.45	
ATAP	Floor			243.25	
LANTAI	Floor			2059.50	

ETABS v9.0.0 File:GEDUNG HOTEL GEMPA STATIS Units:KN-m August 18, 2010 7:18 PAGE 14

M A T E R I A L L I S T B Y S T O R Y

STORY	ELEMENT TYPE	MATERIAL	TOTAL WEIGHT tons	FLOOR AREA m2	UNIT WEIGHT kg/m2	NUMBER PIECES	NUMBER STUDS
ATAP	Column	CONC	33.21	843.750	39.3618	24	
ATAP	Beam	CONC	117.81	843.750	139.6269	57	0
ATAP	Floor	CONC	243.25	843.750	288.2942		
LT 9	Column	CONC	33.21	793.750	41.8412	24	
LT 9	Beam	CONC	191.01	793.750	240.6477	59	0
LT 9	Floor	CONC	228.83	793.750	288.2942		
LT 8	Column	CONC	51.89	793.750	65.3769	24	
LT 8	Beam	CONC	189.10	793.750	238.2324	59	0
LT 8	Floor	CONC	228.83	793.750	288.2942		
LT 7	Column	CONC	51.89	793.750	65.3769	24	
LT 7	Beam	CONC	189.10	793.750	238.2324	59	0
LT 7	Floor	CONC	228.83	793.750	288.2942		
LT 6	Column	CONC	74.73	793.750	94.1428	24	
LT 6	Beam	CONC	187.18	793.750	235.8171	59	0
LT 6	Floor	CONC	228.83	793.750	288.2942		
LT 5	Column	CONC	74.73	793.750	94.1428	24	
LT 5	Beam	CONC	187.18	793.750	235.8171	59	0
LT 5	Floor	CONC	228.83	793.750	288.2942		
LT 4	Column	CONC	101.71	793.750	128.1388	24	
LT 4	Beam	CONC	185.26	793.750	233.4017	59	0
LT 4	Floor	CONC	228.83	793.750	288.2942		
LT 3	Column	CONC	101.71	793.750	128.1388	24	
LT 3	Beam	CONC	185.26	793.750	233.4017	59	0
LT 3	Floor	CONC	228.83	793.750	288.2942		
LT 2	Column	CONC	132.85	793.750	167.3650	24	
LT 2	Beam	CONC	183.35	793.750	230.9864	59	0
LT 2	Floor	CONC	228.83	793.750	288.2942		
LT 1	Column	CONC	147.61	793.750	185.9611	24	
LT 1	Beam	CONC	183.35	793.750	230.9864	59	0
LT 1	Floor	CONC	228.83	793.750	288.2942		
SUM	Column	CONC	803.53	7987.500	100.5989	240	
SUM	Beam	CONC	1798.59	7987.500	225.1761	588	0

SUM	Floor	CONC	2302.75	7987.500	288.2942		
TOTAL	All	All	4904.88	7987.500	614.0691	828	0

ETABS v9.0.0 File:GEDUNG HOTEL GEMPA STATIS Units:KN-m August 18, 2010 7:18 PAGE 15

M A T E R I A L P R O P E R T Y D A T A

MATERIAL NAME	MATERIAL TYPE	DESIGN TYPE	MATERIAL DIR/PLANE	MODULUS OF ELASTICITY	POISSON'S RATIO	THERMAL COEFF	SHEAR MODULUS
STEEL	Iso	Steel	All	199947978.80	0.3000	1.1700E-05	76903068.77
CONC	Iso	Concrete	All	23500000.000	0.2000	9.9000E-06	9791666.667
OTHER	Iso	None	All	199947978.80	0.3000	1.1700E-05	76903068.77

M A T E R I A L P R O P E R T Y M A S S A N D W E I G H T

MATERIAL NAME	MASS PER UNIT VOL	WEIGHT PER UNIT VOL
STEEL	7.8271E+00	7.6820E+01
CONC	2.4010E+00	2.3560E+01
OTHER	7.8271E+00	7.6820E+01

M A T E R I A L D E S I G N D A T A F O R S T E E L M A T E R I A L S

MATERIAL NAME	STEEL FY	STEEL FU	STEEL COST (\$)
STEEL	248211.284	399895.958	1.00

M A T E R I A L D E S I G N D A T A F O R C O N C R E T E M A T E R I A L S

MATERIAL NAME	LIGHTWEIGHT CONCRETE	CONCRETE FC	REBAR FY	REBAR FYS	LIGHTWT REDUC FACT
CONC	No	25000.000	400000.000	240000.000	N/A

ETABS v9.0.0 File:GEDUNG HOTEL GEMPA STATIS Units:KN-m August 18, 2010 7:18 PAGE 16

F R A M E S E C T I O N P R O P E R T Y D A T A

FRAME SECTION NAME	MATERIAL NAME	SECTION SHAPE	NAME OR NAME IN SECTION DATABASE FILE	CONC COL	CONC BEAM
K600	CONC	Rectangular		Yes	
K500	CONC	Rectangular		Yes	
K400	CONC	Rectangular		Yes	
B250X500	CONC	Rectangular			Yes
B350X600	CONC	Rectangular			Yes
B300X600	CONC	Rectangular			Yes
K700	CONC	Rectangular		Yes	
K800	CONC	Rectangular		Yes	
K900	CONC	Rectangular		Yes	

F R A M E S E C T I O N P R O P E R T Y D A T A

FRAME SECTION NAME	SECTION DEPTH	FLANGE WIDTH TOP	FLANGE THICK TOP	WEB THICK	FLANGE WIDTH BOT	FLANGE THICK BOT
K600	0.6000	0.6000	0.0000	0.0000	0.0000	0.0000
K500	0.5000	0.5000	0.0000	0.0000	0.0000	0.0000
K400	0.4000	0.4000	0.0000	0.0000	0.0000	0.0000
B250X500	0.5000	0.2500	0.0000	0.0000	0.0000	0.0000
B350X600	0.6000	0.3500	0.0000	0.0000	0.0000	0.0000
B300X600	0.6000	0.3000	0.0000	0.0000	0.0000	0.0000
K700	0.7000	0.7000	0.0000	0.0000	0.0000	0.0000
K800	0.8000	0.8000	0.0000	0.0000	0.0000	0.0000
K900	0.9000	0.9000	0.0000	0.0000	0.0000	0.0000

F R A M E S E C T I O N P R O P E R T Y D A T A

FRAME SECTION NAME	SECTION AREA	TORSIONAL CONSTANT	MOMENTS OF INERTIA		SHEAR AREAS	
			I33	I22	A2	A3
K600	0.3600	0.0183	0.0108	0.0108	0.3000	0.3000
K500	0.2500	0.0088	0.0052	0.0052	0.2083	0.2083
K400	0.1600	0.0036	0.0021	0.0021	0.1333	0.1333
B250X500	0.1250	0.0018	0.0026	0.0007	0.1042	0.1042
B350X600	0.2100	0.0055	0.0063	0.0021	0.1750	0.1750
B300X600	0.1800	0.0037	0.0054	0.0014	0.1500	0.1500
K700	0.4900	0.0338	0.0200	0.0200	0.4083	0.4083
K800	0.6400	0.0577	0.0341	0.0341	0.5333	0.5333
K900	0.8100	0.0924	0.0547	0.0547	0.6750	0.6750

F R A M E S E C T I O N P R O P E R T Y D A T A

SECTION MODULI	PLASTIC MODULI	RADIUS OF GYRATION
----------------	----------------	--------------------

FRAME SECTION NAME	S33	S22	Z33	Z22	R33	R22
K600	0.0360	0.0360	0.0540	0.0540	0.1732	0.1732
K500	0.0208	0.0208	0.0313	0.0313	0.1443	0.1443
K400	0.0107	0.0107	0.0160	0.0160	0.1155	0.1155
B250X500	0.0104	0.0052	0.0156	0.0078	0.1443	0.0722
B350X600	0.0210	0.0123	0.0315	0.0184	0.1732	0.1010
B300X600	0.0180	0.0090	0.0270	0.0135	0.1732	0.0866
K700	0.0572	0.0572	0.0858	0.0858	0.2021	0.2021
K800	0.0853	0.0853	0.1280	0.1280	0.2309	0.2309
K900	0.1215	0.1215	0.1823	0.1823	0.2598	0.2598

FRAME SECTION WEIGHTS AND MASSES

FRAME SECTION NAME	TOTAL WEIGHT	TOTAL MASS
K600	1465.6205	149.3614
K500	1017.7920	103.7232
K400	651.3869	66.3828
B250X500	1420.3735	144.7503
B350X600	11637.7447	1186.0028
B300X600	4580.0640	466.7544
K700	1994.8723	203.2975
K800	2750.3002	280.2831
K900	0.0000	0.0000

CONCRETE COLUMN DATA

FRAME SECTION NAME	REINF CONFIGURATION		REINF SIZE/TYPE	NUM BARS 3DIR/2DIR	NUM BARS CIRCULAR	BAR COVER
	LONGIT	LATERAL				
K600	Rectangular	Ties	#9/Design	3/3	N/A	45.7200
K500	Rectangular	Ties	#9/Design	3/3	N/A	45.7200
K400	Rectangular	Ties	#9/Design	3/3	N/A	45.7200
K700	Rectangular	Ties	#9/Design	3/3	N/A	45.7200
K800	Rectangular	Ties	#9/Design	3/3	N/A	45.7200
K900	Rectangular	Ties	#9/Design	3/3	N/A	45.7200

CONCRETE BEAM DATA

FRAME SECTION NAME	TOP COVER	BOT COVER	TOP LEFT AREA	TOP RIGHT AREA	BOT LEFT AREA	BOT RIGHT AREA
B250X500	0.0400	0.0400	0.000	0.000	0.000	0.000
B350X600	0.0400	0.0400	0.000	0.000	0.000	0.000
B300X600	0.0400	0.0400	0.000	0.000	0.000	0.000

ETABS v9.0.0 File:GEDUNG HOTEL GEMPA STATIS Units:KN-m August 18, 2010 7:18 PAGE 17

SHELL SECTION PROPERTY DATA

SHELL SECTION	MATERIAL NAME	SHELL TYPE	LOAD DIST ONE WAY	MEMBRANE THICK	BENDING THICK	TOTAL WEIGHT	TOTAL MASS
WALL1	CONC	Shell-Thin	No	0.2500	0.2500	0.0000	0.0000
SLAB1	CONC	Shell-Thin	No	0.2500	0.2500	0.0000	0.0000
DECK1	CONC	Membrane	No	0.0889	0.0889	0.0000	0.0000
ATAP	CONC	Membrane	No	0.1200	0.1200	2385.4500	243.1013
LANTAI	CONC	Membrane	No	0.1200	0.1200	20196.8100	2058.2572

ETABS v9.0.0 File:GEDUNG HOTEL GEMPA STATIS Units:KN-m August 18, 2010 7:18 PAGE 18

DECK SECTION PROPERTY DATA

DECK SECTION	DECK TYPE	SLAB MATERIAL	DECK MATERIAL	DECK SHEAR THICK	DECK UNIT WT
DECK1	Filled	CONC	N/A	N/A	1.1012E-01

DECK SECTION SHEAR STUD DATA

DECK SECTION	STUD DIAM	STUD HEIGHT	STUD FU
DECK1	0.0191	0.1524	413685.473

DECK SECTION GEOMETRY DATA

DECK SECTION	SLAB DEPTH	RIB DEPTH	RIB WIDTH	RIB SPACING
DECK1	0.0889	0.0762	0.1524	0.3048

ETABS v9.0.0 File:GEDUNG HOTEL GEMPA STATIS Units:KN-m August 18, 2010 7:18 PAGE 19

LINK PROPERTY DATA

LINK: NLPRI
 TYPE: Damper

MASS	WEIGHT	INERTIA 1	INERTIA 2	INERTIA 3	P-D M2I	P-D M2J	P-D M3I	P-D M3J
0.0000	0.0000	0.0000	0.0000	0.0000	0.0000	0.0000	0.0000	0.0000
DOF	KE	CE	DJ	K	C	C EXP		
U1	0.0000	0.0000	N/A	---	---	---		

ETABS v9.0.0 File:GEDUNG HOTEL GEMPA STATIS Units:KN-m August 18, 2010 7:18 PAGE 20

S T A T I C L O A D C A S E S

STATIC CASE	CASE TYPE	AUTO LAT LOAD	SELF WT MULTIPLIER
DEAD	DEAD	N/A	1.0000
LIVE	LIVE	N/A	0.0000
RAIN	LIVE	N/A	0.0000
EX	QUAKE	USER	0.0000
EY	QUAKE	USER	0.0000

ETABS v9.0.0 File:GEDUNG HOTEL GEMPA STATIS Units:KN-m August 18, 2010 7:18 PAGE 21

L O A D I N G C O M B I N A T I O N S

COMBO	COMBO TYPE	CASE	CASE TYPE	SCALE FACTOR
COMB1	ADD	DEAD	Static	1.4000
COMB2	ADD	DEAD	Static	1.2000
		LIVE	Static	1.6000
COMB3	ADD	DEAD	Static	1.2000
		LIVE	Static	1.0000
		EX	Static	1.0000
		EY	Static	0.3000
COMB4	ADD	DEAD	Static	1.2000
		LIVE	Static	1.0000
		EX	Static	1.0000
		EY	Static	-0.3000
COMB5	ADD	DEAD	Static	1.2000
		LIVE	Static	1.0000
		EX	Static	-1.0000
		EY	Static	0.3000
COMB6	ADD	DEAD	Static	1.2000
		LIVE	Static	1.0000
		EX	Static	-1.0000
		EY	Static	-0.3000
COMB7	ADD	DEAD	Static	0.9000
		EX	Static	1.0000
		EY	Static	0.3000
COMB8	ADD	DEAD	Static	0.9000
		EX	Static	1.0000
		EY	Static	-0.3000
COMB9	ADD	DEAD	Static	0.9000
		EX	Static	-1.0000
		EY	Static	0.3000
COMB10	ADD	DEAD	Static	0.9000
		EX	Static	-1.0000
		EY	Static	-0.3000
COMB11	ADD	DEAD	Static	1.2000
		EX	Static	0.3000
		EY	Static	1.0000
		LIVE	Static	1.0000
COMB12	ADD	DEAD	Static	1.2000
		EX	Static	0.3000
		EY	Static	-1.0000
COMB13	ADD	LIVE	Static	1.0000
		DEAD	Static	1.2000
		EX	Static	-0.3000
		EY	Static	1.0000
		LIVE	Static	1.0000
COMB14	ADD	DEAD	Static	1.2000
		EX	Static	-0.3000
		EY	Static	-1.0000
		LIVE	Static	1.0000
COMB15	ADD	DEAD	Static	0.9000
		EX	Static	0.3000
		EY	Static	1.0000
COMB16	ADD	DEAD	Static	0.9000
		EX	Static	0.3000
		EY	Static	-1.0000
COMB17	ADD	DEAD	Static	0.9000
		EX	Static	-0.3000
		EY	Static	1.0000
COMB18	ADD	DEAD	Static	0.9000
		EX	Static	-0.3000
		EY	Static	-1.0000

COMB19	ADD	DEAD	Static	1.2000
		LIVE	Static	1.0000
COMB20	ADD	DEAD	Static	1.2000
COMB21	ADD	DEAD	Static	1.0000
		LIVE	Static	1.0000

ETABS v9.0.0 File:GEDUNG HOTEL GEMPA STATIS Units:KN-m August 18, 2010 8:15 PAGE 1

LOADING COMBINATIONS

COMBO	COMBO TYPE	CASE	CASE TYPE	SCALE FACTOR
COMB1	ADD	DEAD	Static	1.4000
COMB2	ADD	DEAD	Static	1.2000
		LIVE	Static	1.6000
COMB3	ADD	DEAD	Static	1.2000
		LIVE	Static	1.0000
		EX	Static	1.0000
		EY	Static	0.3000
COMB4	ADD	DEAD	Static	1.2000
		LIVE	Static	1.0000
		EX	Static	1.0000
		EY	Static	-0.3000
COMB5	ADD	DEAD	Static	1.2000
		LIVE	Static	1.0000
		EX	Static	-1.0000
		EY	Static	0.3000
COMB6	ADD	DEAD	Static	1.2000
		LIVE	Static	1.0000
		EX	Static	-1.0000
		EY	Static	-0.3000
COMB7	ADD	DEAD	Static	0.9000
		EX	Static	1.0000
		EY	Static	0.3000
COMB8	ADD	DEAD	Static	0.9000
		EX	Static	1.0000
		EY	Static	-0.3000
COMB9	ADD	DEAD	Static	0.9000
		EX	Static	-1.0000
		EY	Static	0.3000
COMB10	ADD	DEAD	Static	0.9000
		EX	Static	-1.0000
		EY	Static	-0.3000
COMB11	ADD	DEAD	Static	1.2000
		EX	Static	0.3000
		EY	Static	1.0000
		LIVE	Static	1.0000
COMB12	ADD	DEAD	Static	1.2000
		EX	Static	0.3000
		EY	Static	-1.0000
		LIVE	Static	1.0000
COMB13	ADD	DEAD	Static	1.2000
		EX	Static	-0.3000
		EY	Static	1.0000
		LIVE	Static	1.0000
COMB14	ADD	DEAD	Static	1.2000
		EX	Static	-0.3000
		EY	Static	-1.0000
		LIVE	Static	1.0000
COMB15	ADD	DEAD	Static	0.9000
		EX	Static	0.3000
		EY	Static	1.0000
COMB16	ADD	DEAD	Static	0.9000
		EX	Static	0.3000
		EY	Static	-1.0000
COMB17	ADD	DEAD	Static	0.9000
		EX	Static	-0.3000
		EY	Static	1.0000
COMB18	ADD	DEAD	Static	0.9000
		EX	Static	-0.3000
		EY	Static	-1.0000
COMB19	ADD	DEAD	Static	1.2000
		LIVE	Static	1.0000
COMB20	ADD	DEAD	Static	1.2000
COMB21	ADD	DEAD	Static	1.0000
		LIVE	Static	1.0000

ETABS v9.0.0 File:GEDUNG HOTEL GEMPA STATIS Units:KN-m August 18, 2010 8:15 PAGE 2

COLUMN FORCE ENVELOPES

STORY	COLUMN	ITEM	P	V2	V3	T	M2	M3
ATAP	C1	Min Value	-128.73	-49.02	-42.04	-0.018	-71.126	-82.299
		Min Case	COMB2	COMB6	COMB14	COMB11	COMB14	COMB2
		Max Value	2.35	4.01	4.52	0.012	59.213	70.397
		Max Case	EY	EX	EY	COMB18	COMB14	COMB6
ATAP	C2	Min Value	-230.18	-13.29	-66.24	-0.008	-113.328	-26.663
		Min Case	COMB2	COMB6	COMB2	COMB8	COMB2	COMB6
		Max Value	2.35	8.54	4.79	0.008	92.031	14.663

		Max Case	EY	EX	EY	COMB5	COMB2	EX
ATAP	C3	Min Value	-223.36	-8.86	-62.67	-0.008	-109.080	-14.529
		Min Case	COMB2	COMB5	COMB2	COMB8	COMB2	COMB9
		Max Value	2.34	8.71	4.78	0.008	85.182	15.425
		Max Case	EY	EX	EY	COMB5	COMB2	COMB4
ATAP	C4	Min Value	-223.36	-8.63	-62.67	-0.008	-109.080	-15.425
		Min Case	COMB2	COMB10	COMB2	COMB8	COMB2	COMB6
		Max Value	2.34	8.86	4.78	0.008	85.182	14.821
		Max Case	EY	COMB3	EY	COMB5	COMB2	EX
ATAP	C5	Min Value	-230.18	-6.56	-66.24	-0.008	-113.328	-14.536
		Min Case	COMB2	COMB9	COMB2	COMB8	COMB2	COMB4
		Max Value	2.35	13.29	4.79	0.008	92.031	26.663
		Max Case	EY	COMB4	EY	COMB5	COMB2	COMB4
ATAP	C6	Min Value	-128.73	-0.14	-42.04	-0.012	-71.126	-70.397
		Min Case	COMB2	EY	COMB12	COMB16	COMB12	COMB4
		Max Value	2.35	49.02	4.52	0.018	59.213	82.299
		Max Case	EY	COMB4	EY	COMB13	COMB12	COMB2
ATAP	C7	Min Value	-240.26	-98.97	-15.86	-0.008	-29.789	-171.110
		Min Case	COMB2	COMB2	COMB12	COMB8	COMB12	COMB2
		Max Value	2.14	4.03	9.40	0.008	19.427	135.710
		Max Case	EX	EX	EY	COMB5	COMB14	COMB2
ATAP	C8	Min Value	-452.92	-4.29	-19.09	-0.008	-38.165	-17.599
		Min Case	COMB2	COMB5	COMB14	COMB8	COMB14	COMB3
		Max Value	0.40	13.02	9.58	0.008	21.025	23.171
		Max Case	EY	COMB8	EY	COMB5	COMB14	COMB8
ATAP	C9	Min Value	-475.48	-13.89	-18.53	-0.008	-29.671	-19.367
		Min Case	COMB2	COMB6	COMB14	COMB8	COMB14	COMB6
		Max Value	0.46	8.93	9.64	0.008	27.787	23.685
		Max Case	EY	EX	EY	COMB5	COMB14	COMB5
ATAP	C10	Min Value	-475.48	-5.06	-18.53	-0.008	-29.671	-23.685
		Min Case	COMB2	COMB9	COMB12	COMB8	COMB12	COMB3
		Max Value	0.46	13.89	9.64	0.008	27.787	19.367
		Max Case	EY	COMB4	EY	COMB5	COMB12	COMB4
ATAP	C11	Min Value	-452.92	-13.02	-19.09	-0.008	-38.165	-23.171
		Min Case	COMB2	COMB10	COMB12	COMB8	COMB12	COMB10
		Max Value	0.40	8.60	9.58	0.008	21.025	17.599
		Max Case	EY	EX	EY	COMB5	COMB12	COMB5
ATAP	C12	Min Value	-240.26	-0.04	-15.86	-0.008	-29.789	-135.710
		Min Case	COMB2	EY	COMB14	COMB8	COMB14	COMB2
		Max Value	0.27	98.97	9.40	0.008	19.427	171.110
		Max Case	EY	COMB2	EY	COMB5	COMB12	COMB2
ATAP	C13	Min Value	-238.68	-102.15	-7.44	-0.008	-16.961	-180.630
		Min Case	COMB2	COMB2	COMB18	COMB8	COMB11	COMB2
		Max Value	2.18	3.84	12.64	0.008	22.224	136.033
		Max Case	EX	EX	COMB11	COMB5	COMB11	COMB2
ATAP	C14	Min Value	-449.36	-4.36	-8.04	-0.008	-16.819	-15.294
		Min Case	COMB2	COMB10	COMB18	COMB8	COMB11	COMB3
		Max Value	0.04	13.57	13.12	0.008	23.850	26.765
		Max Case	EX	COMB3	COMB11	COMB5	COMB11	COMB3
ATAP	C15	Min Value	-449.78	-12.22	-11.19	-0.008	-22.959	-23.808
		Min Case	COMB2	COMB6	COMB16	COMB8	COMB12	COMB6
		Max Value	0.00	8.84	9.61	0.008	16.631	15.020
		Max Case	RAIN	EX	EY	COMB5	EY	EX
ATAP	C16	Min Value	-449.78	-6.12	-11.19	-0.008	-22.959	-14.082
		Min Case	COMB2	COMB9	COMB18	COMB8	COMB14	COMB4
		Max Value	0.08	12.22	9.61	0.008	16.631	23.808
		Max Case	EX	COMB4	EY	COMB5	EY	COMB4
ATAP	C17	Min Value	-449.36	-13.57	-8.04	-0.008	-16.819	-26.765
		Min Case	COMB2	COMB5	COMB16	COMB8	COMB13	COMB5
		Max Value	0.00	8.58	13.12	0.008	23.850	15.294
		Max Case	RAIN	EX	COMB13	COMB5	COMB13	COMB5
ATAP	C18	Min Value	-238.68	0.00	-7.44	-0.008	-16.961	-136.033
		Min Case	COMB2	RAIN	COMB16	COMB8	COMB13	COMB2
		Max Value	0.00	102.15	12.64	0.008	22.224	180.630
		Max Case	RAIN	COMB2	COMB13	COMB5	COMB13	COMB2
ATAP	C19	Min Value	-129.11	-54.08	-0.03	-0.008	-59.040	-98.584
		Min Case	COMB2	COMB2	EX	COMB8	COMB11	COMB2
		Max Value	2.17	3.83	46.02	0.008	84.729	70.502
		Max Case	EX	EX	COMB13	COMB5	COMB2	COMB5
ATAP	C20	Min Value	-231.11	-9.60	-0.03	-0.008	-94.232	-16.122
		Min Case	COMB2	COMB5	EX	COMB8	COMB2	COMB5
		Max Value	0.11	8.61	72.91	0.008	131.798	14.740
		Max Case	EX	EX	COMB2	COMB5	COMB2	EX
ATAP	C21	Min Value	-228.39	-9.08	-0.01	-0.008	-91.254	-15.835
		Min Case	COMB2	COMB5	EX	COMB8	COMB2	COMB5

		Max Value	0.00	8.78	71.63	0.008	130.798	14.893
		Max Case	RAIN	EX	COMB2	COMB5	COMB2	EX
ATAP	C22	Min Value	-228.39	-8.58	0.00	-0.008	-91.254	-14.250
		Min Case	COMB2	COMB10	RAIN	COMB8	COMB2	COMB10
		Max Value	0.08	9.08	71.63	0.008	130.798	15.835
		Max Case	EX	COMB3	COMB2	COMB5	COMB2	COMB3
ATAP	C23	Min Value	-231.11	-8.18	0.00	-0.008	-94.232	-14.151
		Min Case	COMB2	COMB10	RAIN	COMB8	COMB2	COMB10
		Max Value	0.00	9.60	72.91	0.008	131.798	16.122
		Max Case	RAIN	COMB3	COMB2	COMB5	COMB2	COMB3
ATAP	C24	Min Value	-129.11	0.00	0.00	-0.008	-59.040	-70.502
		Min Case	COMB2	RAIN	RAIN	COMB8	COMB13	COMB3
		Max Value	0.00	54.08	46.02	0.008	84.729	98.584
		Max Case	RAIN	COMB2	COMB11	COMB5	COMB2	COMB2
LT 9	C1	Min Value	-326.30	-45.61	-43.74	-0.049	-72.299	-75.791
		Min Case	COMB1	COMB6	COMB14	EX	COMB14	COMB6
		Max Value	10.89	13.90	14.61	0.068	58.916	61.036
		Max Case	EY	EX	EY	COMB5	COMB14	COMB6
LT 9	C2	Min Value	-642.69	-29.11	-57.59	-0.040	-96.003	-48.834
		Min Case	COMB2	COMB6	COMB14	COMB4	COMB14	COMB6
		Max Value	11.06	20.26	15.22	0.040	76.778	38.499
		Max Case	EY	EX	EY	COMB9	COMB14	COMB6
LT 9	C3	Min Value	-658.98	-19.75	-56.77	-0.040	-94.250	-33.008
		Min Case	COMB2	COMB9	COMB14	COMB4	COMB14	COMB9
		Max Value	11.02	20.92	15.22	0.040	76.074	34.682
		Max Case	EY	COMB4	EY	COMB9	COMB14	COMB4
LT 9	C4	Min Value	-658.98	-20.92	-56.77	-0.040	-94.250	-34.682
		Min Case	COMB2	COMB6	COMB12	COMB4	COMB12	COMB6
		Max Value	11.02	20.16	15.22	0.040	76.074	33.601
		Max Case	EY	EX	EY	COMB9	COMB12	EX
LT 9	C5	Min Value	-642.69	-16.03	-57.59	-0.040	-96.003	-38.499
		Min Case	COMB2	COMB9	COMB12	COMB4	COMB12	COMB4
		Max Value	11.06	29.11	15.22	0.040	76.778	48.834
		Max Case	EY	COMB4	EY	COMB9	COMB12	COMB4
LT 9	C6	Min Value	-326.30	-0.22	-43.74	-0.068	-72.299	-61.036
		Min Case	COMB1	EY	COMB12	COMB3	COMB12	COMB4
		Max Value	10.89	45.61	14.61	0.041	58.916	75.791
		Max Case	EY	COMB4	EY	COMB10	COMB12	COMB4
LT 9	C7	Min Value	-697.89	-79.62	-30.79	-0.040	-51.679	-132.686
		Min Case	COMB2	COMB5	COMB14	COMB4	COMB14	COMB5
		Max Value	10.36	14.40	21.60	0.040	40.699	106.174
		Max Case	EX	EX	EY	COMB9	COMB14	COMB5
LT 9	C8	Min Value	-1218.71	-17.82	-37.19	-0.040	-62.594	-32.828
		Min Case	COMB2	COMB5	COMB14	COMB4	COMB14	COMB8
		Max Value	0.00	24.46	21.89	0.040	48.984	40.539
		Max Case	RAIN	COMB8	EY	COMB9	COMB14	COMB8
LT 9	C9	Min Value	-1150.28	-20.20	-27.35	-0.040	-46.655	-33.855
		Min Case	COMB2	COMB10	COMB14	COMB4	COMB14	COMB10
		Max Value	0.12	22.48	21.95	0.040	36.800	37.252
		Max Case	EX	COMB3	EY	COMB9	EY	COMB3
LT 9	C10	Min Value	-1150.28	-22.48	-27.35	-0.040	-46.655	-37.252
		Min Case	COMB2	COMB5	COMB12	COMB4	COMB12	COMB5
		Max Value	0.05	20.62	21.95	0.040	36.800	34.416
		Max Case	EY	EX	EY	COMB9	EY	EX
LT 9	C11	Min Value	-1218.71	-24.46	-37.19	-0.040	-62.594	-40.539
		Min Case	COMB2	COMB10	COMB12	COMB4	COMB12	COMB10
		Max Value	0.72	20.57	21.89	0.040	48.984	34.322
		Max Case	EX	EX	EY	COMB9	COMB12	EX
LT 9	C12	Min Value	-697.89	0.00	-30.79	-0.040	-51.679	-106.174
		Min Case	COMB2	RAIN	COMB12	COMB4	COMB12	COMB3
		Max Value	0.00	79.62	21.60	0.040	40.699	132.686
		Max Case	RAIN	COMB3	EY	COMB9	COMB12	COMB3
LT 9	C13	Min Value	-738.53	-84.74	-20.18	-0.040	-33.454	-140.395
		Min Case	COMB2	COMB6	COMB18	COMB4	COMB18	COMB6
		Max Value	10.27	13.90	24.29	0.040	41.008	113.826
		Max Case	EX	EX	COMB11	COMB9	COMB11	COMB6
LT 9	C14	Min Value	-1276.86	-15.02	-19.99	-0.040	-33.712	-37.880
		Min Case	COMB2	COMB9	COMB18	COMB4	COMB11	COMB4
		Max Value	0.06	27.77	25.77	0.040	43.583	45.417
		Max Case	EY	COMB4	COMB11	COMB9	COMB11	COMB4
LT 9	C15	Min Value	-1220.29	-26.79	-28.78	-0.040	-47.477	-44.425
		Min Case	COMB2	COMB6	COMB14	COMB4	COMB14	COMB6
		Max Value	0.02	20.72	21.92	0.040	38.870	35.942
		Max Case	EY	EX	EY	COMB9	COMB14	COMB6
LT 9	C16	Min Value	-1220.29	-15.88	-28.78	-0.040	-47.477	-35.942

		Min Case	COMB2	COMB9	COMB12	COMB4	COMB12	COMB4
		Max Value	0.02	26.79	21.92	0.040	38.870	44.425
		Max Case	EX	COMB4	EY	COMB9	COMB12	COMB4
LT 9	C17	Min Value	-1276.86	-27.77	-19.99	-0.040	-33.712	-45.417
		Min Case	COMB2	COMB6	COMB16	COMB4	COMB13	COMB6
		Max Value	0.77	20.68	25.77	0.040	43.583	37.880
		Max Case	EX	EX	COMB13	COMB9	COMB13	COMB6
LT 9	C18	Min Value	-738.53	-0.04	-20.18	-0.040	-33.454	-113.826
		Min Case	COMB2	EY	COMB16	COMB4	COMB16	COMB4
		Max Value	0.38	84.74	24.29	0.040	41.008	140.395
		Max Case	EY	COMB4	COMB13	COMB9	COMB13	COMB4
LT 9	C19	Min Value	-402.01	-55.54	0.00	-0.040	-69.412	-91.145
		Min Case	COMB2	COMB5	RAIN	COMB4	COMB11	COMB5
		Max Value	10.14	14.01	51.12	0.040	83.943	75.485
		Max Case	EX	EX	COMB11	COMB9	COMB11	COMB5
LT 9	C20	Min Value	-712.56	-22.10	0.00	-0.040	-91.931	-37.469
		Min Case	COMB2	COMB5	RAIN	COMB4	COMB11	COMB6
		Max Value	0.00	20.93	68.53	0.040	113.655	34.861
		Max Case	RAIN	EX	COMB11	COMB9	COMB11	EX
LT 9	C21	Min Value	-708.07	-21.42	0.00	-0.040	-92.420	-35.509
		Min Case	COMB2	COMB5	RAIN	COMB4	COMB11	COMB5
		Max Value	0.00	20.83	68.64	0.040	113.507	34.660
		Max Case	RAIN	EX	COMB11	COMB9	COMB11	EX
LT 9	C22	Min Value	-708.07	-20.42	-0.08	-0.040	-92.420	-34.082
		Min Case	COMB2	COMB10	EX	COMB4	COMB13	COMB10
		Max Value	0.14	21.42	68.64	0.040	113.507	35.509
		Max Case	EX	COMB3	COMB13	COMB9	COMB13	COMB3
LT 9	C23	Min Value	-712.56	-20.30	-0.23	-0.040	-91.931	-33.403
		Min Case	COMB2	COMB10	EX	COMB4	COMB13	COMB9
		Max Value	0.75	22.10	68.53	0.040	113.655	37.469
		Max Case	EX	COMB3	COMB13	COMB9	COMB13	COMB4
LT 9	C24	Min Value	-402.01	0.00	-0.38	-0.040	-69.412	-75.485
		Min Case	COMB2	RAIN	EX	COMB4	COMB13	COMB3
		Max Value	0.00	55.54	51.12	0.040	83.943	91.145
		Max Case	RAIN	COMB3	COMB13	COMB9	COMB13	COMB3
LT 8	C1	Min Value	-546.40	-70.03	-65.97	-0.170	-108.248	-115.195
		Min Case	COMB1	COMB6	COMB14	COMB3	COMB14	COMB6
		Max Value	26.49	17.40	18.93	0.091	89.648	94.903
		Max Case	EY	EX	EY	COMB10	COMB14	COMB6
LT 8	C2	Min Value	-1067.11	-49.59	-92.28	-0.129	-153.461	-82.963
		Min Case	COMB2	COMB6	COMB14	COMB4	COMB14	COMB6
		Max Value	27.17	33.48	20.21	0.129	123.375	65.794
		Max Case	EY	EX	EY	COMB9	COMB14	COMB6
LT 8	C3	Min Value	-1108.24	-32.72	-89.79	-0.129	-149.379	-53.628
		Min Case	COMB2	COMB9	COMB14	COMB4	COMB14	COMB9
		Max Value	27.08	33.67	20.18	0.129	119.987	55.226
		Max Case	EY	COMB4	EY	COMB9	COMB14	COMB4
LT 8	C4	Min Value	-1108.24	-33.67	-89.79	-0.129	-149.379	-55.226
		Min Case	COMB2	COMB6	COMB12	COMB4	COMB12	COMB6
		Max Value	27.08	33.09	20.18	0.129	119.987	54.247
		Max Case	EY	EX	EY	COMB9	COMB12	EX
LT 8	C5	Min Value	-1067.11	-25.51	-92.28	-0.129	-153.461	-65.794
		Min Case	COMB2	COMB9	COMB12	COMB4	COMB12	COMB4
		Max Value	27.17	49.59	20.21	0.129	123.375	82.963
		Max Case	EY	COMB4	EY	COMB9	COMB12	COMB4
LT 8	C6	Min Value	-546.40	-0.55	-65.97	-0.119	-108.248	-94.903
		Min Case	COMB1	EY	COMB12	EX	COMB12	COMB4
		Max Value	26.49	70.03	18.93	0.170	89.648	115.195
		Max Case	EY	COMB4	EY	COMB5	COMB12	COMB4
LT 8	C7	Min Value	-1169.54	-128.04	-52.54	-0.129	-87.796	-214.324
		Min Case	COMB2	COMB5	COMB14	COMB4	COMB14	COMB5
		Max Value	25.34	18.27	36.72	0.129	69.820	169.808
		Max Case	EX	EX	EY	COMB9	COMB14	COMB5
LT 8	C8	Min Value	-1980.17	-32.02	-64.45	-0.129	-108.600	-53.334
		Min Case	COMB2	COMB5	COMB14	COMB4	COMB14	COMB8
		Max Value	0.00	39.37	37.68	0.129	84.746	64.777
		Max Case	RAIN	COMB8	EY	COMB9	COMB14	COMB8
LT 8	C9	Min Value	-1831.82	-34.05	-49.45	-0.129	-82.744	-55.884
		Min Case	COMB2	COMB10	COMB14	COMB4	COMB14	COMB10
		Max Value	0.73	36.60	37.85	0.129	65.600	60.370
		Max Case	EX	COMB3	EY	COMB9	COMB14	COMB3
LT 8	C10	Min Value	-1831.82	-36.60	-49.45	-0.129	-82.744	-60.370
		Min Case	COMB2	COMB5	COMB12	COMB4	COMB12	COMB5
		Max Value	0.00	34.32	37.85	0.129	65.600	56.406
		Max Case	RAIN	EX	EY	COMB9	COMB12	EX

LT 8	C11	Min Value	-1980.17	-39.37	-64.45	-0.129	-108.600	-64.777
		Min Case	COMB2	COMB10	COMB12	COMB4	COMB12	COMB10
		Max Value	2.50	34.20	37.68	0.129	84.746	56.193
		Max Case	EX	EX	EY	COMB9	COMB12	EX
LT 8	C12	Min Value	-1169.54	0.00	-52.54	-0.129	-87.796	-169.808
		Min Case	COMB2	RAIN	COMB12	COMB4	COMB12	COMB3
		Max Value	0.00	128.04	36.72	0.129	69.820	214.324
		Max Case	RAIN	COMB3	EY	COMB9	COMB12	COMB3
LT 8	C13	Min Value	-1248.72	-133.43	-33.11	-0.129	-57.859	-223.774
		Min Case	COMB2	COMB6	COMB18	COMB4	COMB11	COMB2
		Max Value	24.92	16.84	43.13	0.129	71.537	177.128
		Max Case	EX	EX	COMB11	COMB9	COMB11	COMB6
LT 8	C14	Min Value	-2096.23	-26.81	-33.55	-0.129	-61.584	-57.815
		Min Case	COMB2	COMB9	COMB18	COMB4	COMB11	COMB4
		Max Value	1.37	42.75	46.21	0.129	77.056	70.425
		Max Case	EY	COMB4	COMB11	COMB9	COMB11	COMB4
LT 8	C15	Min Value	-1993.04	-43.94	-46.41	-0.129	-77.461	-72.934
		Min Case	COMB2	COMB6	COMB14	COMB4	COMB14	COMB6
		Max Value	1.23	34.44	37.78	0.129	62.588	58.878
		Max Case	EY	EX	EY	COMB9	EY	COMB6
LT 8	C16	Min Value	-1993.04	-26.84	-46.41	-0.129	-77.461	-58.878
		Min Case	COMB2	COMB9	COMB12	COMB4	COMB12	COMB4
		Max Value	1.23	43.94	37.78	0.129	62.588	72.934
		Max Case	EY	COMB4	EY	COMB9	EY	COMB4
LT 8	C17	Min Value	-2096.23	-42.75	-33.55	-0.129	-61.584	-70.425
		Min Case	COMB2	COMB6	COMB16	COMB4	COMB13	COMB6
		Max Value	1.85	34.31	46.21	0.129	77.056	57.815
		Max Case	EX	EX	COMB13	COMB9	COMB13	COMB6
LT 8	C18	Min Value	-1248.72	-0.17	-33.11	-0.129	-57.859	-177.128
		Min Case	COMB2	EY	COMB16	COMB4	COMB13	COMB4
		Max Value	1.59	133.43	43.13	0.129	71.537	223.774
		Max Case	EY	COMB4	COMB13	COMB9	COMB13	COMB2
LT 8	C19	Min Value	-694.36	-84.03	0.00	-0.129	-105.314	-138.999
		Min Case	COMB2	COMB5	RAIN	COMB4	COMB11	COMB5
		Max Value	24.40	17.01	78.15	0.129	129.134	113.103
		Max Case	EX	EX	COMB11	COMB9	COMB11	COMB5
LT 8	C20	Min Value	-1204.85	-39.41	0.00	-0.129	-145.278	-65.210
		Min Case	COMB2	COMB6	RAIN	COMB4	COMB11	COMB6
		Max Value	0.00	34.88	109.17	0.129	182.241	57.213
		Max Case	RAIN	EX	COMB11	COMB9	COMB11	EX
LT 8	C21	Min Value	-1203.36	-35.10	0.00	-0.129	-143.988	-57.563
		Min Case	COMB2	COMB5	RAIN	COMB4	COMB11	COMB5
		Max Value	0.00	34.56	108.21	0.129	180.638	56.604
		Max Case	RAIN	EX	COMB11	COMB9	COMB11	EX
LT 8	C22	Min Value	-1203.36	-34.19	-0.14	-0.129	-143.988	-55.968
		Min Case	COMB2	COMB10	EX	COMB4	COMB13	COMB10
		Max Value	0.26	35.10	108.21	0.129	180.638	57.563
		Max Case	EX	COMB3	COMB13	COMB9	COMB13	COMB3
LT 8	C23	Min Value	-1204.85	-32.26	-0.41	-0.129	-145.278	-53.017
		Min Case	COMB2	COMB9	EX	COMB4	COMB13	COMB4
		Max Value	2.14	39.41	109.17	0.129	182.241	65.210
		Max Case	EX	COMB4	COMB13	COMB9	COMB13	COMB4
LT 8	C24	Min Value	-694.36	0.00	-0.66	-0.129	-105.314	-113.103
		Min Case	COMB2	RAIN	EX	COMB4	COMB13	COMB3
		Max Value	0.00	84.03	78.15	0.129	129.134	138.999
		Max Case	RAIN	COMB3	COMB13	COMB9	COMB13	COMB3
LT 7	C1	Min Value	-769.71	-65.22	-62.80	-0.208	-103.963	-108.234
		Min Case	COMB1	COMB6	COMB14	EX	COMB14	COMB6
		Max Value	47.65	26.48	27.99	0.242	84.446	87.426
		Max Case	EY	EX	EY	COMB5	COMB14	COMB6
LT 7	C2	Min Value	-1492.30	-54.50	-81.21	-0.175	-135.117	-91.240
		Min Case	COMB2	COMB6	COMB14	COMB4	COMB14	COMB6
		Max Value	49.19	42.01	29.62	0.175	108.506	72.271
		Max Case	EY	EX	EY	COMB9	COMB14	COMB6
LT 7	C3	Min Value	-1559.50	-41.43	-79.60	-0.175	-132.472	-69.101
		Min Case	COMB2	COMB9	COMB14	COMB4	COMB14	COMB9
		Max Value	49.02	41.97	29.59	0.175	106.338	69.908
		Max Case	EY	COMB4	EY	COMB9	COMB14	COMB4
LT 7	C4	Min Value	-1559.50	-41.97	-79.60	-0.175	-132.472	-69.908
		Min Case	COMB2	COMB6	COMB12	COMB4	COMB12	COMB6
		Max Value	49.02	41.65	29.59	0.175	106.338	69.433
		Max Case	EY	EX	EY	COMB9	COMB12	EX
LT 7	C5	Min Value	-1492.30	-35.73	-81.21	-0.175	-135.117	-72.271
		Min Case	COMB2	COMB9	COMB12	COMB4	COMB12	COMB4
		Max Value	49.19	54.50	29.62	0.175	108.506	91.240
		Max Case	EY	COMB4	EY	COMB9	COMB12	COMB4

LT 7	C6	Min Value	-769.71	-1.66	-62.80	-0.242	-103.963	-87.426
		Min Case	COMB1	COMB9	COMB12	COMB3	COMB12	COMB4
		Max Value	47.65	65.22	27.99	0.195	84.446	108.234
		Max Case	EY	COMB4	EY	COMB10	COMB12	COMB4
LT 7	C7	Min Value	-1643.48	-106.84	-56.84	-0.175	-95.032	-178.498
		Min Case	COMB2	COMB5	COMB14	COMB4	COMB14	COMB5
		Max Value	45.71	27.79	45.30	0.175	75.690	142.032
		Max Case	EX	EX	EY	COMB9	EY	COMB5
LT 7	C8	Min Value	-2735.97	-42.03	-66.34	-0.175	-111.323	-70.169
		Min Case	COMB2	COMB5	COMB14	COMB4	COMB14	COMB5
		Max Value	0.00	46.23	46.34	0.175	87.687	77.108
		Max Case	RAIN	COMB8	EY	COMB9	COMB14	COMB8
LT 7	C9	Min Value	-2511.11	-42.84	-54.99	-0.175	-92.157	-71.530
		Min Case	COMB2	COMB10	COMB14	COMB4	COMB14	COMB10
		Max Value	1.76	44.71	46.52	0.175	77.878	74.566
		Max Case	EX	COMB3	EY	COMB9	EY	COMB3
LT 7	C10	Min Value	-2511.11	-44.71	-54.99	-0.175	-92.157	-74.566
		Min Case	COMB2	COMB5	COMB12	COMB4	COMB12	COMB5
		Max Value	0.00	43.05	46.52	0.175	77.878	71.835
		Max Case	RAIN	EX	EY	COMB9	EY	EX
LT 7	C11	Min Value	-2735.97	-46.23	-66.34	-0.175	-111.323	-77.108
		Min Case	COMB2	COMB10	COMB12	COMB4	COMB12	COMB10
		Max Value	4.85	42.87	46.34	0.175	87.687	71.469
		Max Case	EX	EX	EY	COMB9	COMB12	EX
LT 7	C12	Min Value	-1643.48	0.00	-56.84	-0.175	-95.032	-142.032
		Min Case	COMB2	RAIN	COMB12	COMB4	COMB12	COMB3
		Max Value	0.00	106.84	45.30	0.175	75.690	178.498
		Max Case	RAIN	COMB3	EY	COMB9	EY	COMB3
LT 7	C13	Min Value	-1760.13	-110.22	-42.61	-0.175	-71.106	-183.883
		Min Case	COMB2	COMB6	COMB18	COMB4	COMB18	COMB6
		Max Value	44.75	26.52	50.39	0.175	84.203	146.765
		Max Case	EX	EX	COMB11	COMB9	COMB11	COMB6
LT 7	C14	Min Value	-2909.42	-37.83	-43.23	-0.175	-72.341	-65.030
		Min Case	COMB2	COMB9	COMB18	COMB4	COMB18	COMB4
		Max Value	3.21	48.80	53.02	0.175	88.754	81.363
		Max Case	EY	COMB4	COMB11	COMB9	COMB11	COMB4
LT 7	C15	Min Value	-2763.03	-50.63	-52.84	-0.175	-88.654	-84.705
		Min Case	COMB2	COMB6	COMB14	COMB4	COMB14	COMB6
		Max Value	2.91	43.27	46.46	0.175	77.773	72.145
		Max Case	EY	EX	EY	COMB9	EY	EX
LT 7	C16	Min Value	-2763.03	-37.43	-52.84	-0.175	-88.654	-67.189
		Min Case	COMB2	COMB9	COMB12	COMB4	COMB12	COMB4
		Max Value	2.91	50.63	46.46	0.175	77.773	84.705
		Max Case	EY	COMB4	EY	COMB9	EY	COMB4
LT 7	C17	Min Value	-2909.42	-48.80	-43.23	-0.175	-72.341	-81.363
		Min Case	COMB2	COMB6	COMB16	COMB4	COMB16	COMB6
		Max Value	3.21	43.07	53.02	0.175	88.754	71.726
		Max Case	EY	EX	COMB13	COMB9	COMB13	EX
LT 7	C18	Min Value	-1760.13	-0.18	-42.61	-0.175	-71.106	-146.765
		Min Case	COMB2	EY	COMB16	COMB4	COMB16	COMB4
		Max Value	3.13	110.22	50.39	0.175	84.203	183.883
		Max Case	EY	COMB4	COMB13	COMB9	COMB13	COMB4
LT 7	C19	Min Value	-990.60	-74.86	-1.91	-0.175	-95.460	-124.108
		Min Case	COMB2	COMB5	COMB18	COMB4	COMB11	COMB5
		Max Value	43.66	26.82	71.13	0.175	117.933	100.481
		Max Case	EX	EX	COMB11	COMB9	COMB11	COMB5
LT 7	C20	Min Value	-1697.92	-47.52	0.00	-0.175	-125.212	-79.305
		Min Case	COMB2	COMB6	RAIN	COMB4	COMB11	COMB6
		Max Value	0.00	43.76	93.93	0.175	156.588	72.855
		Max Case	RAIN	EX	COMB11	COMB9	COMB11	EX
LT 7	C21	Min Value	-1701.00	-43.93	0.00	-0.175	-124.209	-73.182
		Min Case	COMB2	COMB5	RAIN	COMB4	COMB11	COMB5
		Max Value	0.00	43.49	93.15	0.175	155.252	72.432
		Max Case	RAIN	EX	COMB11	COMB9	COMB11	EX
LT 7	C22	Min Value	-1701.00	-43.20	-0.20	-0.175	-124.209	-71.954
		Min Case	COMB2	COMB10	EX	COMB4	COMB13	COMB10
		Max Value	0.41	43.93	93.15	0.175	155.252	73.182
		Max Case	EX	COMB3	COMB13	COMB9	COMB13	COMB3
LT 7	C23	Min Value	-1697.92	-41.54	-0.59	-0.175	-125.212	-69.054
		Min Case	COMB2	COMB9	EX	COMB4	COMB13	COMB9
		Max Value	3.84	47.52	93.93	0.175	156.588	79.305
		Max Case	EX	COMB4	COMB13	COMB9	COMB13	COMB4
LT 7	C24	Min Value	-990.60	0.00	-1.91	-0.175	-95.460	-100.481
		Min Case	COMB2	RAIN	COMB16	COMB4	COMB13	COMB3
		Max Value	0.00	74.86	71.13	0.175	117.933	124.108

		Max Case	RAIN	COMB3	COMB13	COMB9	COMB13	COMB3
LT 6	C1	Min Value	-1020.23	-80.51	-76.48	-0.403	-125.413	-132.566
		Min Case	COMB14	COMB6	COMB14	COMB3	COMB14	COMB6
		Max Value	74.40	26.78	29.11	0.318	104.042	108.972
		Max Case	EY	EX	EY	COMB10	COMB14	COMB6
LT 6	C2	Min Value	-1929.08	-71.94	-105.70	-0.384	-175.583	-119.730
		Min Case	COMB2	COMB6	COMB14	COMB4	COMB14	COMB6
		Max Value	77.12	53.40	31.20	0.384	141.521	96.098
		Max Case	EY	EX	EY	COMB9	COMB14	COMB6
LT 6	C3	Min Value	-2022.69	-52.69	-103.76	-0.384	-172.466	-86.908
		Min Case	COMB2	COMB9	COMB14	COMB4	COMB14	COMB5
		Max Value	76.87	53.12	31.13	0.384	138.809	87.575
		Max Case	EY	COMB4	EY	COMB9	COMB14	COMB8
LT 6	C4	Min Value	-2022.69	-53.12	-103.76	-0.384	-172.466	-87.575
		Min Case	COMB2	COMB6	COMB12	COMB4	COMB12	COMB10
		Max Value	76.87	52.88	31.13	0.384	138.809	87.197
		Max Case	EY	EX	EY	COMB9	COMB12	EX
LT 6	C5	Min Value	-1929.08	-44.02	-105.70	-0.384	-175.583	-96.098
		Min Case	COMB2	COMB9	COMB12	COMB4	COMB12	COMB4
		Max Value	77.12	71.94	31.20	0.384	141.521	119.730
		Max Case	EY	COMB4	EY	COMB9	COMB12	COMB4
LT 6	C6	Min Value	-1020.23	-0.90	-76.48	-0.343	-125.413	-108.972
		Min Case	COMB12	EY	COMB12	EX	COMB12	COMB4
		Max Value	74.40	80.51	29.11	0.403	104.042	132.566
		Max Case	EY	COMB4	EY	COMB5	COMB12	COMB4
LT 6	C7	Min Value	-2130.49	-143.25	-75.17	-0.384	-124.961	-239.857
		Min Case	COMB2	COMB5	COMB14	COMB4	COMB14	COMB5
		Max Value	71.44	28.19	58.93	0.384	100.542	189.900
		Max Case	EX	EX	EY	COMB9	COMB14	COMB5
LT 6	C8	Min Value	-3500.65	-53.80	-90.00	-0.384	-150.498	-88.716
		Min Case	COMB2	COMB5	COMB14	COMB4	COMB14	COMB5
		Max Value	0.00	59.56	60.98	0.384	119.488	98.585
		Max Case	RAIN	COMB8	EY	COMB9	COMB14	COMB8
LT 6	C9	Min Value	-3199.91	-55.22	-73.36	-0.384	-122.117	-91.315
		Min Case	COMB2	COMB10	COMB14	COMB4	COMB14	COMB10
		Max Value	3.23	57.31	61.32	0.384	101.933	94.668
		Max Case	EX	COMB3	EY	COMB9	EY	COMB3
LT 6	C10	Min Value	-3199.91	-57.31	-73.36	-0.384	-122.117	-94.668
		Min Case	COMB2	COMB5	COMB12	COMB4	COMB12	COMB5
		Max Value	0.00	55.27	61.32	0.384	101.933	91.318
		Max Case	RAIN	EX	EY	COMB9	EY	EX
LT 6	C11	Min Value	-3500.65	-59.56	-90.00	-0.384	-150.498	-98.585
		Min Case	COMB2	COMB10	COMB12	COMB4	COMB12	COMB10
		Max Value	7.45	54.75	60.98	0.384	119.488	90.372
		Max Case	EX	EX	EY	COMB9	COMB12	EX
LT 6	C12	Min Value	-2130.49	0.00	-75.17	-0.384	-124.961	-189.900
		Min Case	COMB2	RAIN	COMB12	COMB4	COMB12	COMB3
		Max Value	0.00	143.25	58.93	0.384	100.542	239.857
		Max Case	RAIN	COMB3	EY	COMB9	COMB12	COMB3
LT 6	C13	Min Value	-2283.54	-147.00	-55.20	-0.384	-91.344	-245.910
		Min Case	COMB2	COMB6	COMB18	COMB4	COMB18	COMB6
		Max Value	69.68	25.70	65.74	0.384	109.070	195.099
		Max Case	EX	EX	COMB11	COMB9	COMB11	COMB6
LT 6	C14	Min Value	-3731.30	-47.09	-56.88	-0.384	-94.446	-84.897
		Min Case	COMB2	COMB10	COMB18	COMB4	COMB18	COMB3
		Max Value	5.17	63.31	69.98	0.384	116.403	105.034
		Max Case	EY	COMB3	COMB11	COMB9	COMB11	COMB3
LT 6	C15	Min Value	-3543.04	-66.84	-71.47	-0.384	-119.530	-111.173
		Min Case	COMB2	COMB6	COMB14	COMB4	COMB14	COMB6
		Max Value	4.65	55.41	61.21	0.384	101.746	91.446
		Max Case	EY	EX	EY	COMB9	EY	EX
LT 6	C16	Min Value	-3543.04	-46.41	-71.47	-0.384	-119.530	-89.338
		Min Case	COMB2	COMB9	COMB12	COMB4	COMB12	COMB4
		Max Value	4.65	66.84	61.21	0.384	101.746	111.173
		Max Case	EY	COMB4	EY	COMB9	EY	COMB4
LT 6	C17	Min Value	-3731.30	-63.31	-56.88	-0.384	-94.446	-105.034
		Min Case	COMB2	COMB5	COMB16	COMB4	COMB16	COMB5
		Max Value	5.17	54.82	69.98	0.384	116.403	90.365
		Max Case	EY	EX	COMB13	COMB9	COMB13	EX
LT 6	C18	Min Value	-2283.54	-0.34	-55.20	-0.384	-91.344	-195.099
		Min Case	COMB2	EY	COMB16	COMB4	COMB16	COMB4
		Max Value	4.62	147.00	65.74	0.384	109.070	245.910
		Max Case	EY	COMB4	COMB13	COMB9	COMB13	COMB4
LT 6	C19	Min Value	-1303.49	-95.27	0.00	-0.384	-121.399	-157.570
		Min Case	COMB13	COMB5	RAIN	COMB4	COMB11	COMB5

		Max Value	67.83	26.01	90.17	0.384	149.103	128.237
		Max Case	EX	EX	COMB11	COMB9	COMB11	COMB5
LT 6	C20	Min Value	-2202.24	-61.47	0.00	-0.384	-164.997	-101.588
		Min Case	COMB2	COMB6	RAIN	COMB4	COMB11	COMB6
		Max Value	0.00	55.82	123.94	0.384	206.827	92.019
		Max Case	RAIN	EX	COMB11	COMB9	COMB11	EX
LT 6	C21	Min Value	-2210.47	-56.20	0.00	-0.384	-163.427	-92.707
		Min Case	COMB2	COMB5	RAIN	COMB4	COMB11	COMB5
		Max Value	0.00	55.52	122.76	0.384	204.862	91.524
		Max Case	RAIN	EX	COMB11	COMB9	COMB11	EX
LT 6	C22	Min Value	-2210.47	-55.10	-0.24	-0.384	-163.427	-90.792
		Min Case	COMB2	COMB10	EX	COMB4	COMB13	COMB10
		Max Value	0.64	56.20	122.76	0.384	204.862	92.707
		Max Case	EX	COMB3	COMB13	COMB9	COMB13	COMB3
LT 6	C23	Min Value	-2202.24	-52.48	-0.72	-0.384	-164.997	-86.353
		Min Case	COMB2	COMB9	EX	COMB4	COMB13	COMB9
		Max Value	5.50	61.47	123.94	0.384	206.827	101.588
		Max Case	EX	COMB4	COMB13	COMB9	COMB13	COMB4
LT 6	C24	Min Value	-1303.49	0.00	-1.14	-0.384	-121.399	-128.237
		Min Case	COMB11	RAIN	EX	COMB4	COMB13	COMB3
		Max Value	0.00	95.27	90.17	0.384	149.103	157.570
		Max Case	RAIN	COMB3	COMB13	COMB9	COMB13	COMB3
LT 5	C1	Min Value	-1275.52	-76.37	-73.58	-0.487	-122.678	-127.702
		Min Case	COMB14	COMB6	COMB14	EX	COMB14	COMB6
		Max Value	104.97	35.34	37.38	0.521	98.068	101.412
		Max Case	EY	EX	EY	COMB5	COMB14	COMB6
LT 5	C2	Min Value	-2365.60	-72.10	-94.05	-0.432	-157.433	-121.178
		Min Case	COMB2	COMB6	COMB14	COMB4	COMB14	COMB6
		Max Value	109.17	58.58	40.04	0.432	124.724	98.368
		Max Case	EY	EX	EY	COMB9	COMB14	EX
LT 5	C3	Min Value	-2485.69	-58.11	-92.99	-0.432	-155.794	-97.581
		Min Case	COMB2	COMB5	COMB14	COMB4	COMB14	COMB5
		Max Value	108.84	58.31	39.98	0.432	123.173	97.889
		Max Case	EY	COMB8	EY	COMB9	COMB14	COMB8
LT 5	C4	Min Value	-2485.69	-58.31	-92.99	-0.432	-155.794	-97.889
		Min Case	COMB2	COMB10	COMB12	COMB4	COMB12	COMB10
		Max Value	108.84	58.18	39.98	0.432	123.173	97.674
		Max Case	EY	EX	EY	COMB9	COMB12	EX
LT 5	C5	Min Value	-2365.60	-51.71	-94.05	-0.432	-157.433	-95.117
		Min Case	COMB2	COMB9	COMB12	COMB4	COMB12	COMB4
		Max Value	109.17	72.10	40.04	0.432	124.724	121.178
		Max Case	EY	COMB4	EY	COMB9	COMB12	COMB4
LT 5	C6	Min Value	-1275.52	-8.99	-73.58	-0.521	-122.678	-101.412
		Min Case	COMB12	COMB9	COMB12	COMB3	COMB12	COMB4
		Max Value	104.97	76.37	37.38	0.476	98.068	127.702
		Max Case	EY	COMB4	EY	COMB10	COMB12	COMB4
LT 5	C7	Min Value	-2618.42	-122.18	-74.62	-0.432	-125.236	-205.511
		Min Case	COMB2	COMB5	COMB14	COMB4	COMB14	COMB5
		Max Value	100.90	37.46	63.50	0.432	106.931	161.024
		Max Case	EX	EX	EY	COMB9	EY	COMB5
LT 5	C8	Min Value	-4265.71	-58.94	-85.91	-0.432	-144.501	-98.795
		Min Case	COMB2	COMB5	COMB14	COMB4	COMB14	COMB5
		Max Value	0.00	63.61	65.36	0.432	113.240	106.984
		Max Case	RAIN	COMB8	EY	COMB9	COMB14	COMB8
LT 5	C9	Min Value	-3887.86	-60.63	-73.54	-0.432	-123.510	-101.960
		Min Case	COMB2	COMB10	COMB14	COMB4	COMB14	COMB10
		Max Value	5.03	61.60	65.66	0.432	110.719	103.409
		Max Case	EX	COMB3	EY	COMB9	EY	COMB3
LT 5	C10	Min Value	-3887.86	-61.60	-73.54	-0.432	-123.510	-103.409
		Min Case	COMB2	COMB5	COMB12	COMB4	COMB12	COMB5
		Max Value	0.00	60.63	65.66	0.432	110.719	101.960
		Max Case	RAIN	COMB8	EY	COMB9	EY	COMB8
LT 5	C11	Min Value	-4265.71	-63.61	-85.91	-0.432	-144.501	-106.984
		Min Case	COMB2	COMB10	COMB12	COMB4	COMB12	COMB10
		Max Value	10.22	59.91	65.36	0.432	113.240	100.616
		Max Case	EX	EX	EY	COMB9	COMB12	EX
LT 5	C12	Min Value	-2618.42	0.00	-74.62	-0.432	-125.236	-161.024
		Min Case	COMB2	RAIN	COMB12	COMB4	COMB12	COMB3
		Max Value	0.00	122.18	63.50	0.432	106.931	205.511
		Max Case	RAIN	COMB3	EY	COMB9	EY	COMB3
LT 5	C13	Min Value	-2807.39	-124.62	-61.15	-0.432	-102.936	-209.467
		Min Case	COMB2	COMB6	COMB18	COMB4	COMB18	COMB6
		Max Value	98.12	35.49	68.21	0.432	114.823	164.388
		Max Case	EX	EX	COMB11	COMB9	COMB11	COMB6
LT 5	C14	Min Value	-4553.81	-54.01	-62.84	-0.432	-105.976	-90.356

		Min Case	COMB2	COMB10	COMB18	COMB4	COMB18	COMB10
		Max Value	7.24	66.99	71.38	0.432	120.221	112.843
		Max Case	EY	COMB3	COMB11	COMB9	COMB11	COMB3
LT 5	C15	Min Value	-4323.38	-69.67	-74.00	-0.432	-125.033	-117.335
		Min Case	COMB2	COMB6	COMB14	COMB4	COMB14	COMB6
		Max Value	6.45	60.68	65.57	0.432	110.562	101.897
		Max Case	EY	EX	EY	COMB9	EY	EX
LT 5	C16	Min Value	-4323.38	-53.65	-74.00	-0.432	-125.033	-91.669
		Min Case	COMB2	COMB9	COMB12	COMB4	COMB12	COMB4
		Max Value	6.45	69.67	65.57	0.432	110.562	117.335
		Max Case	EY	COMB4	EY	COMB9	EY	COMB4
LT 5	C17	Min Value	-4553.81	-66.99	-62.84	-0.432	-105.976	-112.843
		Min Case	COMB2	COMB5	COMB16	COMB4	COMB16	COMB5
		Max Value	7.24	60.08	71.38	0.432	120.221	100.830
		Max Case	EY	EX	COMB13	COMB9	COMB13	EX
LT 5	C18	Min Value	-2807.39	-0.30	-61.15	-0.432	-102.936	-164.388
		Min Case	COMB2	EY	COMB16	COMB4	COMB16	COMB4
		Max Value	6.09	124.62	68.21	0.432	114.823	209.467
		Max Case	EY	COMB4	COMB13	COMB9	COMB13	COMB4
LT 5	C19	Min Value	-1630.34	-86.52	-10.39	-0.432	-109.833	-144.671
		Min Case	COMB13	COMB5	COMB18	COMB4	COMB11	COMB5
		Max Value	95.39	35.91	82.93	0.432	138.956	114.901
		Max Case	EX	EX	COMB11	COMB9	COMB11	COMB5
LT 5	C20	Min Value	-2706.07	-64.94	-0.30	-0.432	-142.377	-108.871
		Min Case	COMB2	COMB5	COMB18	COMB4	COMB11	COMB5
		Max Value	0.00	61.09	107.95	0.432	181.485	102.505
		Max Case	RAIN	EX	COMB11	COMB9	COMB11	EX
LT 5	C21	Min Value	-2719.35	-61.44	-0.68	-0.432	-141.212	-103.129
		Min Case	COMB2	COMB5	COMB18	COMB4	COMB11	COMB5
		Max Value	0.00	60.90	107.10	0.432	180.084	102.201
		Max Case	RAIN	EX	COMB11	COMB9	COMB11	EX
LT 5	C22	Min Value	-2719.35	-60.57	-0.68	-0.432	-141.212	-101.636
		Min Case	COMB2	COMB10	COMB16	COMB4	COMB13	COMB10
		Max Value	0.90	61.44	107.10	0.432	180.084	103.129
		Max Case	EX	COMB3	COMB13	COMB9	COMB13	COMB3
LT 5	C23	Min Value	-2706.07	-58.80	-0.85	-0.432	-142.377	-98.733
		Min Case	COMB2	COMB10	EX	COMB4	COMB13	COMB10
		Max Value	7.12	64.94	107.95	0.432	181.485	108.871
		Max Case	EX	COMB3	COMB13	COMB9	COMB13	COMB3
LT 5	C24	Min Value	-1630.34	-4.75	-10.39	-0.432	-109.833	-114.901
		Min Case	COMB11	COMB10	COMB16	COMB4	COMB13	COMB3
		Max Value	0.00	86.52	82.93	0.432	138.956	144.671
		Max Case	RAIN	COMB3	COMB13	COMB9	COMB13	COMB3
LT 4	C1	Min Value	-1546.60	-85.63	-81.33	-0.705	-139.418	-146.798
		Min Case	COMB14	COMB6	COMB14	COMB3	COMB14	COMB6
		Max Value	138.90	34.47	37.26	0.634	104.584	110.100
		Max Case	EY	EX	EY	COMB10	COMB14	COMB6
LT 4	C2	Min Value	-2814.61	-84.63	-111.24	-0.794	-190.993	-145.934
		Min Case	COMB2	COMB6	COMB14	COMB4	COMB14	COMB6
		Max Value	144.81	67.20	39.72	0.794	142.715	116.350
		Max Case	EY	EX	EY	COMB9	COMB14	EX
LT 4	C3	Min Value	-2960.88	-66.58	-110.58	-0.794	-190.132	-115.283
		Min Case	COMB2	COMB5	COMB14	COMB4	COMB14	COMB5
		Max Value	144.40	66.77	39.62	0.794	141.608	115.622
		Max Case	EY	COMB8	EY	COMB9	COMB14	COMB8
LT 4	C4	Min Value	-2960.88	-66.77	-110.58	-0.794	-190.132	-115.622
		Min Case	COMB2	COMB10	COMB12	COMB4	COMB12	COMB10
		Max Value	144.40	66.62	39.62	0.794	141.608	115.365
		Max Case	EY	EX	EY	COMB9	COMB12	EX
LT 4	C5	Min Value	-2814.61	-58.35	-111.24	-0.794	-190.993	-107.967
		Min Case	COMB2	COMB9	COMB12	COMB4	COMB12	COMB4
		Max Value	144.81	84.63	39.72	0.794	142.715	145.934
		Max Case	EY	COMB4	EY	COMB9	COMB12	COMB4
LT 4	C6	Min Value	-1546.60	-1.49	-81.33	-0.649	-139.418	-110.100
		Min Case	COMB12	COMB9	COMB12	EX	COMB12	COMB4
		Max Value	138.90	85.63	37.26	0.705	104.584	146.798
		Max Case	EY	COMB4	EY	COMB5	COMB12	COMB4
LT 4	C7	Min Value	-3120.23	-149.95	-87.65	-0.794	-151.052	-257.628
		Min Case	COMB2	COMB5	COMB14	COMB4	COMB14	COMB5
		Max Value	133.64	36.11	74.07	0.794	128.606	192.207
		Max Case	EX	EX	EY	COMB9	EY	COMB5
LT 4	C8	Min Value	-5046.76	-66.74	-103.04	-0.794	-177.368	-115.245
		Min Case	COMB2	COMB5	COMB14	COMB4	COMB14	COMB5
		Max Value	0.00	74.45	76.93	0.794	133.611	129.037
		Max Case	RAIN	COMB8	EY	COMB9	EY	COMB8

LT 4	C9	Min Value	-4588.70	-70.50	-86.48	-0.794	-149.025	-122.237
		Min Case	COMB2	COMB10	COMB14	COMB4	COMB14	COMB10
		Max Value	7.16	70.82	77.40	0.794	134.421	122.445
		Max Case	EX	COMB3	EY	COMB9	EY	COMB3
LT 4	C10	Min Value	-4588.70	-70.82	-86.48	-0.794	-149.025	-122.445
		Min Case	COMB2	COMB5	COMB12	COMB4	COMB12	COMB5
		Max Value	0.00	70.50	77.40	0.794	134.421	122.237
		Max Case	RAIN	COMB8	EY	COMB9	EY	COMB8
LT 4	C11	Min Value	-5046.76	-74.45	-103.04	-0.794	-177.368	-129.037
		Min Case	COMB2	COMB10	COMB12	COMB4	COMB12	COMB10
		Max Value	13.13	68.98	76.93	0.794	133.611	119.465
		Max Case	EX	EX	EY	COMB9	EY	EX
LT 4	C12	Min Value	-3120.23	0.00	-87.65	-0.794	-151.052	-192.207
		Min Case	COMB2	RAIN	COMB12	COMB4	COMB12	COMB3
		Max Value	0.00	149.95	74.07	0.794	128.606	257.628
		Max Case	RAIN	COMB3	EY	COMB9	EY	COMB3
LT 4	C13	Min Value	-3344.76	-152.64	-71.80	-0.794	-124.874	-262.182
		Min Case	COMB2	COMB6	COMB18	COMB4	COMB18	COMB6
		Max Value	129.61	32.98	78.65	0.794	136.265	195.737
		Max Case	EX	EX	COMB11	COMB9	COMB11	COMB6
LT 4	C14	Min Value	-5392.91	-59.97	-74.75	-0.794	-130.095	-103.689
		Min Case	COMB2	COMB10	COMB18	COMB4	COMB18	COMB10
		Max Value	9.37	79.75	82.81	0.794	143.276	138.488
		Max Case	EY	COMB3	COMB11	COMB9	COMB11	COMB3
LT 4	C15	Min Value	-5118.66	-82.85	-90.73	-0.794	-157.654	-143.526
		Min Case	COMB2	COMB6	COMB14	COMB4	COMB14	COMB6
		Max Value	8.26	69.95	77.27	0.794	134.191	121.160
		Max Case	EY	EX	EY	COMB9	EY	EX
LT 4	C16	Min Value	-5118.66	-59.93	-90.73	-0.794	-157.654	-105.009
		Min Case	COMB2	COMB9	COMB12	COMB4	COMB12	COMB4
		Max Value	8.26	82.85	77.27	0.794	134.191	143.526
		Max Case	EY	COMB4	EY	COMB9	EY	COMB4
LT 4	C17	Min Value	-5392.91	-79.75	-74.75	-0.794	-130.095	-138.488
		Min Case	COMB2	COMB5	COMB16	COMB4	COMB16	COMB5
		Max Value	9.37	68.98	82.81	0.794	143.276	119.453
		Max Case	EY	EX	COMB13	COMB9	COMB13	EX
LT 4	C18	Min Value	-3344.76	-0.45	-71.80	-0.794	-124.874	-195.737
		Min Case	COMB2	EY	COMB16	COMB4	COMB16	COMB4
		Max Value	7.50	152.64	78.65	0.794	136.265	262.182
		Max Case	EY	COMB4	COMB13	COMB9	COMB13	COMB4
LT 4	C19	Min Value	-1973.22	-100.91	-0.21	-0.794	-122.117	-173.435
		Min Case	COMB13	COMB5	COMB18	COMB4	COMB11	COMB5
		Max Value	125.91	33.41	95.74	0.794	165.089	129.305
		Max Case	EX	EX	COMB11	COMB9	COMB11	COMB5
LT 4	C20	Min Value	-3221.93	-74.52	0.00	-0.794	-165.527	-128.609
		Min Case	COMB2	COMB5	RAIN	COMB4	COMB11	COMB5
		Max Value	0.00	70.25	129.43	0.794	222.769	121.662
		Max Case	RAIN	EX	COMB11	COMB9	COMB11	EX
LT 4	C21	Min Value	-3239.65	-70.80	0.00	-0.794	-164.283	-122.636
		Min Case	COMB2	COMB5	RAIN	COMB4	COMB11	COMB5
		Max Value	0.00	70.03	128.53	0.794	221.297	121.300
		Max Case	RAIN	EX	COMB11	COMB9	COMB11	EX
LT 4	C22	Min Value	-3239.65	-69.57	-0.32	-0.794	-164.283	-120.495
		Min Case	COMB2	COMB10	EX	COMB4	COMB13	COMB10
		Max Value	1.19	70.80	128.53	0.794	221.297	122.636
		Max Case	EX	COMB3	COMB13	COMB9	COMB13	COMB3
LT 4	C23	Min Value	-3221.93	-67.73	-0.96	-0.794	-165.527	-117.561
		Min Case	COMB2	COMB10	EX	COMB4	COMB13	COMB10
		Max Value	8.66	74.52	129.43	0.794	222.769	128.609
		Max Case	EX	COMB3	COMB13	COMB9	COMB13	COMB3
LT 4	C24	Min Value	-1973.22	0.00	-1.50	-0.794	-122.117	-129.305
		Min Case	COMB11	RAIN	EX	COMB4	COMB13	COMB3
		Max Value	0.00	100.91	95.74	0.794	165.089	173.435
		Max Case	RAIN	COMB3	COMB13	COMB9	COMB13	COMB3
LT 3	C1	Min Value	-1817.02	-83.33	-79.99	-0.755	-152.158	-157.003
		Min Case	COMB14	COMB6	COMB14	EX	COMB14	COMB6
		Max Value	173.90	42.57	44.82	0.772	92.450	92.990
		Max Case	EY	EX	EY	COMB5	EY	COMB6
LT 3	C2	Min Value	-3262.63	-81.20	-100.21	-0.772	-185.657	-152.795
		Min Case	COMB2	COMB6	COMB14	COMB4	COMB14	COMB6
		Max Value	181.66	68.85	48.12	0.772	114.965	132.153
		Max Case	EY	EX	EY	COMB9	COMB14	EX
LT 3	C3	Min Value	-3434.82	-68.37	-100.23	-0.772	-185.783	-131.334
		Min Case	COMB2	COMB5	COMB14	COMB4	COMB14	COMB5
		Max Value	181.17	68.52	48.05	0.772	114.899	131.592
		Max Case	EY	COMB8	EY	COMB9	COMB14	COMB8

LT 3	C4	Min Value	-3434.82	-68.52	-100.23	-0.772	-185.783	-131.592
		Min Case	COMB2	COMB10	COMB12	COMB4	COMB12	COMB10
		Max Value	181.17	68.41	48.05	0.772	114.899	131.406
		Max Case	EY	EX	EY	COMB9	COMB12	EX
LT 3	C5	Min Value	-3262.63	-62.60	-100.21	-0.772	-185.657	-121.698
		Min Case	COMB2	COMB9	COMB12	COMB4	COMB12	COMB9
		Max Value	181.66	81.20	48.12	0.772	114.965	152.795
		Max Case	EY	COMB4	EY	COMB9	COMB12	COMB4
LT 3	C6	Min Value	-1817.02	-16.16	-79.99	-0.772	-152.158	-92.990
		Min Case	COMB12	COMB9	COMB12	COMB3	COMB12	COMB4
		Max Value	173.90	83.33	44.82	0.748	92.450	157.003
		Max Case	EY	COMB4	EY	COMB10	EY	COMB4
LT 3	C7	Min Value	-3622.24	-130.03	-83.14	-0.772	-156.800	-235.735
		Min Case	COMB2	COMB5	COMB14	COMB4	COMB14	COMB5
		Max Value	167.48	45.28	74.37	0.772	142.613	154.368
		Max Case	EX	EX	EY	COMB9	EY	COMB5
LT 3	C8	Min Value	-5831.24	-67.99	-94.48	-0.772	-175.856	-130.755
		Min Case	COMB2	COMB5	COMB14	COMB4	COMB14	COMB5
		Max Value	0.00	74.89	76.65	0.772	146.468	142.722
		Max Case	RAIN	COMB8	EY	COMB9	EY	COMB8
LT 3	C9	Min Value	-5289.54	-71.91	-82.14	-0.772	-154.947	-137.681
		Min Case	COMB2	COMB10	COMB14	COMB4	COMB14	COMB10
		Max Value	9.44	71.43	77.01	0.772	147.089	136.652
		Max Case	EX	COMB3	EY	COMB9	EY	COMB3
LT 3	C10	Min Value	-5289.54	-71.43	-82.14	-0.772	-154.947	-136.652
		Min Case	COMB2	COMB5	COMB12	COMB4	COMB12	COMB5
		Max Value	0.00	71.91	77.01	0.772	147.089	137.681
		Max Case	RAIN	COMB8	EY	COMB9	EY	COMB8
LT 3	C11	Min Value	-5831.24	-74.89	-94.48	-0.772	-175.856	-142.722
		Min Case	COMB2	COMB10	COMB12	COMB4	COMB12	COMB10
		Max Value	16.05	70.42	76.65	0.772	146.468	135.072
		Max Case	EX	EX	EY	COMB9	EY	EX
LT 3	C12	Min Value	-3622.24	0.00	-83.14	-0.772	-156.800	-154.368
		Min Case	COMB2	RAIN	COMB12	COMB4	COMB12	COMB3
		Max Value	0.00	130.03	74.37	0.772	142.613	235.735
		Max Case	RAIN	COMB3	EY	COMB9	EY	COMB3
LT 3	C13	Min Value	-3882.24	-132.09	-73.28	-0.772	-140.874	-239.430
		Min Case	COMB2	COMB6	COMB18	COMB4	COMB18	COMB6
		Max Value	162.09	43.06	77.15	0.772	147.595	156.832
		Max Case	EX	EX	COMB11	COMB9	COMB11	COMB6
LT 3	C14	Min Value	-6236.13	-63.20	-75.74	-0.772	-145.028	-122.932
		Min Case	COMB2	COMB10	COMB18	COMB4	COMB18	COMB10
		Max Value	11.51	79.78	79.91	0.772	152.071	151.472
		Max Case	EY	COMB3	COMB11	COMB9	COMB11	COMB3
LT 3	C15	Min Value	-5916.05	-81.55	-88.13	-0.772	-165.908	-154.293
		Min Case	COMB2	COMB6	COMB14	COMB4	COMB14	COMB6
		Max Value	10.07	71.37	76.91	0.772	146.918	136.935
		Max Case	EY	EX	EY	COMB9	EY	EX
LT 3	C16	Min Value	-5916.05	-63.49	-88.13	-0.772	-165.908	-123.503
		Min Case	COMB2	COMB9	COMB12	COMB4	COMB12	COMB9
		Max Value	10.07	81.55	76.91	0.772	146.918	154.293
		Max Case	EY	COMB4	EY	COMB9	EY	COMB4
LT 3	C17	Min Value	-6236.13	-79.78	-75.74	-0.772	-145.028	-151.472
		Min Case	COMB2	COMB5	COMB16	COMB4	COMB16	COMB5
		Max Value	11.51	70.58	79.91	0.772	152.071	135.584
		Max Case	EY	EX	COMB13	COMB9	COMB13	EX
LT 3	C18	Min Value	-3882.24	-0.35	-73.28	-0.772	-140.874	-156.832
		Min Case	COMB2	EY	COMB16	COMB4	COMB16	COMB4
		Max Value	8.85	132.09	77.15	0.772	147.595	239.430
		Max Case	EY	COMB4	COMB13	COMB9	COMB13	COMB4
LT 3	C19	Min Value	-2315.62	-93.46	-18.99	-0.772	-99.890	-174.387
		Min Case	COMB13	COMB5	COMB18	COMB4	COMB11	COMB5
		Max Value	157.39	43.58	89.49	0.772	168.566	105.993
		Max Case	EX	EX	COMB11	COMB9	COMB11	COMB5
LT 3	C20	Min Value	-3736.52	-74.17	-9.31	-0.772	-132.689	-141.692
		Min Case	COMB2	COMB5	COMB18	COMB4	COMB11	COMB5
		Max Value	0.00	71.74	114.39	0.772	210.471	137.805
		Max Case	RAIN	EX	COMB11	COMB9	COMB11	EX
LT 3	C21	Min Value	-3757.93	-72.18	-9.42	-0.772	-131.982	-138.565
		Min Case	COMB2	COMB5	COMB18	COMB4	COMB11	COMB5
		Max Value	0.00	71.59	113.82	0.772	209.490	137.574
		Max Case	RAIN	EX	COMB11	COMB9	COMB11	EX
LT 3	C22	Min Value	-3757.93	-71.24	-9.42	-0.772	-131.982	-136.982
		Min Case	COMB2	COMB10	COMB16	COMB4	COMB13	COMB10
		Max Value	1.48	72.18	113.82	0.772	209.490	138.565

		Max Case	EX	COMB3	COMB13	COMB9	COMB13	COMB3
LT 3	C23	Min Value	-3736.52	-70.31	-9.31	-0.772	-132.689	-135.523
		Min Case	COMB2	COMB10	COMB16	COMB4	COMB13	COMB10
		Max Value	10.11	74.17	114.39	0.772	210.471	141.692
		Max Case	EX	COMB3	COMB13	COMB9	COMB13	COMB3
LT 3	C24	Min Value	-2315.62	-12.88	-18.99	-0.772	-99.890	-105.993
		Min Case	COMB11	COMB10	COMB16	COMB4	COMB13	COMB3
		Max Value	0.00	93.46	89.49	0.772	168.566	174.387
		Max Case	RAIN	COMB3	COMB13	COMB9	COMB13	COMB3
LT 2	C1	Min Value	-2096.64	-93.45	-88.11	-0.851	-210.409	-217.180
		Min Case	COMB14	COMB6	COMB14	COMB3	COMB14	COMB6
		Max Value	206.54	44.13	46.96	0.754	136.993	129.348
		Max Case	EY	EX	EY	COMB10	EY	EX
LT 2	C2	Min Value	-3724.70	-88.26	-119.25	-1.081	-266.109	-204.078
		Min Case	COMB2	COMB6	COMB14	COMB4	COMB14	COMB6
		Max Value	216.05	72.85	48.53	1.081	139.070	177.102
		Max Case	EY	EX	EY	COMB9	EY	EX
LT 2	C3	Min Value	-3922.38	-72.15	-120.45	-1.081	-268.499	-175.836
		Min Case	COMB2	COMB9	COMB14	COMB4	COMB14	COMB9
		Max Value	215.48	72.50	48.45	1.081	138.928	176.568
		Max Case	EY	COMB4	EY	COMB9	EY	COMB4
LT 2	C4	Min Value	-3922.38	-72.50	-120.45	-1.081	-268.499	-176.568
		Min Case	COMB2	COMB6	COMB12	COMB4	COMB12	COMB6
		Max Value	215.48	72.29	48.45	1.081	138.928	176.119
		Max Case	EY	EX	EY	COMB9	EY	EX
LT 2	C5	Min Value	-3724.70	-65.12	-119.25	-1.081	-266.109	-163.602
		Min Case	COMB2	COMB9	COMB12	COMB4	COMB12	COMB9
		Max Value	216.05	88.26	48.53	1.081	139.070	204.078
		Max Case	EY	COMB4	EY	COMB9	EY	COMB4
LT 2	C6	Min Value	-2096.64	-11.90	-88.11	-0.786	-210.409	-71.766
		Min Case	COMB12	COMB9	COMB12	EX	COMB12	COMB9
		Max Value	206.54	93.45	46.96	0.851	136.993	217.180
		Max Case	EY	COMB4	EY	COMB5	EY	COMB4
LT 2	C7	Min Value	-4139.80	-162.54	-89.19	-1.081	-208.011	-343.123
		Min Case	COMB2	COMB5	COMB14	COMB4	COMB14	COMB5
		Max Value	199.11	45.25	79.16	1.081	190.443	157.115
		Max Case	EX	EX	EY	COMB9	EY	COMB2
LT 2	C8	Min Value	-6635.60	-69.32	-103.75	-1.081	-233.221	-170.443
		Min Case	COMB2	COMB5	COMB14	COMB4	COMB14	COMB5
		Max Value	0.00	81.85	81.88	1.081	195.035	194.511
		Max Case	RAIN	COMB8	EY	COMB9	EY	COMB8
LT 2	C9	Min Value	-6005.85	-77.15	-86.85	-1.081	-202.573	-185.673
		Min Case	COMB2	COMB10	COMB14	COMB4	COMB14	COMB9
		Max Value	11.65	75.44	82.31	1.081	195.768	182.321
		Max Case	EX	EX	EY	COMB9	EY	EX
LT 2	C10	Min Value	-6005.85	-75.07	-86.85	-1.081	-202.573	-181.305
		Min Case	COMB2	COMB5	COMB12	COMB4	COMB12	COMB6
		Max Value	0.00	77.15	82.31	1.081	195.768	185.673
		Max Case	RAIN	COMB8	EY	COMB9	EY	COMB7
LT 2	C11	Min Value	-6635.60	-81.85	-103.75	-1.081	-233.221	-194.511
		Min Case	COMB2	COMB10	COMB12	COMB4	COMB12	COMB10
		Max Value	18.74	74.66	81.88	1.081	195.035	181.059
		Max Case	EX	EX	EY	COMB9	EY	EX
LT 2	C12	Min Value	-4139.80	0.00	-89.19	-1.081	-208.011	-157.115
		Min Case	COMB2	RAIN	COMB12	COMB4	COMB12	COMB2
		Max Value	0.00	162.54	79.16	1.081	190.443	343.123
		Max Case	RAIN	COMB3	EY	COMB9	EY	COMB3
LT 2	C13	Min Value	-4435.09	-165.91	-79.26	-1.081	-191.955	-350.562
		Min Case	COMB2	COMB6	COMB18	COMB4	COMB14	COMB6
		Max Value	192.38	42.59	80.11	1.081	192.102	166.108
		Max Case	EX	EX	COMB11	COMB9	COMB15	COMB2
LT 2	C14	Min Value	-7100.07	-63.05	-82.57	-1.081	-197.535	-160.318
		Min Case	COMB2	COMB10	COMB18	COMB4	COMB14	COMB10
		Max Value	13.49	90.18	82.61	1.081	195.714	211.168
		Max Case	EY	COMB3	COMB11	COMB9	COMB15	COMB3
LT 2	C15	Min Value	-6731.58	-90.75	-101.07	-1.081	-230.819	-211.180
		Min Case	COMB2	COMB6	COMB14	COMB4	COMB14	COMB6
		Max Value	11.71	75.69	82.20	1.081	195.570	183.650
		Max Case	EY	EX	EY	COMB9	EY	EX
LT 2	C16	Min Value	-6731.58	-64.07	-101.07	-1.081	-230.819	-162.431
		Min Case	COMB2	COMB9	COMB12	COMB4	COMB12	COMB9
		Max Value	11.71	90.75	82.20	1.081	195.570	211.180
		Max Case	EY	COMB4	EY	COMB9	EY	COMB4
LT 2	C17	Min Value	-7100.07	-90.18	-82.57	-1.081	-197.535	-211.168
		Min Case	COMB2	COMB5	COMB16	COMB4	COMB12	COMB5

		Max Value	13.49	74.77	82.61	1.081	195.714	182.148
		Max Case	EY	EX	COMB13	COMB9	COMB17	EX
LT 2	C18	Min Value	-4435.09	-0.43	-79.26	-1.081	-191.955	-166.108
		Min Case	COMB2	EY	COMB16	COMB4	COMB12	COMB2
		Max Value	10.05	165.91	80.11	1.081	192.102	350.562
		Max Case	EY	COMB4	COMB13	COMB9	COMB17	COMB4
LT 2	C19	Min Value	-2667.71	-111.59	-9.69	-1.081	-76.700	-253.151
		Min Case	COMB13	COMB5	COMB18	COMB4	COMB2	COMB5
		Max Value	186.75	43.17	104.29	1.081	240.130	129.980
		Max Case	EX	EX	COMB11	COMB9	COMB11	EX
LT 2	C20	Min Value	-4264.67	-77.66	0.00	-1.081	-120.727	-187.244
		Min Case	COMB2	COMB6	RAIN	COMB4	COMB2	COMB6
		Max Value	0.00	76.09	137.80	1.081	299.702	185.259
		Max Case	RAIN	EX	COMB11	COMB9	COMB11	EX
LT 2	C21	Min Value	-4288.85	-76.73	0.00	-1.081	-120.475	-186.435
		Min Case	COMB2	COMB5	RAIN	COMB4	COMB2	COMB5
		Max Value	0.00	75.89	137.50	1.081	299.124	184.888
		Max Case	RAIN	EX	COMB11	COMB9	COMB11	EX
LT 2	C22	Min Value	-4288.85	-75.38	-0.39	-1.081	-120.475	-183.957
		Min Case	COMB2	COMB10	EX	COMB4	COMB2	COMB10
		Max Value	1.75	76.73	137.50	1.081	299.124	186.435
		Max Case	EX	COMB3	COMB13	COMB9	COMB13	COMB3
LT 2	C23	Min Value	-4264.67	-75.20	-1.16	-1.081	-120.727	-184.177
		Min Case	COMB2	COMB9	EX	COMB4	COMB2	COMB9
		Max Value	11.34	77.66	137.80	1.081	299.702	187.244
		Max Case	EX	COMB4	COMB13	COMB9	COMB13	COMB4
LT 2	C24	Min Value	-2667.71	-0.91	-9.69	-1.081	-76.700	-89.708
		Min Case	COMB11	COMB10	COMB16	COMB4	COMB2	COMB2
		Max Value	0.00	111.59	104.29	1.081	240.130	253.151
		Max Case	RAIN	COMB3	COMB13	COMB9	COMB13	COMB3
LT 1	C1	Min Value	-2370.52	-81.11	-79.35	-0.755	-305.090	-297.980
		Min Case	COMB14	COMB6	COMB14	EX	COMB14	COMB6
		Max Value	231.84	56.77	58.31	0.877	273.802	265.497
		Max Case	EY	EX	EY	COMB5	EY	EX
LT 1	C2	Min Value	-4192.33	-74.12	-89.56	-0.537	-316.120	-288.208
		Min Case	COMB2	COMB6	COMB14	COMB4	COMB14	COMB6
		Max Value	242.78	68.18	60.68	0.537	277.868	280.752
		Max Case	EY	EX	EY	COMB9	EY	EX
LT 1	C3	Min Value	-4414.95	-67.90	-90.20	-0.537	-316.072	-280.389
		Min Case	COMB2	COMB9	COMB14	COMB4	COMB14	COMB9
		Max Value	242.15	68.10	60.65	0.537	277.831	280.645
		Max Case	EY	COMB4	EY	COMB9	EY	COMB4
LT 1	C4	Min Value	-4414.95	-68.10	-90.20	-0.537	-316.072	-280.645
		Min Case	COMB2	COMB6	COMB12	COMB4	COMB12	COMB6
		Max Value	242.15	67.97	60.65	0.537	277.831	280.485
		Max Case	EY	EX	EY	COMB9	EY	EX
LT 1	C5	Min Value	-4192.33	-65.23	-89.56	-0.537	-316.120	-277.043
		Min Case	COMB2	COMB9	COMB12	COMB4	COMB12	COMB9
		Max Value	242.78	74.12	60.68	0.537	277.868	288.208
		Max Case	EY	COMB4	EY	COMB9	EY	COMB4
LT 1	C6	Min Value	-2370.52	-40.76	-79.35	-0.877	-305.090	-244.149
		Min Case	COMB12	COMB9	COMB12	COMB3	COMB12	COMB9
		Max Value	231.84	81.11	58.31	0.732	273.802	297.980
		Max Case	EY	COMB4	EY	COMB10	EY	COMB4
LT 1	C7	Min Value	-4664.01	-108.13	-74.67	-0.537	-298.263	-333.810
		Min Case	COMB2	COMB5	COMB14	COMB4	COMB14	COMB5
		Max Value	223.73	59.28	71.12	0.537	292.328	272.420
		Max Case	EX	EX	EY	COMB9	COMB15	EX
LT 1	C8	Min Value	-7453.15	-66.51	-80.11	-0.537	-304.246	-281.505
		Min Case	COMB2	COMB5	COMB14	COMB4	COMB14	COMB5
		Max Value	0.00	72.63	72.06	0.537	292.161	289.193
		Max Case	RAIN	COMB8	EY	COMB9	EY	COMB8
LT 1	C9	Min Value	-6730.10	-70.44	-73.05	-0.537	-294.418	-286.449
		Min Case	COMB2	COMB9	COMB18	COMB4	COMB14	COMB9
		Max Value	13.42	69.57	72.21	0.537	292.349	285.355
		Max Case	EX	EX	EY	COMB9	EY	EX
LT 1	C10	Min Value	-6730.10	-69.21	-73.05	-0.537	-294.418	-284.896
		Min Case	COMB2	COMB6	COMB16	COMB4	COMB12	COMB6
		Max Value	0.00	70.44	72.21	0.537	292.349	286.449
		Max Case	RAIN	COMB7	EY	COMB9	EY	COMB7
LT 1	C11	Min Value	-7453.15	-72.63	-80.11	-0.537	-304.246	-289.193
		Min Case	COMB2	COMB10	COMB12	COMB4	COMB12	COMB10
		Max Value	20.90	69.33	72.06	0.537	292.161	285.051
		Max Case	EX	EX	EY	COMB9	EY	EX
LT 1	C12	Min Value	-4664.01	-30.01	-74.67	-0.537	-298.263	-235.646

		Min Case	COMB2	COMB10	COMB12	COMB4	COMB12	COMB10
		Max Value	0.00	108.13	71.12	0.537	292.328	333.810
		Max Case	RAIN	COMB3	EY	COMB9	COMB17	COMB3
LT 1	C13	Min Value	-4994.91	-110.34	-71.72	-0.537	-294.557	-339.435
		Min Case	COMB2	COMB6	COMB14	COMB4	COMB14	COMB6
		Max Value	215.93	58.89	71.70	0.537	293.573	274.785
		Max Case	EX	EX	COMB15	COMB9	COMB15	EX
LT 1	C14	Min Value	-7978.22	-64.58	-72.93	-0.537	-295.220	-281.943
		Min Case	COMB2	COMB10	COMB14	COMB4	COMB14	COMB10
		Max Value	15.11	77.06	72.26	0.537	293.421	297.616
		Max Case	EY	COMB3	COMB15	COMB9	COMB15	COMB3
LT 1	C15	Min Value	-7557.84	-76.68	-80.47	-0.537	-303.843	-297.144
		Min Case	COMB2	COMB6	COMB14	COMB4	COMB14	COMB6
		Max Value	13.08	70.18	72.17	0.537	292.299	288.976
		Max Case	EY	EX	EY	COMB9	EY	EX
LT 1	C16	Min Value	-7557.84	-65.17	-80.47	-0.537	-303.843	-282.688
		Min Case	COMB2	COMB9	COMB12	COMB4	COMB12	COMB9
		Max Value	13.08	76.68	72.17	0.537	292.299	297.144
		Max Case	EY	COMB4	EY	COMB9	EY	COMB4
LT 1	C17	Min Value	-7978.22	-77.06	-72.93	-0.537	-295.220	-297.616
		Min Case	COMB2	COMB5	COMB12	COMB4	COMB12	COMB5
		Max Value	15.11	69.89	72.26	0.537	293.421	288.610
		Max Case	EY	EX	COMB17	COMB9	COMB17	EX
LT 1	C18	Min Value	-4994.91	-28.53	-71.72	-0.537	-294.557	-236.639
		Min Case	COMB2	COMB9	COMB12	COMB4	COMB12	COMB9
		Max Value	11.05	110.34	71.70	0.537	293.573	339.435
		Max Case	EY	COMB4	COMB17	COMB9	COMB17	COMB4
LT 1	C19	Min Value	-3014.60	-87.99	-45.01	-0.537	-260.595	-314.221
		Min Case	COMB13	COMB5	COMB18	COMB4	COMB18	COMB5
		Max Value	209.59	59.61	84.50	0.537	309.258	278.553
		Max Case	EX	EX	COMB11	COMB9	COMB11	EX
LT 1	C20	Min Value	-4798.34	-71.00	-39.06	-0.537	-252.265	-292.863
		Min Case	COMB2	COMB6	COMB18	COMB4	COMB18	COMB6
		Max Value	0.00	70.86	97.96	0.537	325.312	292.687
		Max Case	RAIN	EX	COMB11	COMB9	COMB11	EX
LT 1	C21	Min Value	-4824.00	-71.13	-38.78	-0.537	-251.060	-293.033
		Min Case	COMB2	COMB5	COMB18	COMB4	COMB18	COMB5
		Max Value	0.00	70.77	97.82	0.537	324.279	292.572
		Max Case	RAIN	EX	COMB11	COMB9	COMB11	EX
LT 1	C22	Min Value	-4824.00	-70.54	-38.78	-0.537	-251.060	-292.293
		Min Case	COMB2	COMB10	COMB16	COMB4	COMB16	COMB10
		Max Value	1.95	71.13	97.82	0.537	324.279	293.033
		Max Case	EX	COMB3	COMB13	COMB9	COMB13	COMB3
LT 1	C23	Min Value	-4798.34	-70.80	-39.06	-0.537	-252.265	-292.618
		Min Case	COMB2	COMB9	COMB16	COMB4	COMB16	COMB9
		Max Value	12.32	71.00	97.96	0.537	325.312	292.863
		Max Case	EX	COMB4	COMB13	COMB9	COMB13	COMB4
LT 1	C24	Min Value	-3014.60	-42.03	-45.01	-0.537	-260.595	-256.460
		Min Case	COMB11	COMB10	COMB16	COMB4	COMB16	COMB10
		Max Value	0.00	87.99	84.50	0.537	309.258	314.221
		Max Case	RAIN	COMB3	COMB13	COMB9	COMB13	COMB3

ETABS v9.0.0 File:GEDUNG HOTEL GEMPA STATIS Units:KN-m August 18, 2010 8:15 PAGE 3

B E A M F O R C E E N V E L O P E S

STORY	BEAM	ITEM	P	V2	V3	T	M2	M3
ATAP	B1	Min Value	0.00	-65.51	0.00	-17.274	0.000	-89.252
		Min Case	COMB21	COMB2	COMB17	COMB2	COMB18	COMB4
		Max Value	0.00	68.31	0.00	14.230	0.000	92.919
		Max Case	COMB21	COMB2	COMB18	COMB2	COMB17	COMB2
ATAP	B2	Min Value	0.00	-66.93	0.00	-13.595	0.000	-95.813
		Min Case	COMB21	COMB2	COMB21	COMB2	COMB1	COMB6
		Max Value	0.00	65.67	0.00	14.336	0.000	80.912
		Max Case	COMB21	COMB2	COMB1	COMB2	COMB8	COMB2
ATAP	B3	Min Value	0.00	-66.19	0.00	-14.253	0.000	-92.638
		Min Case	COMB21	COMB2	COMB16	COMB2	COMB17	COMB6
		Max Value	0.00	66.19	0.00	14.253	0.000	81.384
		Max Case	COMB21	COMB2	COMB17	COMB2	COMB16	COMB2
ATAP	B4	Min Value	0.00	-65.67	0.00	-14.336	0.000	-95.813
		Min Case	COMB21	COMB2	COMB16	COMB2	COMB16	COMB4
		Max Value	0.00	66.93	0.00	13.595	0.000	80.912
		Max Case	COMB21	COMB2	COMB17	COMB2	COMB13	COMB2
ATAP	B5	Min Value	0.00	-68.31	0.00	-14.230	0.000	-89.252
		Min Case	COMB21	COMB2	COMB13	COMB2	COMB13	COMB6
		Max Value	0.00	65.51	0.00	17.274	0.000	92.919

		Max Case	COMB21	COMB2	COMB18	COMB2	COMB16	COMB2
ATAP	B6	Min Value	0.00	-45.28	0.00	0.000	0.000	-54.842
		Min Case	COMB21	COMB2	COMB10	EY	COMB3	COMB14
		Max Value	0.00	43.62	0.00	2.705	0.000	41.679
		Max Case	COMB21	COMB2	COMB3	COMB2	COMB10	COMB2
ATAP	B7	Min Value	0.00	-66.27	0.00	-0.053	0.000	-114.251
		Min Case	COMB21	COMB2	COMB10	COMB1	COMB3	COMB2
		Max Value	0.00	88.33	0.00	0.194	0.000	100.683
		Max Case	COMB21	COMB2	COMB3	COMB2	COMB10	COMB2
ATAP	B8	Min Value	0.00	-76.05	0.00	-0.228	0.000	-85.273
		Min Case	COMB21	COMB2	COMB10	COMB1	COMB3	COMB13
		Max Value	0.00	76.65	0.00	0.006	0.000	72.492
		Max Case	COMB21	COMB2	COMB3	LIVE	COMB10	COMB2
ATAP	B9	Min Value	0.00	-65.06	0.00	-0.798	0.000	-119.754
		Min Case	COMB21	COMB2	COMB10	COMB2	COMB3	COMB2
		Max Value	0.00	89.54	0.00	0.000	0.000	100.019
		Max Case	COMB21	COMB2	COMB3	RAIN	COMB10	COMB2
ATAP	B10	Min Value	0.00	-72.61	0.00	-0.009	0.000	-99.987
		Min Case	COMB21	COMB2	COMB10	EX	COMB3	COMB11
		Max Value	0.00	80.09	0.00	0.622	0.000	69.824
		Max Case	COMB21	COMB2	COMB3	COMB1	COMB10	COMB2
ATAP	B11	Min Value	0.00	-64.83	0.00	-0.015	0.000	-122.002
		Min Case	COMB21	COMB2	COMB10	COMB10	COMB3	COMB2
		Max Value	0.00	89.77	0.00	0.015	0.000	98.664
		Max Case	COMB21	COMB2	COMB3	COMB3	COMB10	COMB2
ATAP	B12	Min Value	0.00	-72.61	0.00	-0.622	0.000	-99.987
		Min Case	COMB21	COMB2	COMB10	COMB1	COMB3	COMB13
		Max Value	0.00	80.09	0.00	0.001	0.000	69.824
		Max Case	COMB21	COMB2	COMB3	EY	COMB10	COMB2
ATAP	B13	Min Value	0.00	-65.06	0.00	-0.012	0.000	-119.754
		Min Case	COMB21	COMB2	COMB10	EX	COMB3	COMB2
		Max Value	0.00	89.54	0.00	0.798	0.000	100.019
		Max Case	COMB21	COMB2	COMB3	COMB2	COMB10	COMB2
ATAP	B14	Min Value	0.00	-76.05	0.00	-0.006	0.000	-85.273
		Min Case	COMB21	COMB2	COMB10	LIVE	COMB3	COMB11
		Max Value	0.00	76.65	0.00	0.228	0.000	72.492
		Max Case	COMB21	COMB2	COMB3	COMB1	COMB10	COMB2
ATAP	B15	Min Value	0.00	-66.27	0.00	-0.194	0.000	-114.251
		Min Case	COMB21	COMB2	COMB10	COMB2	COMB3	COMB2
		Max Value	0.00	88.33	0.00	0.053	0.000	100.683
		Max Case	COMB21	COMB2	COMB3	COMB1	COMB10	COMB2
ATAP	B16	Min Value	0.00	-45.28	0.00	-2.705	0.000	-54.842
		Min Case	COMB21	COMB2	COMB10	COMB2	COMB3	COMB12
		Max Value	0.00	43.62	0.00	0.004	0.000	41.679
		Max Case	COMB21	COMB2	COMB3	EX	COMB10	COMB2
ATAP	B19	Min Value	0.00	-132.65	0.00	-1.094	0.000	-199.122
		Min Case	COMB21	COMB2	COMB17	COMB11	COMB18	COMB2
		Max Value	0.00	143.25	0.00	1.223	0.000	208.054
		Max Case	COMB21	COMB2	COMB18	COMB11	COMB17	COMB2
ATAP	B20	Min Value	0.00	-135.33	0.00	-2.378	0.000	-218.325
		Min Case	COMB21	COMB2	COMB21	COMB13	COMB1	COMB2
		Max Value	0.00	142.59	0.00	1.196	0.000	186.410
		Max Case	COMB21	COMB2	COMB1	COMB11	COMB8	COMB2
ATAP	B21	Min Value	0.00	-146.66	0.00	-28.416	0.000	-209.392
		Min Case	COMB21	COMB2	COMB11	COMB2	COMB12	COMB2
		Max Value	0.00	146.66	0.00	28.416	0.000	190.307
		Max Case	COMB21	COMB2	COMB16	COMB2	COMB11	COMB2
ATAP	B22	Min Value	0.00	-142.59	0.00	-1.196	0.000	-218.325
		Min Case	COMB21	COMB2	COMB16	COMB13	COMB16	COMB2
		Max Value	0.00	135.33	0.00	2.378	0.000	186.410
		Max Case	COMB21	COMB2	COMB17	COMB11	COMB13	COMB2
ATAP	B23	Min Value	0.00	-143.25	0.00	-1.223	0.000	-199.122
		Min Case	COMB21	COMB2	COMB13	COMB13	COMB13	COMB2
		Max Value	0.00	132.65	0.00	1.094	0.000	208.054
		Max Case	COMB21	COMB2	COMB18	COMB13	COMB16	COMB2
ATAP	B24	Min Value	0.00	-32.18	0.00	-0.017	0.000	-41.091
		Min Case	COMB21	COMB2	COMB17	EY	COMB17	COMB2
		Max Value	0.00	0.00	0.00	6.104	0.000	7.578
		Max Case	COMB21	RAIN	COMB18	COMB4	COMB18	COMB11
ATAP	B25	Min Value	0.00	-32.18	0.00	-6.104	0.000	-41.091
		Min Case	COMB21	COMB2	COMB17	COMB6	COMB17	COMB2
		Max Value	0.00	0.15	0.00	0.596	0.000	7.578
		Max Case	COMB21	EX	COMB18	EX	COMB18	COMB13
ATAP	B26	Min Value	0.00	-31.74	0.00	-7.578	0.000	-35.218
		Min Case	COMB21	COMB2	COMB18	COMB11	COMB11	COMB2

		Max Value	0.00	3.19	0.00	0.000	0.000	6.104
		Max Case	COMB21	COMB2	COMB11	RAIN	COMB18	COMB4
ATAP	B27	Min Value	0.00	-3.19	0.00	-0.103	0.000	-35.218
		Min Case	COMB21	COMB2	COMB18	EX	COMB11	COMB2
		Max Value	0.00	31.74	0.00	7.578	0.000	6.104
		Max Case	COMB21	COMB2	COMB11	COMB13	COMB18	COMB6
ATAP	B28	Min Value	0.00	-45.10	0.00	-0.154	0.000	-60.306
		Min Case	COMB21	COMB2	COMB17	COMB2	COMB9	COMB12
		Max Value	0.00	43.79	0.00	0.008	0.000	35.175
		Max Case	COMB21	COMB2	COMB18	EY	COMB8	COMB2
ATAP	B29	Min Value	0.00	-77.57	0.00	-0.037	0.000	-113.378
		Min Case	COMB21	COMB2	COMB17	LIVE	COMB9	COMB2
		Max Value	0.00	77.03	0.00	0.207	0.000	58.515
		Max Case	COMB21	COMB2	COMB18	COMB1	COMB8	COMB2
ATAP	B30	Min Value	0.00	-77.60	0.00	0.000	0.000	-100.074
		Min Case	COMB21	COMB2	COMB17	RAIN	COMB9	COMB14
		Max Value	0.00	75.10	0.00	0.252	0.000	60.728
		Max Case	COMB21	COMB2	COMB18	COMB2	COMB8	COMB2
ATAP	B31	Min Value	0.00	-78.38	0.00	0.000	0.000	-117.515
		Min Case	COMB21	COMB2	COMB17	RAIN	COMB9	COMB2
		Max Value	0.00	76.22	0.00	0.327	0.000	57.590
		Max Case	COMB21	COMB2	COMB18	COMB1	COMB8	COMB2
ATAP	B32	Min Value	0.00	-86.06	0.00	-12.488	0.000	-109.140
		Min Case	COMB21	COMB2	COMB7	COMB2	COMB10	COMB14
		Max Value	0.00	79.40	0.00	22.730	0.000	71.018
		Max Case	COMB21	COMB2	COMB10	COMB2	COMB7	COMB2
ATAP	B35	Min Value	0.00	-86.06	0.00	-22.730	0.000	-109.140
		Min Case	COMB21	COMB2	COMB7	COMB2	COMB10	COMB12
		Max Value	0.00	79.40	0.00	12.488	0.000	71.018
		Max Case	COMB21	COMB2	COMB10	COMB2	COMB7	COMB2
ATAP	B36	Min Value	0.00	-78.38	0.00	-0.327	0.000	-117.515
		Min Case	COMB21	COMB2	COMB17	COMB1	COMB9	COMB2
		Max Value	0.00	76.22	0.00	0.011	0.000	57.590
		Max Case	COMB21	COMB2	COMB18	EX	COMB8	COMB2
ATAP	B37	Min Value	0.00	-77.60	0.00	-0.252	0.000	-100.074
		Min Case	COMB21	COMB2	COMB17	COMB2	COMB9	COMB12
		Max Value	0.00	75.10	0.00	0.001	0.000	60.728
		Max Case	COMB21	COMB2	COMB18	EX	COMB8	COMB2
ATAP	B38	Min Value	0.00	-77.57	0.00	-0.207	0.000	-113.378
		Min Case	COMB21	COMB2	COMB17	COMB1	COMB9	COMB2
		Max Value	0.00	77.03	0.00	0.037	0.000	58.515
		Max Case	COMB21	COMB2	COMB18	LIVE	COMB8	COMB2
ATAP	B39	Min Value	0.00	-45.10	0.00	-0.012	0.000	-60.306
		Min Case	COMB21	COMB2	COMB17	EX	COMB9	COMB14
		Max Value	0.00	43.79	0.00	0.154	0.000	35.175
		Max Case	COMB21	COMB2	COMB18	COMB2	COMB8	COMB2
ATAP	B40	Min Value	0.00	-132.59	0.00	-1.435	0.000	-198.723
		Min Case	COMB21	COMB2	COMB17	COMB14	COMB18	COMB2
		Max Value	0.00	142.45	0.00	1.327	0.000	206.045
		Max Case	COMB21	COMB2	COMB18	COMB14	COMB17	COMB2
ATAP	B41	Min Value	0.00	-135.99	0.00	-1.908	0.000	-204.184
		Min Case	COMB21	COMB2	COMB21	COMB14	COMB1	COMB2
		Max Value	0.00	138.54	0.00	2.364	0.000	186.191
		Max Case	COMB21	COMB2	COMB1	COMB14	COMB8	COMB2
ATAP	B42	Min Value	0.00	-134.47	0.00	-2.952	0.000	-195.654
		Min Case	COMB21	COMB2	COMB16	COMB14	COMB17	COMB2
		Max Value	0.00	134.47	0.00	2.952	0.000	180.281
		Max Case	COMB21	COMB2	COMB17	COMB12	COMB16	COMB2
ATAP	B43	Min Value	0.00	-138.54	0.00	-2.364	0.000	-204.184
		Min Case	COMB21	COMB2	COMB16	COMB12	COMB16	COMB2
		Max Value	0.00	135.99	0.00	1.908	0.000	186.191
		Max Case	COMB21	COMB2	COMB17	COMB12	COMB13	COMB2
ATAP	B44	Min Value	0.00	-142.45	0.00	-1.327	0.000	-198.723
		Min Case	COMB21	COMB2	COMB13	COMB12	COMB13	COMB2
		Max Value	0.00	132.59	0.00	1.435	0.000	206.045
		Max Case	COMB21	COMB2	COMB18	COMB12	COMB16	COMB2
ATAP	B45	Min Value	0.00	-43.40	0.00	-2.879	0.000	-56.201
		Min Case	COMB21	COMB2	COMB8	COMB2	COMB3	COMB11
		Max Value	0.00	45.49	0.00	0.000	0.000	40.802
		Max Case	COMB21	COMB2	COMB10	EY	COMB10	COMB2
ATAP	B46	Min Value	0.00	-88.02	0.00	-0.388	0.000	-112.701
		Min Case	COMB21	COMB2	COMB8	COMB2	COMB3	COMB2
		Max Value	0.00	66.58	0.00	0.008	0.000	100.973
		Max Case	COMB21	COMB2	COMB10	EY	COMB10	COMB2
ATAP	B47	Min Value	0.00	-75.73	0.00	-0.022	0.000	-85.901

		Min Case	COMB21	COMB2	COMB8	LIVE	COMB3	COMB2
		Max Value	0.00	76.97	0.00	0.125	0.000	71.947
		Max Case	COMB21	COMB2	COMB10	COMB1	COMB10	COMB2
ATAP	B48	Min Value	0.00	-88.30	0.00	-0.002	0.000	-112.398
		Min Case	COMB21	COMB2	COMB8	EY	COMB3	COMB2
		Max Value	0.00	66.30	0.00	0.336	0.000	102.420
		Max Case	COMB21	COMB2	COMB10	COMB2	COMB10	COMB2
ATAP	B49	Min Value	0.00	-77.28	0.00	0.000	0.000	-89.387
		Min Case	COMB21	COMB2	COMB8	RAIN	COMB3	COMB14
		Max Value	0.00	75.42	0.00	0.037	0.000	70.571
		Max Case	COMB21	COMB2	COMB10	COMB1	COMB10	COMB2
ATAP	B50	Min Value	0.00	-88.09	0.00	-0.009	0.000	-110.697
		Min Case	COMB21	COMB2	COMB8	COMB8	COMB3	COMB2
		Max Value	0.00	66.51	0.00	0.009	0.000	103.255
		Max Case	COMB21	COMB2	COMB10	COMB5	COMB10	COMB2
ATAP	B51	Min Value	0.00	-77.28	0.00	-0.037	0.000	-89.387
		Min Case	COMB21	COMB2	COMB8	COMB1	COMB3	COMB12
		Max Value	0.00	75.42	0.00	0.004	0.000	70.571
		Max Case	COMB21	COMB2	COMB10	EX	COMB10	COMB2
ATAP	B52	Min Value	0.00	-88.30	0.00	-0.336	0.000	-112.398
		Min Case	COMB21	COMB2	COMB8	COMB2	COMB3	COMB2
		Max Value	0.00	66.30	0.00	0.002	0.000	102.420
		Max Case	COMB21	COMB2	COMB10	EY	COMB10	COMB2
ATAP	B53	Min Value	0.00	-75.73	0.00	-0.125	0.000	-85.901
		Min Case	COMB21	COMB2	COMB8	COMB1	COMB3	COMB2
		Max Value	0.00	76.97	0.00	0.022	0.000	71.947
		Max Case	COMB21	COMB2	COMB10	LIVE	COMB10	COMB2
ATAP	B54	Min Value	0.00	-88.02	0.00	-0.008	0.000	-112.701
		Min Case	COMB21	COMB2	COMB8	EY	COMB3	COMB2
		Max Value	0.00	66.58	0.00	0.388	0.000	100.973
		Max Case	COMB21	COMB2	COMB10	COMB2	COMB10	COMB2
ATAP	B55	Min Value	0.00	-43.40	0.00	0.000	0.000	-56.201
		Min Case	COMB21	COMB2	COMB8	EX	COMB3	COMB13
		Max Value	0.00	45.49	0.00	2.879	0.000	40.802
		Max Case	COMB21	COMB2	COMB10	COMB2	COMB10	COMB2
ATAP	B56	Min Value	0.00	-65.68	0.00	-14.533	0.000	-90.421
		Min Case	COMB21	COMB2	COMB17	COMB2	COMB18	COMB3
		Max Value	0.00	68.45	0.00	17.782	0.000	91.685
		Max Case	COMB21	COMB2	COMB18	COMB2	COMB17	COMB2
ATAP	B57	Min Value	0.00	-66.80	0.00	-15.110	0.000	-94.783
		Min Case	COMB21	COMB2	COMB21	COMB2	COMB1	COMB3
		Max Value	0.00	67.04	0.00	14.757	0.000	82.717
		Max Case	COMB21	COMB2	COMB1	COMB2	COMB8	COMB2
ATAP	B58	Min Value	0.00	-67.03	0.00	-14.896	0.000	-94.732
		Min Case	COMB21	COMB2	COMB16	COMB2	COMB17	COMB3
		Max Value	0.00	67.03	0.00	14.896	0.000	82.173
		Max Case	COMB21	COMB2	COMB17	COMB2	COMB16	COMB2
ATAP	B59	Min Value	0.00	-67.04	0.00	-14.757	0.000	-94.783
		Min Case	COMB21	COMB2	COMB16	COMB2	COMB16	COMB5
		Max Value	0.00	66.80	0.00	15.110	0.000	82.717
		Max Case	COMB21	COMB2	COMB17	COMB2	COMB13	COMB2
ATAP	B60	Min Value	0.00	-68.45	0.00	-17.782	0.000	-90.421
		Min Case	COMB21	COMB2	COMB13	COMB2	COMB13	COMB5
		Max Value	0.00	65.68	0.00	14.533	0.000	91.685
		Max Case	COMB21	COMB2	COMB18	COMB2	COMB16	COMB2
ATAP	B61	Min Value	0.00	-48.16	0.00	-0.012	0.000	-105.823
		Min Case	COMB21	COMB2	COMB17	COMB4	COMB9	COMB2
		Max Value	0.00	70.86	0.00	0.012	0.000	42.544
		Max Case	COMB21	COMB2	COMB18	COMB9	COMB8	COMB2
LT 9	B1	Min Value	0.00	-96.86	-0.13	-24.873	-0.203	-159.431
		Min Case	COMB21	COMB6	COMB11	COMB2	COMB11	COMB4
		Max Value	19.38	123.39	0.00	19.407	0.274	125.703
		Max Case	COMB3	COMB4	COMB21	COMB12	COMB11	COMB2
LT 9	B2	Min Value	0.00	-142.62	0.00	-28.190	0.000	-200.806
		Min Case	COMB21	COMB2	COMB14	COMB2	COMB18	COMB4
		Max Value	0.00	146.79	0.00	28.204	0.000	161.386
		Max Case	COMB21	COMB2	COMB17	COMB2	COMB17	COMB2
LT 9	B3	Min Value	0.00	-143.95	0.00	-26.359	0.000	-199.007
		Min Case	COMB21	COMB2	COMB15	COMB2	COMB18	COMB6
		Max Value	0.00	143.95	0.00	26.359	0.000	151.976
		Max Case	COMB21	COMB2	COMB18	COMB2	COMB17	COMB2
LT 9	B4	Min Value	0.00	-146.79	0.00	-28.204	0.000	-200.806
		Min Case	COMB21	COMB2	COMB15	COMB2	COMB18	COMB6
		Max Value	0.00	142.62	0.00	28.190	0.000	161.386
		Max Case	COMB21	COMB2	COMB18	COMB2	COMB11	COMB2

LT 9	B5	Min Value	-6.09	-123.39	-0.01	-19.407	-0.203	-159.431
		Min Case	EX	COMB6	EX	COMB14	COMB13	COMB6
		Max Value	19.38	96.86	0.13	24.873	0.274	125.703
		Max Case	COMB5	COMB4	COMB13	COMB2	COMB13	COMB2
LT 9	B6	Min Value	-1.52	-80.03	0.00	-15.200	-0.190	-116.015
		Min Case	COMB18	COMB1	COMB21	COMB5	COMB3	COMB13
		Max Value	14.85	104.24	0.08	17.739	0.189	77.194
		Max Case	COMB11	COMB13	COMB3	COMB2	COMB3	COMB14
LT 9	B7	Min Value	0.00	-63.97	0.00	-19.233	0.000	-128.539
		Min Case	COMB21	COMB2	COMB8	COMB2	COMB10	COMB2
		Max Value	0.00	98.93	0.00	10.628	0.000	88.153
		Max Case	COMB21	COMB2	COMB10	COMB2	COMB4	COMB2
LT 9	B8	Min Value	0.00	-121.94	0.00	-2.470	0.000	-148.708
		Min Case	COMB21	COMB2	COMB21	COMB1	EY	COMB14
		Max Value	0.00	121.95	0.00	0.004	0.000	111.627
		Max Case	COMB21	COMB2	COMB21	EY	COMB1	COMB2
LT 9	B9	Min Value	0.00	-103.45	0.00	-1.054	0.000	-183.079
		Min Case	COMB21	COMB2	EY	COMB2	COMB4	COMB2
		Max Value	0.00	137.23	0.00	0.000	0.000	151.030
		Max Case	COMB21	COMB2	COMB1	RAIN	COMB6	COMB2
LT 9	B10	Min Value	0.00	-119.95	0.00	-0.356	0.000	-144.755
		Min Case	COMB21	COMB2	COMB21	COMB2	EY	COMB11
		Max Value	0.00	123.95	0.00	0.001	0.000	118.035
		Max Case	COMB21	COMB2	COMB21	COMB10	COMB1	COMB2
LT 9	B11	Min Value	0.00	-101.94	0.00	-0.021	0.000	-190.734
		Min Case	COMB21	COMB2	EY	COMB10	COMB4	COMB2
		Max Value	0.00	138.74	0.00	0.021	0.000	149.419
		Max Case	COMB21	COMB2	COMB1	COMB3	COMB6	COMB2
LT 9	B12	Min Value	0.00	-119.95	0.00	-0.018	0.000	-144.755
		Min Case	COMB21	COMB2	COMB21	EX	EY	COMB13
		Max Value	0.00	123.95	0.00	0.356	0.000	118.035
		Max Case	COMB21	COMB2	COMB21	COMB2	COMB1	COMB2
LT 9	B13	Min Value	0.00	-103.45	0.00	-0.026	0.000	-183.079
		Min Case	COMB21	COMB2	EY	EX	COMB4	COMB2
		Max Value	0.00	137.23	0.00	1.054	0.000	151.030
		Max Case	COMB21	COMB2	COMB1	COMB2	COMB6	COMB2
LT 9	B14	Min Value	0.00	-121.94	0.00	-0.004	0.000	-148.708
		Min Case	COMB21	COMB2	COMB21	EY	EY	COMB12
		Max Value	0.00	121.95	0.00	2.470	0.000	111.627
		Max Case	COMB21	COMB2	COMB21	COMB1	COMB1	COMB2
LT 9	B15	Min Value	0.00	-63.97	0.00	-10.628	0.000	-128.539
		Min Case	COMB21	COMB2	COMB8	COMB2	COMB10	COMB2
		Max Value	0.00	98.93	0.00	19.233	0.000	88.153
		Max Case	COMB21	COMB2	COMB10	COMB2	COMB4	COMB2
LT 9	B16	Min Value	-1.52	-80.03	-0.08	-17.739	-0.189	-116.015
		Min Case	COMB16	COMB1	COMB5	COMB2	COMB5	COMB11
		Max Value	14.85	104.24	0.02	15.200	0.190	77.194
		Max Case	COMB13	COMB11	EX	COMB3	COMB5	COMB12
LT 9	B17	Min Value	0.00	-40.61	0.00	-3.314	0.000	-32.564
		Min Case	COMB21	COMB2	COMB17	COMB13	COMB17	COMB5
		Max Value	0.00	9.26	0.00	0.060	0.000	34.249
		Max Case	COMB21	COMB4	COMB14	EX	COMB14	COMB2
LT 9	B18	Min Value	0.00	-9.26	0.00	0.000	0.000	-32.564
		Min Case	COMB21	COMB6	COMB17	RAIN	COMB16	COMB3
		Max Value	0.00	40.61	0.00	3.314	0.000	34.249
		Max Case	COMB21	COMB2	COMB16	COMB11	COMB13	COMB2
LT 9	B19	Min Value	0.00	-220.96	0.00	-10.112	0.000	-308.195
		Min Case	COMB21	COMB2	COMB17	COMB14	COMB12	COMB2
		Max Value	0.00	243.74	0.00	7.733	0.000	326.447
		Max Case	COMB21	COMB2	COMB12	COMB14	COMB17	COMB2
LT 9	B20	Min Value	0.00	-213.96	0.00	-3.725	0.000	-326.037
		Min Case	COMB21	COMB2	COMB14	COMB13	COMB18	COMB2
		Max Value	0.00	220.43	0.00	7.769	0.000	293.897
		Max Case	COMB21	COMB2	COMB17	COMB11	COMB17	COMB2
LT 9	B21	Min Value	0.00	-196.71	0.00	-29.468	0.000	-297.351
		Min Case	COMB21	COMB2	COMB10	COMB2	COMB17	COMB2
		Max Value	0.00	196.71	0.00	29.468	0.000	265.244
		Max Case	COMB21	COMB2	COMB8	COMB2	COMB16	COMB2
LT 9	B22	Min Value	0.00	-220.43	0.00	-7.769	0.000	-326.037
		Min Case	COMB21	COMB2	COMB15	COMB13	COMB18	COMB2
		Max Value	0.00	213.96	0.00	3.725	0.000	293.897
		Max Case	COMB21	COMB2	COMB18	COMB11	COMB11	COMB2
LT 9	B23	Min Value	0.00	-243.74	0.00	-7.733	0.000	-308.195
		Min Case	COMB21	COMB2	COMB14	COMB12	COMB14	COMB2
		Max Value	0.00	220.96	0.00	10.112	0.000	326.447
		Max Case	COMB21	COMB2	COMB17	COMB12	COMB17	COMB2

LT 9	B24	Min Value	0.00	-28.30	0.00	0.000	0.000	-42.517
		Min Case	COMB21	COMB2	COMB10	RAIN	COMB8	COMB2
		Max Value	0.00	0.10	0.00	2.773	0.000	3.658
		Max Case	COMB21	EY	COMB8	COMB3	COMB6	COMB11
LT 9	B25	Min Value	0.00	-28.30	0.00	-2.773	0.000	-42.517
		Min Case	COMB21	COMB2	COMB10	COMB5	COMB8	COMB2
		Max Value	0.00	0.73	0.00	0.922	0.000	3.658
		Max Case	COMB21	EX	COMB8	EX	COMB6	COMB13
LT 9	B26	Min Value	0.00	-32.50	0.00	-3.658	0.000	-44.012
		Min Case	COMB21	COMB2	COMB21	COMB11	COMB15	COMB2
		Max Value	0.00	2.89	0.00	0.000	0.000	2.773
		Max Case	COMB21	COMB4	COMB21	RAIN	COMB18	COMB3
LT 9	B27	Min Value	0.00	-2.89	0.00	-0.330	0.000	-44.012
		Min Case	COMB21	COMB6	COMB15	EX	COMB18	COMB2
		Max Value	0.00	32.50	0.00	3.658	0.000	2.773
		Max Case	COMB21	COMB2	COMB18	COMB13	COMB15	COMB5
LT 9	B28	Min Value	0.00	-108.98	0.00	-0.006	0.000	-144.295
		Min Case	COMB21	COMB2	COMB20	EY	COMB2	COMB11
		Max Value	0.00	110.72	0.00	1.477	0.000	86.223
		Max Case	COMB21	COMB2	COMB2	COMB2	LIVE	COMB2
LT 9	B29	Min Value	0.00	-116.45	0.00	-0.156	0.000	-172.529
		Min Case	COMB21	COMB2	COMB21	LIVE	COMB20	COMB2
		Max Value	0.00	124.23	0.00	0.186	0.000	109.575
		Max Case	COMB21	COMB2	COMB21	COMB10	COMB2	COMB2
LT 9	B30	Min Value	0.00	-159.24	0.00	-1.161	0.000	-196.186
		Min Case	COMB21	COMB2	COMB20	COMB2	COMB2	COMB11
		Max Value	0.00	161.34	0.00	0.026	0.000	130.097
		Max Case	COMB21	COMB2	COMB2	EX	LIVE	COMB2
LT 9	B31	Min Value	0.00	-120.76	0.00	0.000	0.000	-176.879
		Min Case	COMB21	COMB2	COMB21	RAIN	COMB20	COMB2
		Max Value	0.00	119.92	0.00	0.329	0.000	91.352
		Max Case	COMB21	COMB2	COMB21	COMB2	COMB2	COMB2
LT 9	B32	Min Value	0.00	-111.51	0.00	-12.901	0.000	-159.496
		Min Case	COMB21	COMB2	COMB10	COMB2	COMB8	COMB14
		Max Value	0.00	120.08	0.00	31.111	0.000	91.464
		Max Case	COMB21	COMB2	COMB8	COMB2	COMB10	COMB2
LT 9	B34	Min Value	0.00	-103.11	0.00	-0.021	0.000	-143.200
		Min Case	COMB21	COMB2	COMB21	COMB4	COMB10	COMB2
		Max Value	0.00	81.32	0.00	0.021	0.000	63.204
		Max Case	COMB21	COMB2	COMB21	COMB9	COMB4	COMB2
LT 9	B35	Min Value	0.00	-111.51	0.00	-31.111	0.000	-159.496
		Min Case	COMB21	COMB2	COMB10	COMB2	COMB8	COMB12
		Max Value	0.00	120.08	0.00	12.901	0.000	91.464
		Max Case	COMB21	COMB2	COMB8	COMB2	COMB10	COMB2
LT 9	B36	Min Value	0.00	-120.76	0.00	-0.329	0.000	-176.879
		Min Case	COMB21	COMB2	COMB21	COMB2	COMB20	COMB2
		Max Value	0.00	119.92	0.00	0.019	0.000	91.352
		Max Case	COMB21	COMB2	COMB21	EX	COMB2	COMB2
LT 9	B37	Min Value	0.00	-159.24	0.00	0.000	0.000	-196.186
		Min Case	COMB21	COMB2	COMB20	RAIN	COMB2	COMB13
		Max Value	0.00	161.34	0.00	1.161	0.000	130.097
		Max Case	COMB21	COMB2	COMB2	COMB2	LIVE	COMB2
LT 9	B38	Min Value	0.00	-116.45	0.00	-0.186	0.000	-172.529
		Min Case	COMB21	COMB2	COMB21	COMB8	COMB20	COMB2
		Max Value	0.00	124.23	0.00	0.156	0.000	109.575
		Max Case	COMB21	COMB2	COMB21	LIVE	COMB2	COMB2
LT 9	B39	Min Value	0.00	-108.98	0.00	-1.477	0.000	-144.295
		Min Case	COMB21	COMB2	COMB20	COMB2	COMB2	COMB13
		Max Value	0.00	110.72	0.00	0.120	0.000	86.223
		Max Case	COMB21	COMB2	COMB2	EX	LIVE	COMB2
LT 9	B40	Min Value	0.00	-250.81	0.00	-2.800	0.000	-332.707
		Min Case	COMB21	COMB2	COMB17	EY	COMB12	COMB2
		Max Value	0.00	261.74	0.00	3.168	0.000	367.039
		Max Case	COMB21	COMB2	COMB12	COMB11	COMB17	COMB2
LT 9	B41	Min Value	0.00	-214.17	0.00	-5.834	0.000	-330.772
		Min Case	COMB21	COMB2	COMB14	COMB14	COMB18	COMB2
		Max Value	0.00	219.00	0.00	2.799	0.000	284.095
		Max Case	COMB21	COMB2	COMB17	EY	COMB17	COMB2
LT 9	B42	Min Value	0.00	-244.54	0.00	-6.012	0.000	-333.504
		Min Case	COMB21	COMB2	COMB15	COMB14	COMB18	COMB2
		Max Value	0.00	244.54	0.00	6.012	0.000	303.956
		Max Case	COMB21	COMB2	COMB18	COMB12	COMB17	COMB2
LT 9	B43	Min Value	0.00	-219.00	0.00	-2.799	0.000	-330.772
		Min Case	COMB21	COMB2	COMB15	EY	COMB18	COMB2
		Max Value	0.00	214.17	0.00	5.834	0.000	284.095

		Max Case	COMB21	COMB2	COMB18	COMB12	COMB11	COMB2
LT 9	B44	Min Value	0.00	-261.74	0.00	-3.168	0.000	-332.707
		Min Case	COMB21	COMB2	COMB14	COMB13	COMB14	COMB2
		Max Value	0.00	250.81	0.00	2.800	0.000	367.039
		Max Case	COMB21	COMB2	COMB17	EY	COMB17	COMB2
LT 9	B45	Min Value	0.00	-111.35	0.00	-6.491	0.000	-133.111
		Min Case	COMB21	COMB14	COMB1	COMB2	EY	COMB14
		Max Value	0.00	108.65	0.00	0.043	0.000	99.767
		Max Case	COMB21	COMB11	EY	EY	COMB1	COMB2
LT 9	B46	Min Value	0.00	-135.25	0.00	-1.307	0.000	-172.489
		Min Case	COMB21	COMB2	COMB21	COMB2	EY	COMB2
		Max Value	0.00	105.43	0.00	0.012	0.000	153.691
		Max Case	COMB21	COMB2	COMB21	EY	COMB14	COMB2
LT 9	B47	Min Value	0.00	-161.20	0.00	-0.005	0.000	-177.558
		Min Case	COMB21	COMB2	COMB1	LIVE	EY	COMB14
		Max Value	0.00	159.38	0.00	1.917	0.000	149.698
		Max Case	COMB21	COMB2	EY	COMB1	COMB1	COMB2
LT 9	B48	Min Value	0.00	-136.86	0.00	-0.005	0.000	-175.672
		Min Case	COMB21	COMB2	COMB21	EX	EY	COMB2
		Max Value	0.00	103.83	0.00	0.676	0.000	156.932
		Max Case	COMB21	COMB2	COMB21	COMB1	COMB14	COMB2
LT 9	B49	Min Value	0.00	-160.00	0.00	-1.359	0.000	-173.920
		Min Case	COMB21	COMB2	COMB1	COMB1	EY	COMB11
		Max Value	0.00	160.58	0.00	0.088	0.000	156.019
		Max Case	COMB21	COMB2	EY	LIVE	COMB1	COMB2
LT 9	B50	Min Value	0.00	-132.89	0.00	-0.022	0.000	-151.253
		Min Case	COMB21	COMB2	COMB21	COMB8	EY	COMB2
		Max Value	0.00	107.79	0.00	0.022	0.000	165.493
		Max Case	COMB21	COMB2	COMB21	COMB5	COMB14	COMB2
LT 9	B51	Min Value	0.00	-160.00	0.00	-0.088	0.000	-173.920
		Min Case	COMB21	COMB2	COMB1	LIVE	EY	COMB13
		Max Value	0.00	160.58	0.00	1.359	0.000	156.019
		Max Case	COMB21	COMB2	EY	COMB1	COMB1	COMB2
LT 9	B52	Min Value	0.00	-136.86	0.00	-0.676	0.000	-175.672
		Min Case	COMB21	COMB2	COMB21	COMB1	EY	COMB2
		Max Value	0.00	103.83	0.00	0.003	0.000	156.932
		Max Case	COMB21	COMB2	COMB21	EY	COMB14	COMB2
LT 9	B53	Min Value	0.00	-161.20	0.00	-1.917	0.000	-177.558
		Min Case	COMB21	COMB2	COMB1	COMB1	EY	COMB12
		Max Value	0.00	159.38	0.00	0.008	0.000	149.698
		Max Case	COMB21	COMB2	EY	EX	COMB1	COMB2
LT 9	B54	Min Value	0.00	-135.25	0.00	-0.012	0.000	-172.489
		Min Case	COMB21	COMB2	COMB21	EY	EY	COMB2
		Max Value	0.00	105.43	0.00	1.307	0.000	153.691
		Max Case	COMB21	COMB2	COMB21	COMB2	COMB14	COMB2
LT 9	B55	Min Value	0.00	-111.35	0.00	-0.043	0.000	-133.111
		Min Case	COMB21	COMB12	COMB1	EY	EY	COMB12
		Max Value	0.00	108.65	0.00	6.491	0.000	99.767
		Max Case	COMB21	COMB13	EY	COMB2	COMB1	COMB2
LT 9	B56	Min Value	0.00	-141.05	0.00	-26.572	0.000	-193.632
		Min Case	COMB21	COMB2	COMB17	COMB2	COMB12	COMB3
		Max Value	0.00	150.34	0.00	34.100	0.000	181.681
		Max Case	COMB21	COMB2	COMB12	COMB2	COMB17	COMB2
LT 9	B57	Min Value	0.00	-144.64	0.00	-25.774	0.000	-201.628
		Min Case	COMB21	COMB2	COMB14	COMB2	COMB18	COMB3
		Max Value	0.00	145.14	0.00	26.036	0.000	155.097
		Max Case	COMB21	COMB2	COMB17	COMB2	COMB17	COMB2
LT 9	B58	Min Value	0.00	-146.87	0.00	-28.563	0.000	-202.344
		Min Case	COMB21	COMB2	COMB15	COMB2	COMB18	COMB3
		Max Value	0.00	146.87	0.00	28.563	0.000	159.625
		Max Case	COMB21	COMB2	COMB18	COMB2	COMB17	COMB2
LT 9	B59	Min Value	0.00	-145.14	0.00	-26.036	0.000	-201.628
		Min Case	COMB21	COMB2	COMB15	COMB2	COMB18	COMB5
		Max Value	0.00	144.64	0.00	25.774	0.000	155.097
		Max Case	COMB21	COMB2	COMB18	COMB2	COMB11	COMB2
LT 9	B60	Min Value	0.00	-150.34	0.00	-34.100	0.000	-193.632
		Min Case	COMB21	COMB2	COMB14	COMB2	COMB14	COMB5
		Max Value	0.00	141.05	0.00	26.572	0.000	181.681
		Max Case	COMB21	COMB2	COMB17	COMB2	COMB17	COMB2
LT 8	B1	Min Value	-22.51	-106.29	0.00	-27.572	-0.365	-167.127
		Min Case	COMB2	COMB6	EY	COMB12	COMB2	COMB6
		Max Value	0.32	125.17	0.18	23.711	0.295	121.578
		Max Case	EY	COMB4	COMB4	COMB12	COMB3	COMB2
LT 8	B2	Min Value	0.00	-144.46	0.00	-32.039	0.000	-214.846
		Min Case	COMB21	COMB6	COMB6	COMB14	COMB6	COMB4

		Max Value	0.00	146.51	0.00	32.405	0.000	160.135
		Max Case	COMB21	COMB4	COMB8	COMB14	COMB6	COMB2
LT 8	B3	Min Value	0.00	-144.76	0.00	-30.644	0.000	-213.026
		Min Case	COMB21	COMB6	COMB8	COMB14	COMB13	COMB6
		Max Value	0.00	144.76	0.00	30.644	0.000	153.890
		Max Case	COMB21	COMB4	COMB10	COMB12	COMB12	COMB2
LT 8	B4	Min Value	0.00	-146.51	0.00	-32.405	0.000	-214.846
		Min Case	COMB21	COMB6	COMB21	COMB12	COMB18	COMB6
		Max Value	0.00	144.46	0.00	32.039	0.000	160.135
		Max Case	COMB21	COMB4	COMB21	COMB12	COMB13	COMB2
LT 8	B5	Min Value	-22.51	-125.17	-0.18	-23.711	-0.365	-167.127
		Min Case	COMB2	COMB6	COMB6	COMB14	COMB2	COMB4
		Max Value	0.32	106.29	0.01	27.572	0.295	121.578
		Max Case	EY	COMB4	EX	COMB14	COMB5	COMB2
LT 8	B6	Min Value	-18.89	-89.51	-0.10	-24.659	-0.255	-151.116
		Min Case	COMB2	COMB14	COMB6	COMB5	COMB6	COMB14
		Max Value	0.85	107.23	0.01	18.780	0.234	85.844
		Max Case	EY	COMB13	EX	COMB5	COMB6	COMB14
LT 8	B7	Min Value	0.00	-63.96	0.00	-17.681	0.000	-128.616
		Min Case	COMB21	COMB2	COMB8	COMB3	COMB10	COMB2
		Max Value	0.00	98.07	0.00	9.789	0.000	84.985
		Max Case	COMB21	COMB2	COMB10	COMB3	COMB4	COMB2
LT 8	B8	Min Value	0.00	-127.19	0.00	-1.543	0.000	-187.649
		Min Case	COMB21	COMB2	COMB20	COMB1	COMB2	COMB14
		Max Value	0.00	115.69	0.00	0.023	0.000	107.308
		Max Case	COMB21	COMB2	COMB2	EX	COMB20	COMB2
LT 8	B9	Min Value	0.00	-104.33	0.00	-1.156	0.000	-182.979
		Min Case	COMB21	COMB2	COMB21	COMB2	COMB18	COMB2
		Max Value	0.00	136.35	0.00	0.000	0.000	147.624
		Max Case	COMB21	COMB2	COMB21	RAIN	COMB13	COMB2
LT 8	B10	Min Value	0.00	-123.83	0.00	-0.200	0.000	-174.393
		Min Case	COMB21	COMB2	COMB20	COMB2	COMB2	COMB14
		Max Value	0.00	119.04	0.00	0.023	0.000	110.087
		Max Case	COMB21	COMB2	COMB2	COMB10	COMB20	COMB2
LT 8	B11	Min Value	0.00	-102.91	0.00	-0.008	0.000	-190.114
		Min Case	COMB21	COMB2	COMB21	COMB10	COMB18	COMB2
		Max Value	0.00	137.77	0.00	0.008	0.000	146.137
		Max Case	COMB21	COMB2	COMB21	COMB3	COMB13	COMB2
LT 8	B12	Min Value	0.00	-123.83	0.00	-0.023	0.000	-174.393
		Min Case	COMB21	COMB2	COMB20	COMB8	COMB2	COMB12
		Max Value	0.00	119.04	0.00	0.200	0.000	110.087
		Max Case	COMB21	COMB2	COMB2	COMB2	COMB20	COMB2
LT 8	B13	Min Value	0.00	-104.33	0.00	-0.031	0.000	-182.979
		Min Case	COMB21	COMB2	COMB21	EX	COMB18	COMB2
		Max Value	0.00	136.35	0.00	1.156	0.000	147.624
		Max Case	COMB21	COMB2	COMB21	COMB2	COMB13	COMB2
LT 8	B14	Min Value	0.00	-127.19	0.00	-0.005	0.000	-187.649
		Min Case	COMB21	COMB2	COMB20	EY	COMB2	COMB12
		Max Value	0.00	115.69	0.00	1.543	0.000	107.308
		Max Case	COMB21	COMB2	COMB2	COMB1	COMB20	COMB2
LT 8	B15	Min Value	0.00	-63.96	0.00	-9.789	0.000	-128.616
		Min Case	COMB21	COMB2	COMB8	COMB5	COMB10	COMB2
		Max Value	0.00	98.07	0.00	17.681	0.000	84.985
		Max Case	COMB21	COMB2	COMB10	COMB5	COMB4	COMB2
LT 8	B16	Min Value	-18.89	-89.51	-0.01	-18.780	-0.234	-151.116
		Min Case	COMB2	COMB12	EY	COMB3	COMB4	COMB12
		Max Value	0.85	107.23	0.10	24.659	0.255	85.844
		Max Case	EY	COMB11	COMB4	COMB3	COMB4	COMB12
LT 8	B17	Min Value	0.00	-41.47	0.00	-2.935	0.000	-43.439
		Min Case	COMB21	COMB2	COMB6	COMB13	COMB18	COMB5
		Max Value	0.00	9.35	0.00	0.097	0.000	32.547
		Max Case	COMB21	COMB4	COMB8	EX	COMB13	COMB3
LT 8	B18	Min Value	0.00	-9.35	0.00	0.000	0.000	-43.439
		Min Case	COMB21	COMB6	COMB14	RAIN	COMB18	COMB3
		Max Value	0.00	41.47	0.00	2.935	0.000	32.547
		Max Case	COMB21	COMB2	COMB15	COMB11	COMB17	COMB5
LT 8	B19	Min Value	0.00	-226.78	0.00	-12.846	0.000	-302.617
		Min Case	COMB21	COMB2	COMB15	COMB14	COMB18	COMB3
		Max Value	0.00	234.91	0.00	11.086	0.000	310.850
		Max Case	COMB21	COMB2	COMB18	COMB14	COMB11	COMB2
LT 8	B20	Min Value	0.00	-211.91	0.00	-6.339	0.000	-326.475
		Min Case	COMB21	COMB2	COMB6	COMB11	COMB6	COMB3
		Max Value	0.00	221.08	0.00	8.613	0.000	293.775
		Max Case	COMB21	COMB2	COMB8	COMB11	COMB6	COMB2
LT 8	B21	Min Value	0.00	-195.73	0.00	-30.957	0.000	-296.177

		Min Case	COMB21	COMB2	COMB6	COMB13	COMB18	COMB3
		Max Value	0.00	195.73	0.00	30.957	0.000	265.976
		Max Case	COMB21	COMB2	EX	COMB11	COMB11	COMB2
LT 8	B22	Min Value	0.00	-221.08	0.00	-8.613	0.000	-326.475
		Min Case	COMB21	COMB2	COMB21	COMB13	COMB18	COMB5
		Max Value	0.00	211.91	0.00	6.339	0.000	293.775
		Max Case	COMB21	COMB2	COMB21	COMB13	COMB13	COMB2
LT 8	B23	Min Value	0.00	-234.91	0.00	-11.086	0.000	-302.617
		Min Case	COMB21	COMB2	COMB17	COMB12	COMB16	COMB5
		Max Value	0.00	226.78	0.00	12.846	0.000	310.850
		Max Case	COMB21	COMB2	COMB18	COMB12	COMB13	COMB2
LT 8	B24	Min Value	0.00	-28.33	0.00	-0.611	0.000	-42.726
		Min Case	COMB21	COMB2	COMB21	COMB10	COMB8	COMB2
		Max Value	0.00	0.14	0.00	3.531	0.000	4.238
		Max Case	COMB21	EY	COMB21	COMB3	COMB10	COMB11
LT 8	B25	Min Value	0.00	-28.33	0.00	-3.531	0.000	-42.726
		Min Case	COMB21	COMB2	COMB21	COMB5	COMB8	COMB2
		Max Value	0.00	1.37	0.00	1.723	0.000	4.238
		Max Case	COMB21	EX	COMB21	EX	COMB10	COMB13
LT 8	B26	Min Value	0.00	-32.47	0.00	-4.238	0.000	-44.044
		Min Case	COMB21	COMB2	COMB1	COMB11	COMB17	COMB5
		Max Value	0.00	3.57	0.00	0.037	0.000	5.148
		Max Case	COMB21	COMB4	EY	COMB18	COMB14	EX
LT 8	B27	Min Value	0.00	-3.57	0.00	-0.626	0.000	-44.044
		Min Case	COMB21	COMB6	COMB17	EX	COMB18	COMB3
		Max Value	0.00	32.47	0.00	4.238	0.000	3.531
		Max Case	COMB21	COMB2	COMB18	COMB13	COMB17	COMB5
LT 8	B28	Min Value	0.00	-115.05	0.00	-0.021	0.000	-160.525
		Min Case	COMB21	COMB14	COMB1	EY	COMB1	COMB14
		Max Value	0.00	114.38	0.00	0.693	0.000	85.407
		Max Case	COMB21	COMB11	EY	COMB4	COMB1	COMB2
LT 8	B29	Min Value	0.00	-116.40	0.00	-0.135	0.000	-174.042
		Min Case	COMB21	COMB2	COMB21	LIVE	COMB1	COMB2
		Max Value	0.00	124.29	0.00	0.240	0.000	108.282
		Max Case	COMB21	COMB2	COMB21	COMB10	EY	COMB2
LT 8	B30	Min Value	0.00	-159.77	0.00	-0.590	0.000	-209.863
		Min Case	COMB21	COMB2	COMB1	COMB2	COMB1	COMB14
		Max Value	0.00	158.70	0.00	0.061	0.000	128.899
		Max Case	COMB21	COMB2	EY	EX	COMB1	COMB2
LT 8	B31	Min Value	0.00	-121.26	0.00	0.000	0.000	-178.418
		Min Case	COMB21	COMB2	COMB21	RAIN	COMB1	COMB2
		Max Value	0.00	119.42	0.00	0.361	0.000	91.825
		Max Case	COMB21	COMB2	COMB21	COMB2	EY	COMB2
LT 8	B32	Min Value	0.00	-113.04	0.00	-13.878	0.000	-177.783
		Min Case	COMB21	COMB14	COMB1	COMB5	COMB10	COMB14
		Max Value	0.00	118.13	0.00	30.225	0.000	94.484
		Max Case	COMB21	COMB2	COMB21	COMB2	COMB4	COMB2
LT 8	B34	Min Value	0.00	-103.35	0.00	-0.021	0.000	-143.429
		Min Case	COMB21	COMB2	COMB8	COMB4	COMB10	COMB2
		Max Value	0.00	81.08	0.00	0.021	0.000	63.814
		Max Case	COMB21	COMB2	COMB10	COMB9	COMB8	COMB2
LT 8	B35	Min Value	0.00	-113.04	0.00	-30.225	0.000	-177.783
		Min Case	COMB21	COMB12	COMB1	COMB2	COMB10	COMB12
		Max Value	0.00	118.13	0.00	13.878	0.000	94.484
		Max Case	COMB21	COMB2	COMB21	COMB3	COMB4	COMB2
LT 8	B36	Min Value	0.00	-121.26	0.00	-0.361	0.000	-178.418
		Min Case	COMB21	COMB2	COMB21	COMB2	COMB1	COMB2
		Max Value	0.00	119.42	0.00	0.008	0.000	91.825
		Max Case	COMB21	COMB2	COMB21	EX	EY	COMB2
LT 8	B37	Min Value	0.00	-159.77	0.00	0.000	0.000	-209.863
		Min Case	COMB21	COMB2	COMB1	RAIN	COMB1	COMB12
		Max Value	0.00	158.70	0.00	0.590	0.000	128.899
		Max Case	COMB21	COMB2	EY	COMB2	COMB1	COMB2
LT 8	B38	Min Value	0.00	-116.40	0.00	-0.240	0.000	-174.042
		Min Case	COMB21	COMB2	COMB21	COMB8	COMB1	COMB2
		Max Value	0.00	124.29	0.00	0.135	0.000	108.282
		Max Case	COMB21	COMB2	COMB21	LIVE	EY	COMB2
LT 8	B39	Min Value	0.00	-115.05	0.00	-0.693	0.000	-160.525
		Min Case	COMB21	COMB12	COMB1	COMB6	COMB1	COMB12
		Max Value	0.00	114.38	0.00	0.160	0.000	85.407
		Max Case	COMB21	COMB13	EY	EX	COMB1	COMB2
LT 8	B40	Min Value	0.00	-256.92	0.00	-5.467	0.000	-340.288
		Min Case	COMB21	COMB2	COMB15	COMB18	COMB18	COMB6
		Max Value	0.00	252.99	0.00	5.576	0.000	349.072
		Max Case	COMB21	COMB2	COMB18	COMB14	COMB11	COMB2

LT 8	B41	Min Value	0.00	-211.96	0.00	-8.092	0.000	-325.010
		Min Case	COMB21	COMB2	COMB6	COMB14	COMB6	COMB4
		Max Value	0.00	218.30	0.00	5.555	0.000	286.418
		Max Case	COMB21	COMB2	COMB8	COMB14	COMB6	COMB2
LT 8	B42	Min Value	0.00	-243.19	0.00	-9.542	0.000	-333.910
		Min Case	COMB21	COMB2	COMB8	COMB14	COMB13	COMB6
		Max Value	0.00	243.19	0.00	9.542	0.000	300.551
		Max Case	COMB21	COMB2	COMB10	COMB12	COMB12	COMB2
LT 8	B43	Min Value	0.00	-218.30	0.00	-5.555	0.000	-325.010
		Min Case	COMB21	COMB2	COMB21	COMB12	COMB18	COMB6
		Max Value	0.00	211.96	0.00	8.092	0.000	286.418
		Max Case	COMB21	COMB2	COMB21	COMB12	COMB13	COMB2
LT 8	B44	Min Value	0.00	-252.99	0.00	-5.576	0.000	-340.288
		Min Case	COMB21	COMB2	COMB17	COMB12	COMB16	COMB4
		Max Value	0.00	256.92	0.00	5.467	0.000	349.072
		Max Case	COMB21	COMB2	COMB18	COMB16	COMB13	COMB2
LT 8	B45	Min Value	0.00	-112.77	0.00	-4.422	0.000	-169.344
		Min Case	COMB21	COMB14	COMB2	COMB2	COMB1	COMB11
		Max Value	0.00	118.57	0.00	0.058	0.000	92.474
		Max Case	COMB21	COMB11	COMB1	EX	COMB2	COMB2
LT 8	B46	Min Value	0.00	-134.65	0.00	-1.322	0.000	-174.330
		Min Case	COMB21	COMB2	COMB21	COMB2	COMB2	COMB2
		Max Value	0.00	106.03	0.00	0.010	0.000	149.468
		Max Case	COMB21	COMB2	COMB21	EY	COMB1	COMB2
LT 8	B47	Min Value	0.00	-153.83	0.00	-0.038	0.000	-220.116
		Min Case	COMB21	COMB2	COMB2	LIVE	COMB1	COMB11
		Max Value	0.00	164.64	0.00	1.192	0.000	140.195
		Max Case	COMB21	COMB2	COMB1	COMB1	COMB2	COMB2
LT 8	B48	Min Value	0.00	-135.48	0.00	-0.015	0.000	-174.709
		Min Case	COMB21	COMB2	COMB21	EX	COMB2	COMB2
		Max Value	0.00	105.20	0.00	0.663	0.000	152.381
		Max Case	COMB21	COMB2	COMB21	COMB1	COMB1	COMB2
LT 8	B49	Min Value	0.00	-153.95	0.00	-0.835	0.000	-216.350
		Min Case	COMB21	COMB2	COMB2	COMB1	COMB1	COMB11
		Max Value	0.00	164.52	0.00	0.060	0.000	143.620
		Max Case	COMB21	COMB2	COMB1	EX	COMB2	COMB2
LT 8	B50	Min Value	0.00	-132.06	0.00	-0.032	0.000	-153.618
		Min Case	COMB21	COMB2	COMB21	COMB8	COMB2	COMB2
		Max Value	0.00	108.62	0.00	0.032	0.000	159.814
		Max Case	COMB21	COMB2	COMB21	COMB5	COMB1	COMB2
LT 8	B51	Min Value	0.00	-153.95	0.00	-0.054	0.000	-216.350
		Min Case	COMB21	COMB2	COMB2	LIVE	COMB1	COMB13
		Max Value	0.00	164.52	0.00	0.835	0.000	143.620
		Max Case	COMB21	COMB2	COMB1	COMB1	COMB2	COMB2
LT 8	B52	Min Value	0.00	-135.48	0.00	-0.663	0.000	-174.709
		Min Case	COMB21	COMB2	COMB21	COMB1	COMB2	COMB2
		Max Value	0.00	105.20	0.00	0.003	0.000	152.381
		Max Case	COMB21	COMB2	COMB21	EY	COMB1	COMB2
LT 8	B53	Min Value	0.00	-153.83	0.00	-1.192	0.000	-220.116
		Min Case	COMB21	COMB2	COMB2	COMB1	COMB1	COMB13
		Max Value	0.00	164.64	0.00	0.038	0.000	140.195
		Max Case	COMB21	COMB2	COMB1	LIVE	COMB2	COMB2
LT 8	B54	Min Value	0.00	-134.65	0.00	-0.017	0.000	-174.330
		Min Case	COMB21	COMB2	COMB21	EX	COMB2	COMB2
		Max Value	0.00	106.03	0.00	1.322	0.000	149.468
		Max Case	COMB21	COMB2	COMB21	COMB2	COMB1	COMB2
LT 8	B55	Min Value	0.00	-112.77	0.00	-0.054	0.000	-169.344
		Min Case	COMB21	COMB12	COMB2	EY	COMB1	COMB13
		Max Value	0.00	118.57	0.00	4.422	0.000	92.474
		Max Case	COMB21	COMB13	COMB1	COMB2	COMB2	COMB2
LT 8	B56	Min Value	0.00	-148.42	0.00	-31.861	0.000	-213.152
		Min Case	COMB21	COMB5	COMB15	COMB11	COMB18	COMB5
		Max Value	0.00	147.47	0.00	36.597	0.000	172.352
		Max Case	COMB21	COMB3	COMB18	COMB11	COMB11	COMB2
LT 8	B57	Min Value	0.00	-145.86	0.00	-31.420	0.000	-217.910
		Min Case	COMB21	COMB5	COMB6	COMB11	COMB6	COMB3
		Max Value	0.00	146.95	0.00	31.312	0.000	157.528
		Max Case	COMB21	COMB3	COMB8	COMB11	COMB6	COMB2
LT 8	B58	Min Value	0.00	-147.95	0.00	-33.536	0.000	-218.733
		Min Case	COMB21	COMB5	COMB8	COMB13	COMB13	COMB3
		Max Value	0.00	147.95	0.00	33.536	0.000	159.733
		Max Case	COMB21	COMB3	COMB10	COMB11	COMB12	COMB2
LT 8	B59	Min Value	0.00	-146.95	0.00	-31.312	0.000	-217.910
		Min Case	COMB21	COMB5	COMB21	COMB13	COMB18	COMB5
		Max Value	0.00	145.86	0.00	31.420	0.000	157.528
		Max Case	COMB21	COMB3	COMB21	COMB13	COMB13	COMB2

LT 8	B60	Min Value	0.00	-147.47	0.00	-36.597	0.000	-213.152
		Min Case	COMB21	COMB5	COMB17	COMB13	COMB16	COMB3
		Max Value	0.00	148.42	0.00	31.861	0.000	172.352
		Max Case	COMB21	COMB3	COMB18	COMB13	COMB13	COMB2
LT 7	B1	Min Value	-0.03	-113.17	-0.17	-29.518	-0.260	-193.368
		Min Case	EY	COMB6	COMB13	COMB12	COMB13	COMB6
		Max Value	19.75	128.45	0.01	26.586	0.343	118.401
		Max Case	COMB4	COMB4	EX	COMB12	COMB13	COMB2
LT 7	B2	Min Value	0.00	-149.91	0.00	-35.166	0.000	-231.647
		Min Case	COMB21	COMB6	COMB10	COMB14	COMB8	COMB4
		Max Value	0.00	151.28	0.00	35.364	0.000	159.671
		Max Case	COMB21	COMB4	COMB4	COMB14	COMB4	COMB2
LT 7	B3	Min Value	0.00	-149.88	0.00	-33.631	0.000	-230.347
		Min Case	COMB21	COMB6	COMB16	COMB14	COMB13	COMB6
		Max Value	0.00	149.88	0.00	33.631	0.000	154.343
		Max Case	COMB21	COMB4	COMB17	COMB12	COMB16	COMB2
LT 7	B4	Min Value	0.00	-151.28	0.00	-35.364	0.000	-231.647
		Min Case	COMB21	COMB6	COMB2	COMB12	COMB2	COMB6
		Max Value	0.00	149.91	0.00	35.166	0.000	159.671
		Max Case	COMB21	COMB4	COMB2	COMB12	COMB2	COMB2
LT 7	B5	Min Value	-5.91	-128.45	0.00	-26.586	-0.260	-193.368
		Min Case	EX	COMB6	COMB8	COMB14	COMB11	COMB4
		Max Value	19.75	113.17	0.17	29.518	0.343	118.401
		Max Case	COMB6	COMB4	COMB11	COMB14	COMB11	COMB2
LT 7	B6	Min Value	0.00	-96.22	0.00	-30.382	-0.206	-176.348
		Min Case	COMB21	COMB14	COMB17	COMB5	COMB3	COMB14
		Max Value	18.13	111.67	0.09	19.980	0.212	91.864
		Max Case	COMB11	COMB13	COMB3	COMB5	COMB3	COMB14
LT 7	B7	Min Value	0.00	-63.83	0.00	-17.507	0.000	-129.494
		Min Case	COMB21	COMB2	COMB10	COMB3	COMB8	COMB2
		Max Value	0.00	97.76	0.00	9.670	0.000	83.070
		Max Case	COMB21	COMB2	COMB4	COMB3	COMB9	COMB2
LT 7	B8	Min Value	0.00	-131.85	0.00	-1.164	0.000	-215.831
		Min Case	COMB21	COMB14	COMB17	COMB1	COMB14	COMB14
		Max Value	0.00	118.18	0.00	0.040	0.000	103.913
		Max Case	COMB21	COMB11	COMB14	EX	COMB17	COMB2
LT 7	B9	Min Value	0.00	-104.68	0.00	-1.110	0.000	-183.283
		Min Case	COMB21	COMB2	COMB20	COMB2	COMB13	COMB2
		Max Value	0.00	136.00	0.00	0.000	0.000	145.895
		Max Case	COMB21	COMB2	COMB2	RAIN	COMB14	COMB2
LT 7	B10	Min Value	0.00	-128.51	0.00	-0.171	0.000	-202.086
		Min Case	COMB21	COMB14	COMB17	COMB2	COMB14	COMB14
		Max Value	0.00	121.37	0.00	0.005	0.000	106.217
		Max Case	COMB21	COMB11	COMB14	COMB8	COMB17	COMB2
LT 7	B11	Min Value	0.00	-103.29	0.00	-0.005	0.000	-190.255
		Min Case	COMB21	COMB2	COMB20	COMB8	COMB13	COMB2
		Max Value	0.00	137.39	0.00	0.005	0.000	144.497
		Max Case	COMB21	COMB2	COMB2	COMB5	COMB14	COMB2
LT 7	B12	Min Value	0.00	-128.51	0.00	-0.005	0.000	-202.086
		Min Case	COMB21	COMB12	COMB17	COMB10	COMB14	COMB12
		Max Value	0.00	121.37	0.00	0.171	0.000	106.217
		Max Case	COMB21	COMB13	COMB14	COMB2	COMB17	COMB2
LT 7	B13	Min Value	0.00	-104.68	0.00	-0.035	0.000	-183.283
		Min Case	COMB21	COMB2	COMB20	EX	COMB13	COMB2
		Max Value	0.00	136.00	0.00	1.110	0.000	145.895
		Max Case	COMB21	COMB2	COMB2	COMB2	COMB14	COMB2
LT 7	B14	Min Value	0.00	-131.85	0.00	-0.007	0.000	-215.831
		Min Case	COMB21	COMB12	COMB17	EY	COMB14	COMB12
		Max Value	0.00	118.18	0.00	1.164	0.000	103.913
		Max Case	COMB21	COMB13	COMB14	COMB1	COMB17	COMB2
LT 7	B15	Min Value	0.00	-63.83	0.00	-9.670	0.000	-129.494
		Min Case	COMB21	COMB2	COMB10	COMB5	COMB8	COMB2
		Max Value	0.00	97.76	0.00	17.507	0.000	83.070
		Max Case	COMB21	COMB2	COMB4	COMB5	COMB9	COMB2
LT 7	B16	Min Value	-0.28	-96.22	-0.09	-19.980	-0.212	-176.348
		Min Case	EX	COMB12	COMB5	COMB3	COMB5	COMB12
		Max Value	18.13	111.67	0.03	30.382	0.206	91.864
		Max Case	COMB13	COMB11	EX	COMB3	COMB5	COMB12
LT 7	B17	Min Value	0.00	-41.92	0.00	-2.897	0.000	-50.362
		Min Case	COMB21	COMB2	COMB2	COMB13	COMB21	COMB5
		Max Value	0.00	9.65	0.00	0.535	0.000	32.377
		Max Case	COMB21	COMB4	COMB20	COMB16	COMB2	COMB3
LT 7	B18	Min Value	0.00	-9.65	0.00	-0.535	0.000	-50.362
		Min Case	COMB21	COMB6	COMB1	COMB18	COMB2	COMB3
		Max Value	0.00	41.92	0.00	2.897	0.000	32.377

		Max Case	COMB21	COMB2	EY	COMB11	COMB1	COMB5
LT 7	B19	Min Value	0.00	-230.01	0.00	-14.869	0.000	-333.286
		Min Case	COMB21	COMB2	COMB8	COMB14	EX	COMB6
		Max Value	0.00	231.31	0.00	13.374	0.000	302.709
		Max Case	COMB21	COMB2	COMB10	COMB14	COMB6	COMB2
LT 7	B20	Min Value	0.00	-211.82	0.00	-8.396	0.000	-343.128
		Min Case	COMB21	COMB2	COMB10	COMB11	COMB8	COMB3
		Max Value	0.00	220.85	0.00	10.220	0.000	293.585
		Max Case	COMB21	COMB2	COMB4	COMB11	COMB4	COMB2
LT 7	B21	Min Value	0.00	-195.49	0.00	-32.990	0.000	-312.839
		Min Case	COMB21	COMB2	COMB17	COMB13	COMB13	COMB3
		Max Value	0.00	195.49	0.00	32.990	0.000	265.753
		Max Case	COMB21	COMB2	COMB18	COMB11	COMB16	COMB2
LT 7	B22	Min Value	0.00	-220.85	0.00	-10.220	0.000	-343.128
		Min Case	COMB21	COMB2	COMB2	COMB13	COMB2	COMB5
		Max Value	0.00	211.82	0.00	8.396	0.000	293.585
		Max Case	COMB21	COMB2	COMB2	COMB13	COMB2	COMB2
LT 7	B23	Min Value	0.00	-231.31	0.00	-13.374	0.000	-333.286
		Min Case	COMB21	COMB2	COMB18	COMB12	COMB17	COMB4
		Max Value	0.00	230.01	0.00	14.869	0.000	302.709
		Max Case	COMB21	COMB2	COMB17	COMB12	COMB18	COMB2
LT 7	B24	Min Value	0.00	-28.35	0.00	-1.293	0.000	-42.846
		Min Case	COMB21	COMB2	COMB21	COMB10	COMB21	COMB2
		Max Value	0.00	0.18	0.00	4.166	0.000	4.763
		Max Case	COMB21	EY	COMB21	COMB3	COMB21	COMB11
LT 7	B25	Min Value	0.00	-28.35	0.00	-4.166	0.000	-42.846
		Min Case	COMB21	COMB2	COMB21	COMB5	COMB21	COMB2
		Max Value	0.00	1.89	0.00	2.376	0.000	4.763
		Max Case	COMB21	EX	COMB21	EX	COMB21	COMB13
LT 7	B26	Min Value	0.00	-32.45	0.00	-4.763	0.000	-45.999
		Min Case	COMB21	COMB2	COMB21	COMB11	COMB21	COMB5
		Max Value	0.00	4.11	0.00	0.668	0.000	7.097
		Max Case	COMB21	COMB4	COMB21	COMB18	COMB21	EX
LT 7	B27	Min Value	0.00	-4.11	0.00	-0.868	0.000	-45.999
		Min Case	COMB21	COMB6	COMB8	EX	EX	COMB3
		Max Value	0.00	32.45	0.00	4.763	0.000	4.293
		Max Case	COMB21	COMB2	COMB10	COMB13	COMB6	COMB6
LT 7	B28	Min Value	0.00	-120.25	0.00	-0.028	0.000	-179.770
		Min Case	COMB21	COMB14	EY	EY	COMB1	COMB14
		Max Value	0.00	119.30	0.00	0.575	0.000	84.203
		Max Case	COMB21	COMB11	COMB1	COMB4	EY	COMB2
LT 7	B29	Min Value	0.00	-116.34	0.00	-0.126	0.000	-175.522
		Min Case	COMB21	COMB2	EY	LIVE	COMB1	COMB2
		Max Value	0.00	124.34	0.00	0.258	0.000	107.039
		Max Case	COMB21	COMB2	COMB1	COMB10	COMB1	COMB2
LT 7	B30	Min Value	0.00	-162.58	0.00	-0.482	0.000	-229.888
		Min Case	COMB21	COMB14	EY	COMB2	COMB1	COMB14
		Max Value	0.00	161.12	0.00	0.084	0.000	127.212
		Max Case	COMB21	COMB11	COMB1	EX	EY	COMB2
LT 7	B31	Min Value	0.00	-121.30	0.00	0.000	0.000	-179.218
		Min Case	COMB21	COMB2	EY	RAIN	COMB1	COMB2
		Max Value	0.00	119.38	0.00	0.346	0.000	91.175
		Max Case	COMB21	COMB2	COMB1	COMB2	COMB1	COMB2
LT 7	B32	Min Value	0.00	-118.46	0.00	-14.720	0.000	-196.262
		Min Case	COMB21	COMB14	COMB21	COMB5	COMB1	COMB14
		Max Value	0.00	121.53	0.00	31.279	0.000	94.288
		Max Case	COMB21	COMB13	COMB1	COMB5	COMB21	COMB2
LT 7	B34	Min Value	0.00	-103.50	0.00	-0.020	0.000	-144.525
		Min Case	COMB21	COMB2	COMB21	COMB4	COMB1	COMB2
		Max Value	0.00	80.93	0.00	0.020	0.000	63.251
		Max Case	COMB21	COMB2	COMB1	COMB9	COMB1	COMB2
LT 7	B35	Min Value	0.00	-118.46	0.00	-31.279	0.000	-196.262
		Min Case	COMB21	COMB12	COMB21	COMB3	COMB1	COMB12
		Max Value	0.00	121.53	0.00	14.720	0.000	94.288
		Max Case	COMB21	COMB11	COMB1	COMB3	COMB21	COMB2
LT 7	B36	Min Value	0.00	-121.30	0.00	-0.346	0.000	-179.218
		Min Case	COMB21	COMB2	EY	COMB2	COMB1	COMB2
		Max Value	0.00	119.38	0.00	0.000	0.000	91.175
		Max Case	COMB21	COMB2	COMB1	EX	COMB1	COMB2
LT 7	B37	Min Value	0.00	-162.58	0.00	0.000	0.000	-229.888
		Min Case	COMB21	COMB12	EY	RAIN	COMB1	COMB12
		Max Value	0.00	161.12	0.00	0.482	0.000	127.212
		Max Case	COMB21	COMB13	COMB1	COMB2	EY	COMB2
LT 7	B38	Min Value	0.00	-116.34	0.00	-0.258	0.000	-175.522
		Min Case	COMB21	COMB2	EY	COMB8	COMB1	COMB2

		Max Value	0.00	124.34	0.00	0.126	0.000	107.039
		Max Case	COMB21	COMB2	COMB1	LIVE	COMB1	COMB2
LT 7	B39	Min Value	0.00	-120.25	0.00	-0.575	0.000	-179.770
		Min Case	COMB21	COMB12	EY	COMB6	COMB1	COMB12
		Max Value	0.00	119.30	0.00	0.190	0.000	84.203
		Max Case	COMB21	COMB13	COMB1	EX	EY	COMB2
LT 7	B40	Min Value	0.00	-260.11	0.00	-7.658	0.000	-375.573
		Min Case	COMB21	COMB2	COMB8	COMB14	EX	COMB6
		Max Value	0.00	249.76	0.00	7.713	0.000	341.032
		Max Case	COMB21	COMB2	COMB10	COMB14	COMB6	COMB2
LT 7	B41	Min Value	0.00	-211.84	0.00	-10.010	0.000	-340.962
		Min Case	COMB21	COMB2	COMB10	COMB14	COMB8	COMB4
		Max Value	0.00	217.97	0.00	8.000	0.000	286.920
		Max Case	COMB21	COMB2	COMB4	COMB14	COMB4	COMB2
LT 7	B42	Min Value	0.00	-243.14	0.00	-11.861	0.000	-352.232
		Min Case	COMB21	COMB2	COMB16	COMB14	COMB13	COMB6
		Max Value	0.00	243.14	0.00	11.861	0.000	299.727
		Max Case	COMB21	COMB2	COMB17	COMB12	COMB16	COMB2
LT 7	B43	Min Value	0.00	-217.97	0.00	-8.000	0.000	-340.962
		Min Case	COMB21	COMB2	COMB2	COMB12	COMB2	COMB6
		Max Value	0.00	211.84	0.00	10.010	0.000	286.920
		Max Case	COMB21	COMB2	COMB2	COMB12	COMB2	COMB2
LT 7	B44	Min Value	0.00	-249.76	0.00	-7.713	0.000	-375.573
		Min Case	COMB21	COMB2	COMB18	COMB12	COMB17	COMB4
		Max Value	0.00	260.11	0.00	7.658	0.000	341.032
		Max Case	COMB21	COMB2	COMB17	COMB12	COMB18	COMB2
LT 7	B45	Min Value	0.00	-116.38	0.00	-3.248	0.000	-196.467
		Min Case	COMB21	COMB14	COMB14	COMB2	COMB14	COMB11
		Max Value	0.00	125.41	0.00	0.079	0.000	89.131
		Max Case	COMB21	COMB11	COMB17	EX	EY	COMB2
LT 7	B46	Min Value	0.00	-134.55	0.00	-1.277	0.000	-176.004
		Min Case	COMB21	COMB2	COMB2	COMB2	COMB14	COMB2
		Max Value	0.00	106.13	0.00	0.009	0.000	147.376
		Max Case	COMB21	COMB2	COMB20	EY	COMB13	COMB2
LT 7	B47	Min Value	0.00	-156.07	0.00	-0.034	0.000	-250.716
		Min Case	COMB21	COMB14	COMB14	LIVE	COMB14	COMB11
		Max Value	0.00	169.55	0.00	0.897	0.000	135.044
		Max Case	COMB21	COMB11	COMB17	COMB1	EY	COMB2
LT 7	B48	Min Value	0.00	-135.06	0.00	-0.022	0.000	-175.461
		Min Case	COMB21	COMB2	COMB2	EX	COMB14	COMB2
		Max Value	0.00	105.62	0.00	0.623	0.000	149.978
		Max Case	COMB21	COMB2	COMB20	COMB1	COMB13	COMB2
LT 7	B49	Min Value	0.00	-156.46	0.00	-0.659	0.000	-246.171
		Min Case	COMB21	COMB14	COMB14	COMB1	COMB14	COMB11
		Max Value	0.00	169.00	0.00	0.084	0.000	137.748
		Max Case	COMB21	COMB11	COMB17	EX	EY	COMB2
LT 7	B50	Min Value	0.00	-131.81	0.00	-0.039	0.000	-155.258
		Min Case	COMB21	COMB2	COMB2	COMB8	COMB14	COMB2
		Max Value	0.00	108.87	0.00	0.039	0.000	157.153
		Max Case	COMB21	COMB2	COMB20	COMB5	COMB13	COMB2
LT 7	B51	Min Value	0.00	-156.46	0.00	-0.040	0.000	-246.171
		Min Case	COMB21	COMB12	COMB14	LIVE	COMB14	COMB13
		Max Value	0.00	169.00	0.00	0.659	0.000	137.748
		Max Case	COMB21	COMB13	COMB17	COMB1	EY	COMB2
LT 7	B52	Min Value	0.00	-135.06	0.00	-0.623	0.000	-175.461
		Min Case	COMB21	COMB2	COMB2	COMB1	COMB14	COMB2
		Max Value	0.00	105.62	0.00	0.003	0.000	149.978
		Max Case	COMB21	COMB2	COMB20	EY	COMB13	COMB2
LT 7	B53	Min Value	0.00	-156.07	0.00	-0.897	0.000	-250.716
		Min Case	COMB21	COMB12	COMB14	COMB1	COMB14	COMB13
		Max Value	0.00	169.55	0.00	0.052	0.000	135.044
		Max Case	COMB21	COMB13	COMB17	EX	EY	COMB2
LT 7	B54	Min Value	0.00	-134.55	0.00	-0.023	0.000	-176.004
		Min Case	COMB21	COMB2	COMB2	EX	COMB14	COMB2
		Max Value	0.00	106.13	0.00	1.277	0.000	147.376
		Max Case	COMB21	COMB2	COMB20	COMB2	COMB13	COMB2
LT 7	B55	Min Value	0.00	-116.38	0.00	-0.058	0.000	-196.467
		Min Case	COMB21	COMB12	COMB14	EY	COMB14	COMB13
		Max Value	0.00	125.41	0.00	3.248	0.000	89.131
		Max Case	COMB21	COMB13	COMB17	COMB2	EY	COMB2
LT 7	B56	Min Value	0.00	-155.68	0.00	-35.297	0.000	-242.063
		Min Case	COMB21	COMB5	COMB8	COMB11	EX	COMB5
		Max Value	0.00	151.02	0.00	38.887	0.000	168.383
		Max Case	COMB21	COMB3	COMB10	COMB11	COMB6	COMB2
LT 7	B57	Min Value	0.00	-151.33	0.00	-34.859	0.000	-236.048

		Min Case	COMB21	COMB5	COMB10	COMB11	COMB8	COMB3
		Max Value	0.00	152.28	0.00	34.807	0.000	157.795
		Max Case	COMB21	COMB3	COMB4	COMB11	COMB4	COMB2
LT 7	B58	Min Value	0.00	-153.29	0.00	-36.853	0.000	-236.986
		Min Case	COMB21	COMB5	COMB16	COMB13	COMB13	COMB3
		Max Value	0.00	153.29	0.00	36.853	0.000	159.958
		Max Case	COMB21	COMB3	COMB17	COMB11	COMB16	COMB2
LT 7	B59	Min Value	0.00	-152.28	0.00	-34.807	0.000	-236.048
		Min Case	COMB21	COMB5	COMB2	COMB13	COMB2	COMB5
		Max Value	0.00	151.33	0.00	34.859	0.000	157.795
		Max Case	COMB21	COMB3	COMB2	COMB13	COMB2	COMB2
LT 7	B60	Min Value	0.00	-151.02	0.00	-38.887	0.000	-242.063
		Min Case	COMB21	COMB5	COMB18	COMB13	COMB17	COMB3
		Max Value	0.00	155.68	0.00	35.297	0.000	168.383
		Max Case	COMB21	COMB3	COMB17	COMB13	COMB18	COMB2
LT 6	B1	Min Value	-17.43	-118.18	0.00	-30.951	-0.298	-208.961
		Min Case	COMB4	COMB6	COMB20	COMB12	COMB11	COMB6
		Max Value	0.36	131.61	0.17	28.876	0.283	116.102
		Max Case	EY	COMB4	COMB3	COMB12	COMB3	COMB2
LT 6	B2	Min Value	0.00	-154.58	0.00	-37.651	0.000	-241.205
		Min Case	COMB21	COMB6	COMB16	COMB14	COMB13	COMB4
		Max Value	0.00	155.16	0.00	37.748	0.000	158.749
		Max Case	COMB21	COMB4	COMB13	COMB14	COMB16	COMB2
LT 6	B3	Min Value	0.00	-154.17	0.00	-36.099	0.000	-240.494
		Min Case	COMB21	COMB6	COMB17	COMB14	EY	COMB6
		Max Value	0.00	154.17	0.00	36.099	0.000	154.639
		Max Case	COMB21	COMB4	COMB12	COMB12	COMB14	COMB2
LT 6	B4	Min Value	0.00	-155.16	0.00	-37.748	0.000	-241.205
		Min Case	COMB21	COMB6	COMB14	COMB12	COMB11	COMB6
		Max Value	0.00	154.58	0.00	37.651	0.000	158.749
		Max Case	COMB21	COMB4	EY	COMB12	COMB18	COMB2
LT 6	B5	Min Value	-17.43	-131.61	-0.17	-28.876	-0.298	-208.961
		Min Case	COMB6	COMB6	COMB5	COMB14	COMB13	COMB4
		Max Value	2.50	118.18	0.03	30.951	0.283	116.102
		Max Case	EX	COMB4	EX	COMB14	COMB5	COMB2
LT 6	B6	Min Value	-14.09	-101.06	-0.07	-35.128	-0.185	-191.941
		Min Case	COMB13	COMB14	COMB6	COMB5	COMB6	COMB14
		Max Value	0.38	116.05	0.01	20.885	0.159	98.190
		Max Case	EX	COMB13	EX	COMB5	COMB6	COMB14
LT 6	B7	Min Value	0.00	-63.52	0.00	-17.643	0.000	-131.225
		Min Case	COMB21	COMB2	COMB4	COMB3	COMB10	COMB2
		Max Value	0.00	97.83	0.00	9.644	0.000	81.586
		Max Case	COMB21	COMB2	COMB10	COMB3	COMB4	COMB2
LT 6	B8	Min Value	0.00	-137.43	0.00	-0.821	0.000	-232.042
		Min Case	COMB21	COMB14	COMB2	COMB1	COMB8	COMB14
		Max Value	0.00	121.96	0.00	0.063	0.000	101.373
		Max Case	COMB21	COMB11	EY	EX	COMB6	COMB2
LT 6	B9	Min Value	0.00	-104.78	0.00	-1.004	0.000	-184.334
		Min Case	COMB21	COMB2	COMB2	COMB2	COMB21	COMB2
		Max Value	0.00	135.90	0.00	0.000	0.000	144.434
		Max Case	COMB21	COMB2	EY	RAIN	COMB2	COMB2
LT 6	B10	Min Value	0.00	-134.10	0.00	-0.118	0.000	-219.046
		Min Case	COMB21	COMB14	COMB2	COMB2	COMB8	COMB14
		Max Value	0.00	125.10	0.00	0.031	0.000	103.034
		Max Case	COMB21	COMB11	EY	COMB8	COMB6	COMB2
LT 6	B11	Min Value	0.00	-103.47	0.00	-0.022	0.000	-190.876
		Min Case	COMB21	COMB2	COMB2	COMB4	COMB21	COMB2
		Max Value	0.00	137.21	0.00	0.022	0.000	143.145
		Max Case	COMB21	COMB2	EY	COMB9	COMB2	COMB2
LT 6	B12	Min Value	0.00	-134.10	0.00	-0.031	0.000	-219.046
		Min Case	COMB21	COMB12	COMB2	COMB10	COMB8	COMB12
		Max Value	0.00	125.10	0.00	0.118	0.000	103.034
		Max Case	COMB21	COMB13	EY	COMB2	COMB6	COMB2
LT 6	B13	Min Value	0.00	-104.78	0.00	-0.040	0.000	-184.334
		Min Case	COMB21	COMB2	COMB2	EX	COMB21	COMB2
		Max Value	0.00	135.90	0.00	1.004	0.000	144.434
		Max Case	COMB21	COMB2	EY	COMB2	COMB2	COMB2
LT 6	B14	Min Value	0.00	-137.43	0.00	-0.007	0.000	-232.042
		Min Case	COMB21	COMB12	COMB2	EY	COMB8	COMB12
		Max Value	0.00	121.96	0.00	0.821	0.000	101.373
		Max Case	COMB21	COMB13	EY	COMB1	COMB6	COMB2
LT 6	B15	Min Value	0.00	-63.52	0.00	-9.644	0.000	-131.225
		Min Case	COMB21	COMB2	COMB4	COMB5	COMB10	COMB2
		Max Value	0.00	97.83	0.00	17.643	0.000	81.586
		Max Case	COMB21	COMB2	COMB10	COMB5	COMB4	COMB2

LT 6	B16	Min Value	-14.09	-101.06	0.00	-20.885	-0.159	-191.941
		Min Case	COMB11	COMB12	EY	COMB3	COMB4	COMB12
		Max Value	0.00	116.05	0.07	35.128	0.185	98.190
		Max Case	COMB21	COMB11	COMB4	COMB3	COMB4	COMB12
LT 6	B17	Min Value	0.00	-42.16	0.00	-2.935	0.000	-56.013
		Min Case	COMB21	COMB2	COMB2	COMB13	COMB14	COMB5
		Max Value	0.00	10.12	0.00	1.100	0.000	32.756
		Max Case	COMB21	COMB4	EY	COMB16	COMB13	COMB3
LT 6	B18	Min Value	0.00	-10.12	0.00	-1.100	0.000	-56.013
		Min Case	COMB21	COMB6	COMB14	COMB18	COMB17	COMB3
		Max Value	0.00	42.16	0.00	2.935	0.000	32.756
		Max Case	COMB21	COMB2	COMB17	COMB11	COMB12	COMB5
LT 6	B19	Min Value	0.00	-230.83	0.00	-16.826	0.000	-349.395
		Min Case	COMB21	COMB2	COMB12	COMB14	COMB13	COMB6
		Max Value	0.00	231.49	0.00	15.671	0.000	296.555
		Max Case	COMB21	COMB3	COMB17	COMB14	COMB16	COMB2
LT 6	B20	Min Value	0.00	-211.64	0.00	-10.796	0.000	-349.135
		Min Case	COMB21	COMB2	COMB16	COMB11	COMB13	COMB3
		Max Value	0.00	219.78	0.00	12.119	0.000	293.181
		Max Case	COMB21	COMB2	COMB13	COMB11	COMB16	COMB2
LT 6	B21	Min Value	0.00	-195.40	0.00	-35.351	0.000	-320.511
		Min Case	COMB21	COMB5	COMB15	COMB13	COMB14	COMB3
		Max Value	0.00	195.40	0.00	35.351	0.000	265.761
		Max Case	COMB21	COMB3	COMB18	COMB11	COMB15	COMB2
LT 6	B22	Min Value	0.00	-219.78	0.00	-12.119	0.000	-349.135
		Min Case	COMB21	COMB2	COMB14	COMB13	COMB11	COMB5
		Max Value	0.00	211.64	0.00	10.796	0.000	293.181
		Max Case	COMB21	COMB2	EY	COMB13	COMB18	COMB2
LT 6	B23	Min Value	0.00	-231.49	0.00	-15.671	0.000	-349.395
		Min Case	COMB21	COMB5	COMB14	COMB12	COMB14	COMB4
		Max Value	0.00	230.83	0.00	16.826	0.000	296.555
		Max Case	COMB21	COMB2	EY	COMB12	EY	COMB2
LT 6	B24	Min Value	0.00	-28.39	0.00	-2.011	0.000	-43.647
		Min Case	COMB21	COMB2	EX	COMB10	COMB6	COMB4
		Max Value	0.00	0.22	0.00	4.827	0.000	5.336
		Max Case	COMB21	EY	COMB6	COMB3	EX	COMB11
LT 6	B25	Min Value	0.00	-28.39	0.00	-4.827	0.000	-43.647
		Min Case	COMB21	COMB2	EX	COMB5	COMB6	COMB6
		Max Value	0.00	2.43	0.00	3.063	0.000	5.336
		Max Case	COMB21	EX	COMB6	EX	EX	COMB13
LT 6	B26	Min Value	0.00	-32.40	0.00	-5.336	0.000	-48.014
		Min Case	COMB21	COMB2	COMB6	COMB11	EX	COMB5
		Max Value	0.00	4.71	0.00	1.342	0.000	9.145
		Max Case	COMB21	COMB4	EX	COMB18	COMB6	EX
LT 6	B27	Min Value	0.00	-4.71	0.00	-1.342	0.000	-48.014
		Min Case	COMB21	COMB6	COMB18	COMB16	COMB17	COMB3
		Max Value	0.00	32.40	0.00	5.336	0.000	5.240
		Max Case	COMB21	COMB2	COMB17	COMB13	COMB18	COMB6
LT 6	B28	Min Value	0.00	-124.82	0.00	-0.083	0.000	-193.899
		Min Case	COMB21	COMB14	COMB18	COMB9	COMB18	COMB14
		Max Value	0.00	123.62	0.00	0.443	0.000	84.966
		Max Case	COMB21	COMB11	COMB13	COMB4	COMB13	COMB14
LT 6	B29	Min Value	0.00	-116.27	0.00	-0.135	0.000	-177.543
		Min Case	COMB21	COMB2	COMB18	EX	COMB3	COMB2
		Max Value	0.00	124.41	0.00	0.251	0.000	105.286
		Max Case	COMB21	COMB2	COMB13	COMB10	COMB10	COMB2
LT 6	B30	Min Value	0.00	-167.12	0.00	-0.381	0.000	-242.814
		Min Case	COMB21	COMB14	COMB18	COMB5	COMB18	COMB14
		Max Value	0.00	165.20	0.00	0.106	0.000	125.312
		Max Case	COMB21	COMB11	COMB13	EX	COMB13	COMB2
LT 6	B31	Min Value	0.00	-121.28	0.00	-0.008	0.000	-180.374
		Min Case	COMB21	COMB2	COMB18	EX	COMB3	COMB2
		Max Value	0.00	119.40	0.00	0.315	0.000	89.938
		Max Case	COMB21	COMB2	COMB13	COMB1	COMB10	COMB2
LT 6	B32	Min Value	0.00	-123.67	0.00	-15.610	0.000	-209.364
		Min Case	COMB21	COMB14	COMB1	COMB5	COMB18	COMB14
		Max Value	0.00	126.34	0.00	32.404	0.000	94.010
		Max Case	COMB21	COMB13	COMB1	COMB5	COMB13	COMB2
LT 6	B34	Min Value	0.00	-103.77	0.00	-0.017	0.000	-146.525
		Min Case	COMB21	COMB2	COMB14	COMB4	EY	COMB2
		Max Value	0.00	80.66	0.00	0.017	0.000	62.195
		Max Case	COMB21	COMB2	EY	COMB9	COMB14	COMB2
LT 6	B35	Min Value	0.00	-123.67	0.00	-32.404	0.000	-209.364
		Min Case	COMB21	COMB12	COMB1	COMB3	COMB18	COMB12
		Max Value	0.00	126.34	0.00	15.610	0.000	94.010
		Max Case	COMB21	COMB11	COMB1	COMB3	COMB13	COMB2

LT 6	B36	Min Value	0.00	-121.28	0.00	-0.315	0.000	-180.374
		Min Case	COMB21	COMB2	COMB18	COMB1	COMB3	COMB2
		Max Value	0.00	119.40	0.00	0.000	0.000	89.938
		Max Case	COMB21	COMB2	COMB13	RAIN	COMB10	COMB2
LT 6	B37	Min Value	0.00	-167.12	0.00	-0.001	0.000	-242.814
		Min Case	COMB21	COMB12	COMB18	COMB10	COMB18	COMB12
		Max Value	0.00	165.20	0.00	0.381	0.000	125.312
		Max Case	COMB21	COMB13	COMB13	COMB3	COMB13	COMB2
LT 6	B38	Min Value	0.00	-116.27	0.00	-0.251	0.000	-177.543
		Min Case	COMB21	COMB2	COMB18	COMB8	COMB3	COMB2
		Max Value	0.00	124.41	0.00	0.115	0.000	105.286
		Max Case	COMB21	COMB2	COMB13	LIVE	COMB10	COMB2
LT 6	B39	Min Value	0.00	-124.82	0.00	-0.443	0.000	-193.899
		Min Case	COMB21	COMB12	COMB18	COMB6	COMB18	COMB12
		Max Value	0.00	123.62	0.00	0.196	0.000	84.966
		Max Case	COMB21	COMB13	COMB13	EX	COMB13	COMB12
LT 6	B40	Min Value	0.00	-260.77	0.00	-10.138	0.000	-391.199
		Min Case	COMB21	COMB2	COMB12	COMB14	COMB13	COMB6
		Max Value	0.00	247.10	0.00	10.093	0.000	334.603
		Max Case	COMB21	COMB2	COMB17	COMB14	COMB16	COMB2
LT 6	B41	Min Value	0.00	-211.65	0.00	-12.205	0.000	-346.604
		Min Case	COMB21	COMB2	COMB16	COMB14	COMB13	COMB4
		Max Value	0.00	216.98	0.00	10.751	0.000	287.573
		Max Case	COMB21	COMB2	COMB13	COMB14	COMB16	COMB2
LT 6	B42	Min Value	0.00	-242.21	0.00	-14.430	0.000	-359.695
		Min Case	COMB21	COMB2	COMB17	COMB14	EY	COMB6
		Max Value	0.00	242.21	0.00	14.430	0.000	299.296
		Max Case	COMB21	COMB2	COMB12	COMB12	COMB14	COMB2
LT 6	B43	Min Value	0.00	-216.98	0.00	-10.751	0.000	-346.604
		Min Case	COMB21	COMB2	COMB14	COMB12	COMB11	COMB6
		Max Value	0.00	211.65	0.00	12.205	0.000	287.573
		Max Case	COMB21	COMB2	EY	COMB12	COMB18	COMB2
LT 6	B44	Min Value	0.00	-247.10	0.00	-10.093	0.000	-391.199
		Min Case	COMB21	COMB2	COMB14	COMB12	COMB14	COMB4
		Max Value	0.00	260.77	0.00	10.138	0.000	334.603
		Max Case	COMB21	COMB2	EY	COMB12	EY	COMB2
LT 6	B45	Min Value	0.00	-119.89	0.00	-2.282	0.000	-212.824
		Min Case	COMB21	COMB14	COMB9	COMB2	COMB10	COMB11
		Max Value	0.00	130.41	0.00	0.099	0.000	90.850
		Max Case	COMB21	COMB11	COMB4	EX	COMB7	COMB11
LT 6	B46	Min Value	0.00	-134.70	0.00	-1.146	0.000	-178.479
		Min Case	COMB21	COMB2	EY	COMB2	COMB18	COMB2
		Max Value	0.00	105.98	0.00	0.009	0.000	145.487
		Max Case	COMB21	COMB2	COMB14	EY	COMB13	COMB2
LT 6	B47	Min Value	0.00	-159.22	0.00	-0.025	0.000	-266.998
		Min Case	COMB21	COMB14	COMB9	LIVE	COMB10	COMB11
		Max Value	0.00	174.68	0.00	0.640	0.000	130.791
		Max Case	COMB21	COMB11	COMB4	COMB1	COMB7	COMB2
LT 6	B48	Min Value	0.00	-134.99	0.00	-0.028	0.000	-177.346
		Min Case	COMB21	COMB2	EY	EX	COMB18	COMB2
		Max Value	0.00	105.69	0.00	0.550	0.000	147.780
		Max Case	COMB21	COMB2	COMB14	COMB1	COMB13	COMB2
LT 6	B49	Min Value	0.00	-159.87	0.00	-0.497	0.000	-262.195
		Min Case	COMB21	COMB14	COMB9	COMB6	COMB10	COMB11
		Max Value	0.00	173.82	0.00	0.105	0.000	132.695
		Max Case	COMB21	COMB11	COMB4	EX	COMB7	COMB2
LT 6	B50	Min Value	0.00	-131.88	0.00	-0.044	0.000	-158.059
		Min Case	COMB21	COMB2	EY	COMB8	COMB18	COMB2
		Max Value	0.00	108.80	0.00	0.044	0.000	154.649
		Max Case	COMB21	COMB2	COMB14	COMB5	COMB13	COMB2
LT 6	B51	Min Value	0.00	-159.87	0.00	-0.027	0.000	-262.195
		Min Case	COMB21	COMB12	COMB9	LIVE	COMB10	COMB13
		Max Value	0.00	173.82	0.00	0.497	0.000	132.695
		Max Case	COMB21	COMB13	COMB4	COMB4	COMB7	COMB2
LT 6	B52	Min Value	0.00	-134.99	0.00	-0.550	0.000	-177.346
		Min Case	COMB21	COMB2	EY	COMB1	COMB18	COMB2
		Max Value	0.00	105.69	0.00	0.002	0.000	147.780
		Max Case	COMB21	COMB2	COMB14	EY	COMB13	COMB2
LT 6	B53	Min Value	0.00	-159.22	0.00	-0.640	0.000	-266.998
		Min Case	COMB21	COMB12	COMB9	COMB1	COMB10	COMB13
		Max Value	0.00	174.68	0.00	0.074	0.000	130.791
		Max Case	COMB21	COMB13	COMB4	EX	COMB7	COMB2
LT 6	B54	Min Value	0.00	-134.70	0.00	-0.030	0.000	-178.479
		Min Case	COMB21	COMB2	EY	EX	COMB18	COMB2
		Max Value	0.00	105.98	0.00	1.146	0.000	145.487

		Max Case	COMB21	COMB2	COMB14	COMB2	COMB13	COMB2
LT 6	B55	Min Value	0.00	-119.89	0.00	-0.051	0.000	-212.824
		Min Case	COMB21	COMB12	COMB9	EY	COMB10	COMB13
		Max Value	0.00	130.41	0.00	2.282	0.000	90.850
		Max Case	COMB21	COMB13	COMB4	COMB2	COMB7	COMB13
LT 6	B56	Min Value	0.00	-161.00	0.00	-38.070	0.000	-258.340
		Min Case	COMB21	COMB5	COMB12	COMB11	COMB13	COMB5
		Max Value	0.00	154.22	0.00	40.659	0.000	164.871
		Max Case	COMB21	COMB3	COMB17	COMB11	COMB16	COMB2
LT 6	B57	Min Value	0.00	-156.03	0.00	-37.603	0.000	-246.749
		Min Case	COMB21	COMB5	COMB16	COMB11	COMB13	COMB3
		Max Value	0.00	156.70	0.00	37.579	0.000	157.641
		Max Case	COMB21	COMB3	COMB13	COMB11	COMB16	COMB2
LT 6	B58	Min Value	0.00	-157.75	0.00	-39.493	0.000	-247.922
		Min Case	COMB21	COMB5	COMB17	COMB13	EY	COMB3
		Max Value	0.00	157.75	0.00	39.493	0.000	159.833
		Max Case	COMB21	COMB3	COMB12	COMB11	COMB14	COMB2
LT 6	B59	Min Value	0.00	-156.70	0.00	-37.579	0.000	-246.749
		Min Case	COMB21	COMB5	COMB14	COMB13	COMB11	COMB5
		Max Value	0.00	156.03	0.00	37.603	0.000	157.641
		Max Case	COMB21	COMB3	EY	COMB13	COMB18	COMB2
LT 6	B60	Min Value	0.00	-154.22	0.00	-40.659	0.000	-258.340
		Min Case	COMB21	COMB5	COMB14	COMB13	COMB14	COMB3
		Max Value	0.00	161.00	0.00	38.070	0.000	164.871
		Max Case	COMB21	COMB3	EY	COMB13	EY	COMB2
LT 5	B1	Min Value	-0.11	-121.69	-0.17	-31.751	-0.257	-221.735
		Min Case	EY	COMB6	COMB13	COMB12	COMB13	COMB6
		Max Value	18.77	134.85	0.02	30.185	0.334	114.539
		Max Case	COMB4	COMB4	EX	COMB12	COMB13	COMB2
LT 5	B2	Min Value	0.00	-158.37	0.00	-39.077	0.000	-253.113
		Min Case	COMB21	COMB6	COMB4	COMB14	COMB4	COMB4
		Max Value	0.00	158.51	0.00	39.097	0.000	158.008
		Max Case	COMB21	COMB4	COMB10	COMB14	COMB4	COMB2
LT 5	B3	Min Value	0.00	-157.77	0.00	-37.548	0.000	-252.719
		Min Case	COMB21	COMB6	COMB10	COMB14	COMB10	COMB6
		Max Value	0.00	157.77	0.00	37.548	0.000	154.675
		Max Case	COMB21	COMB4	COMB4	COMB12	COMB4	COMB2
LT 5	B4	Min Value	0.00	-158.51	0.00	-39.097	0.000	-253.113
		Min Case	COMB21	COMB6	COMB6	COMB12	COMB10	COMB6
		Max Value	0.00	158.37	0.00	39.077	0.000	158.008
		Max Case	COMB21	COMB4	COMB8	COMB12	COMB4	COMB2
LT 5	B5	Min Value	-6.11	-134.85	0.00	-30.185	-0.257	-221.735
		Min Case	EX	COMB6	COMB21	COMB14	COMB11	COMB4
		Max Value	18.77	121.69	0.17	31.751	0.334	114.539
		Max Case	COMB6	COMB4	COMB11	COMB14	COMB11	COMB2
LT 5	B6	Min Value	0.00	-104.41	0.00	-37.946	-0.203	-203.878
		Min Case	COMB21	COMB14	COMB10	COMB5	COMB3	COMB14
		Max Value	16.96	120.16	0.09	21.436	0.211	101.970
		Max Case	COMB11	COMB13	COMB3	COMB5	COMB3	COMB14
LT 5	B7	Min Value	0.00	-63.21	0.00	-17.934	0.000	-132.972
		Min Case	COMB21	COMB2	COMB8	COMB3	COMB8	COMB2
		Max Value	0.00	98.06	0.00	9.672	0.000	80.686
		Max Case	COMB21	COMB2	COMB10	COMB3	COMB10	COMB2
LT 5	B8	Min Value	0.00	-140.92	0.00	-0.629	0.000	-244.968
		Min Case	COMB21	COMB14	EY	COMB6	COMB2	COMB14
		Max Value	0.00	125.69	0.00	0.078	0.000	101.443
		Max Case	COMB21	COMB11	COMB1	EX	COMB1	COMB14
LT 5	B9	Min Value	0.00	-104.70	0.00	-0.884	0.000	-185.556
		Min Case	COMB21	COMB2	LIVE	COMB2	COMB1	COMB2
		Max Value	0.00	135.98	0.00	0.000	0.000	143.553
		Max Case	COMB21	COMB2	COMB1	RAIN	COMB1	COMB2
LT 5	B10	Min Value	0.00	-137.80	0.00	-0.093	0.000	-233.035
		Min Case	COMB21	COMB14	EY	COMB5	COMB2	COMB14
		Max Value	0.00	128.58	0.00	0.054	0.000	101.190
		Max Case	COMB21	COMB11	COMB1	COMB8	COMB1	COMB2
LT 5	B11	Min Value	0.00	-103.47	0.00	-0.035	0.000	-191.680
		Min Case	COMB21	COMB2	LIVE	COMB4	COMB1	COMB2
		Max Value	0.00	137.21	0.00	0.035	0.000	142.352
		Max Case	COMB21	COMB2	COMB1	COMB9	COMB1	COMB2
LT 5	B12	Min Value	0.00	-137.80	0.00	-0.054	0.000	-233.035
		Min Case	COMB21	COMB12	EY	COMB10	COMB2	COMB12
		Max Value	0.00	128.58	0.00	0.093	0.000	101.190
		Max Case	COMB21	COMB13	COMB1	COMB3	COMB1	COMB2
LT 5	B13	Min Value	0.00	-104.70	0.00	-0.043	0.000	-185.556
		Min Case	COMB21	COMB2	LIVE	EX	COMB1	COMB2

		Max Value	0.00	135.98	0.00	0.884	0.000	143.553
		Max Case	COMB21	COMB2	COMB1	COMB2	COMB1	COMB2
LT 5	B14	Min Value	0.00	-140.92	0.00	-0.007	0.000	-244.968
		Min Case	COMB21	COMB12	EY	EY	COMB2	COMB12
		Max Value	0.00	125.69	0.00	0.629	0.000	101.443
		Max Case	COMB21	COMB13	COMB1	COMB4	COMB1	COMB12
LT 5	B15	Min Value	0.00	-63.21	0.00	-9.672	0.000	-132.972
		Min Case	COMB21	COMB2	COMB8	COMB5	COMB8	COMB2
		Max Value	0.00	98.06	0.00	17.934	0.000	80.686
		Max Case	COMB21	COMB2	COMB10	COMB5	COMB10	COMB2
LT 5	B16	Min Value	-0.17	-104.41	-0.09	-21.436	-0.211	-203.878
		Min Case	EX	COMB12	COMB5	COMB3	COMB8	COMB12
		Max Value	16.96	120.16	0.03	37.946	0.203	101.970
		Max Case	COMB13	COMB11	EX	COMB3	COMB5	COMB12
LT 5	B17	Min Value	0.00	-42.25	0.00	-2.998	0.000	-59.381
		Min Case	COMB21	COMB2	COMB10	COMB13	EX	COMB5
		Max Value	0.00	10.52	0.00	1.451	0.000	33.327
		Max Case	COMB21	COMB4	COMB8	COMB16	COMB6	COMB3
LT 5	B18	Min Value	0.00	-10.52	0.00	-1.451	0.000	-59.381
		Min Case	COMB21	COMB6	COMB10	COMB18	COMB10	COMB3
		Max Value	0.00	42.25	0.00	2.998	0.000	33.327
		Max Case	COMB21	COMB2	COMB4	COMB11	COMB8	COMB5
LT 5	B19	Min Value	0.00	-234.47	0.00	-18.042	0.000	-365.333
		Min Case	COMB21	COMB6	COMB10	COMB14	EX	COMB6
		Max Value	0.00	234.91	0.00	17.119	0.000	293.151
		Max Case	COMB21	COMB3	COMB8	COMB14	COMB6	COMB2
LT 5	B20	Min Value	0.00	-212.32	0.00	-12.608	0.000	-360.096
		Min Case	COMB21	COMB5	COMB4	COMB11	COMB4	COMB3
		Max Value	0.00	219.27	0.00	13.630	0.000	292.919
		Max Case	COMB21	COMB2	COMB10	COMB11	COMB4	COMB2
LT 5	B21	Min Value	0.00	-198.94	0.00	-37.131	0.000	-332.613
		Min Case	COMB21	COMB5	COMB16	COMB13	COMB11	COMB3
		Max Value	0.00	198.94	0.00	37.131	0.000	265.790
		Max Case	COMB21	COMB3	COMB11	COMB11	COMB12	COMB2
LT 5	B22	Min Value	0.00	-219.27	0.00	-13.630	0.000	-360.096
		Min Case	COMB21	COMB2	COMB6	COMB13	COMB10	COMB5
		Max Value	0.00	212.32	0.00	12.608	0.000	292.919
		Max Case	COMB21	COMB3	COMB8	COMB13	COMB4	COMB2
LT 5	B23	Min Value	0.00	-234.91	0.00	-17.119	0.000	-365.333
		Min Case	COMB21	COMB5	COMB10	COMB12	COMB8	COMB4
		Max Value	0.00	234.47	0.00	18.042	0.000	293.151
		Max Case	COMB21	COMB4	COMB8	COMB12	COMB4	COMB2
LT 5	B24	Min Value	0.00	-28.44	0.00	-2.514	0.000	-44.689
		Min Case	COMB21	COMB2	COMB10	COMB10	COMB10	COMB4
		Max Value	0.00	0.25	0.00	5.281	0.000	5.743
		Max Case	COMB21	EY	COMB8	COMB3	COMB8	COMB11
LT 5	B25	Min Value	0.00	-28.44	0.00	-5.281	0.000	-44.689
		Min Case	COMB21	COMB2	COMB10	COMB5	COMB10	COMB6
		Max Value	0.00	2.81	0.00	3.543	0.000	5.743
		Max Case	COMB21	EX	COMB8	EX	COMB8	COMB13
LT 5	B26	Min Value	0.00	-32.35	0.00	-5.743	0.000	-49.391
		Min Case	COMB21	COMB2	COMB10	COMB11	COMB4	COMB5
		Max Value	0.00	5.14	0.00	1.800	0.000	10.574
		Max Case	COMB21	COMB4	COMB8	COMB18	COMB10	EX
LT 5	B27	Min Value	0.00	-5.14	0.00	-1.800	0.000	-49.391
		Min Case	COMB21	COMB6	COMB21	COMB16	COMB17	COMB3
		Max Value	0.00	32.35	0.00	5.743	0.000	5.900
		Max Case	COMB21	COMB2	COMB21	COMB13	COMB18	COMB6
LT 5	B28	Min Value	0.00	-128.56	0.00	-0.121	0.000	-207.533
		Min Case	COMB21	COMB14	EY	COMB9	COMB14	COMB14
		Max Value	0.00	127.33	0.00	0.374	0.000	94.970
		Max Case	COMB21	COMB11	COMB1	COMB4	COMB13	EY
LT 5	B29	Min Value	0.00	-116.20	0.00	-0.144	0.000	-179.303
		Min Case	COMB21	COMB2	COMB18	COMB3	COMB13	COMB2
		Max Value	0.00	124.48	0.00	0.232	0.000	103.788
		Max Case	COMB21	COMB2	COMB13	COMB10	COMB18	COMB2
LT 5	B30	Min Value	0.00	-170.88	0.00	-0.337	0.000	-256.940
		Min Case	COMB21	COMB14	EY	COMB5	COMB14	COMB14
		Max Value	0.00	168.88	0.00	0.119	0.000	124.047
		Max Case	COMB21	COMB11	COMB1	EX	COMB13	COMB2
LT 5	B31	Min Value	0.00	-121.20	0.00	-0.015	0.000	-181.299
		Min Case	COMB21	COMB2	COMB18	EX	COMB13	COMB2
		Max Value	0.00	119.48	0.00	0.282	0.000	88.701
		Max Case	COMB21	COMB2	COMB13	COMB1	COMB18	COMB2
LT 5	B32	Min Value	0.00	-127.39	0.00	-16.199	0.000	-222.030

		Min Case	COMB21	COMB14	EX	COMB5	COMB10	COMB14
		Max Value	0.00	130.21	0.00	33.192	0.000	95.053
		Max Case	COMB21	COMB13	COMB10	COMB5	COMB8	COMB13
LT 5	B34	Min Value	0.00	-104.03	0.00	-0.013	0.000	-148.486
		Min Case	COMB21	COMB2	COMB9	COMB4	COMB10	COMB2
		Max Value	0.00	80.40	0.00	0.013	0.000	61.129
		Max Case	COMB21	COMB2	COMB8	COMB9	COMB8	COMB2
LT 5	B35	Min Value	0.00	-127.39	0.00	-33.192	0.000	-222.030
		Min Case	COMB21	COMB12	EX	COMB3	COMB10	COMB12
		Max Value	0.00	130.21	0.00	16.199	0.000	95.053
		Max Case	COMB21	COMB11	COMB10	COMB3	COMB8	COMB11
LT 5	B36	Min Value	0.00	-121.20	0.00	-0.282	0.000	-181.299
		Min Case	COMB21	COMB2	COMB18	COMB1	COMB13	COMB2
		Max Value	0.00	119.48	0.00	0.000	0.000	88.701
		Max Case	COMB21	COMB2	COMB13	RAIN	COMB18	COMB2
LT 5	B37	Min Value	0.00	-170.88	0.00	-0.032	0.000	-256.940
		Min Case	COMB21	COMB12	EY	COMB10	COMB14	COMB12
		Max Value	0.00	168.88	0.00	0.337	0.000	124.047
		Max Case	COMB21	COMB13	COMB1	COMB3	COMB13	COMB2
LT 5	B38	Min Value	0.00	-116.20	0.00	-0.232	0.000	-179.303
		Min Case	COMB21	COMB2	COMB18	COMB8	COMB13	COMB2
		Max Value	0.00	124.48	0.00	0.144	0.000	103.788
		Max Case	COMB21	COMB2	COMB13	COMB5	COMB18	COMB2
LT 5	B39	Min Value	0.00	-128.56	0.00	-0.374	0.000	-207.533
		Min Case	COMB21	COMB12	EY	COMB6	COMB14	COMB12
		Max Value	0.00	127.33	0.00	0.197	0.000	94.970
		Max Case	COMB21	COMB13	COMB1	EX	COMB13	EY
LT 5	B40	Min Value	0.00	-261.24	0.00	-11.958	0.000	-407.365
		Min Case	COMB21	COMB6	COMB10	COMB14	EX	COMB6
		Max Value	0.00	248.72	0.00	11.854	0.000	331.014
		Max Case	COMB21	COMB4	COMB8	COMB14	COMB6	COMB2
LT 5	B41	Min Value	0.00	-212.69	0.00	-13.848	0.000	-357.705
		Min Case	COMB21	COMB6	COMB4	COMB14	COMB4	COMB4
		Max Value	0.00	216.97	0.00	12.732	0.000	288.149
		Max Case	COMB21	COMB4	COMB10	COMB14	COMB4	COMB2
LT 5	B42	Min Value	0.00	-244.12	0.00	-16.273	0.000	-373.190
		Min Case	COMB21	COMB6	COMB10	COMB14	COMB10	COMB6
		Max Value	0.00	244.12	0.00	16.273	0.000	299.330
		Max Case	COMB21	COMB4	COMB4	COMB12	COMB4	COMB2
LT 5	B43	Min Value	0.00	-216.97	0.00	-12.732	0.000	-357.705
		Min Case	COMB21	COMB6	COMB6	COMB12	COMB10	COMB6
		Max Value	0.00	212.69	0.00	13.848	0.000	288.149
		Max Case	COMB21	COMB4	COMB8	COMB12	COMB4	COMB2
LT 5	B44	Min Value	0.00	-248.72	0.00	-11.854	0.000	-407.365
		Min Case	COMB21	COMB6	COMB10	COMB12	COMB8	COMB4
		Max Value	0.00	261.24	0.00	11.958	0.000	331.014
		Max Case	COMB21	COMB4	COMB8	COMB12	COMB4	COMB2
LT 5	B45	Min Value	0.00	-123.54	0.00	-1.704	0.000	-226.083
		Min Case	COMB21	COMB14	COMB1	COMB2	LIVE	COMB11
		Max Value	0.00	133.93	0.00	0.110	0.000	95.195
		Max Case	COMB21	COMB11	LIVE	EX	COMB1	EY
LT 5	B46	Min Value	0.00	-134.97	0.00	-1.004	0.000	-180.786
		Min Case	COMB21	COMB2	COMB1	COMB2	COMB1	COMB2
		Max Value	0.00	105.71	0.00	0.009	0.000	144.271
		Max Case	COMB21	COMB2	EY	EY	COMB2	COMB2
LT 5	B47	Min Value	0.00	-162.96	0.00	-0.016	0.000	-280.881
		Min Case	COMB21	COMB14	COMB1	LIVE	LIVE	COMB11
		Max Value	0.00	178.16	0.00	0.491	0.000	128.286
		Max Case	COMB21	COMB11	LIVE	COMB3	COMB1	COMB2
LT 5	B48	Min Value	0.00	-135.16	0.00	-0.033	0.000	-179.471
		Min Case	COMB21	COMB2	COMB1	EX	COMB1	COMB2
		Max Value	0.00	105.52	0.00	0.478	0.000	146.341
		Max Case	COMB21	COMB2	EY	COMB1	COMB2	COMB2
LT 5	B49	Min Value	0.00	-163.66	0.00	-0.429	0.000	-276.210
		Min Case	COMB21	COMB14	COMB1	COMB6	LIVE	COMB11
		Max Value	0.00	177.21	0.00	0.117	0.000	129.725
		Max Case	COMB21	COMB11	LIVE	EX	COMB1	COMB2
LT 5	B50	Min Value	0.00	-132.14	0.00	-0.047	0.000	-160.716
		Min Case	COMB21	COMB2	COMB1	COMB4	COMB1	COMB2
		Max Value	0.00	108.54	0.00	0.047	0.000	153.017
		Max Case	COMB21	COMB2	EY	COMB9	COMB2	COMB2
LT 5	B51	Min Value	0.00	-163.66	0.00	-0.019	0.000	-276.210
		Min Case	COMB21	COMB12	COMB1	LIVE	LIVE	COMB13
		Max Value	0.00	177.21	0.00	0.429	0.000	129.725
		Max Case	COMB21	COMB13	LIVE	COMB4	COMB1	COMB2

LT 5	B52	Min Value	0.00	-135.16	0.00	-0.478	0.000	-179.471
		Min Case	COMB21	COMB2	COMB1	COMB1	COMB1	COMB2
		Max Value	0.00	105.52	0.00	0.002	0.000	146.341
		Max Case	COMB21	COMB2	EY	EY	COMB2	COMB2
LT 5	B53	Min Value	0.00	-162.96	0.00	-0.491	0.000	-280.881
		Min Case	COMB21	COMB12	COMB1	COMB5	LIVE	COMB13
		Max Value	0.00	178.16	0.00	0.089	0.000	128.286
		Max Case	COMB21	COMB13	LIVE	EX	COMB1	COMB2
LT 5	B54	Min Value	0.00	-134.97	0.00	-0.034	0.000	-180.786
		Min Case	COMB21	COMB2	COMB1	EX	COMB1	COMB2
		Max Value	0.00	105.71	0.00	1.004	0.000	144.271
		Max Case	COMB21	COMB2	EY	COMB2	COMB2	COMB2
LT 5	B55	Min Value	0.00	-123.54	0.00	-0.045	0.000	-226.083
		Min Case	COMB21	COMB12	COMB1	EY	LIVE	COMB13
		Max Value	0.00	133.93	0.00	1.704	0.000	95.195
		Max Case	COMB21	COMB13	LIVE	COMB2	COMB1	EY
LT 5	B56	Min Value	0.00	-164.72	0.00	-39.635	0.000	-272.583
		Min Case	COMB21	COMB5	COMB10	COMB11	EX	COMB5
		Max Value	0.00	157.54	0.00	41.604	0.000	162.650
		Max Case	COMB21	COMB3	COMB8	COMB11	COMB6	COMB2
LT 5	B57	Min Value	0.00	-159.86	0.00	-39.106	0.000	-259.256
		Min Case	COMB21	COMB5	COMB4	COMB11	COMB4	COMB3
		Max Value	0.00	160.30	0.00	39.113	0.000	157.267
		Max Case	COMB21	COMB3	COMB10	COMB11	COMB4	COMB2
LT 5	B58	Min Value	0.00	-161.42	0.00	-40.956	0.000	-260.665
		Min Case	COMB21	COMB5	COMB10	COMB13	COMB10	COMB3
		Max Value	0.00	161.42	0.00	40.956	0.000	159.567
		Max Case	COMB21	COMB3	COMB4	COMB11	COMB4	COMB2
LT 5	B59	Min Value	0.00	-160.30	0.00	-39.113	0.000	-259.256
		Min Case	COMB21	COMB5	COMB6	COMB13	COMB10	COMB5
		Max Value	0.00	159.86	0.00	39.106	0.000	157.267
		Max Case	COMB21	COMB3	COMB8	COMB13	COMB4	COMB2
LT 5	B60	Min Value	0.00	-157.54	0.00	-41.604	0.000	-272.583
		Min Case	COMB21	COMB5	COMB10	COMB13	COMB8	COMB3
		Max Value	0.00	164.72	0.00	39.635	0.000	162.650
		Max Case	COMB21	COMB3	COMB8	COMB13	COMB4	COMB2
LT 4	B1	Min Value	-13.01	-123.18	0.00	-32.109	-0.228	-224.024
		Min Case	COMB4	COMB6	COMB21	COMB12	COMB11	COMB6
		Max Value	0.30	137.36	0.14	30.982	0.235	113.277
		Max Case	EY	COMB4	COMB3	COMB12	COMB3	COMB2
LT 4	B2	Min Value	0.00	-160.59	0.00	-39.977	0.000	-255.576
		Min Case	COMB21	COMB6	COMB14	COMB14	COMB17	COMB4
		Max Value	0.00	160.47	0.00	39.941	0.000	157.159
		Max Case	COMB21	COMB4	COMB17	COMB14	COMB14	COMB2
LT 4	B3	Min Value	0.00	-159.91	0.00	-38.528	0.000	-255.393
		Min Case	COMB21	COMB6	COMB17	COMB14	COMB16	COMB6
		Max Value	0.00	159.91	0.00	38.528	0.000	154.539
		Max Case	COMB21	COMB4	COMB18	COMB12	COMB17	COMB2
LT 4	B4	Min Value	0.00	-160.47	0.00	-39.941	0.000	-255.576
		Min Case	COMB21	COMB6	COMB8	COMB12	COMB14	COMB6
		Max Value	0.00	160.59	0.00	39.977	0.000	157.159
		Max Case	COMB21	COMB4	COMB10	COMB12	COMB17	COMB2
LT 4	B5	Min Value	-13.01	-137.36	-0.14	-30.982	-0.228	-224.024
		Min Case	COMB6	COMB6	COMB5	COMB14	COMB13	COMB4
		Max Value	2.91	123.18	0.04	32.109	0.235	113.277
		Max Case	EX	COMB4	EX	COMB14	COMB5	COMB2
LT 4	B6	Min Value	-9.90	-105.69	-0.05	-39.950	-0.136	-206.014
		Min Case	COMB13	COMB14	COMB6	COMB5	COMB6	COMB14
		Max Value	0.31	123.51	0.01	21.730	0.109	108.620
		Max Case	EX	COMB13	EX	COMB5	COMB6	EY
LT 4	B7	Min Value	0.00	-62.76	0.00	-18.375	0.000	-135.412
		Min Case	COMB21	COMB2	COMB17	COMB3	COMB4	COMB2
		Max Value	0.00	98.55	0.00	9.739	0.000	80.018
		Max Case	COMB21	COMB2	COMB18	COMB3	COMB9	COMB2
LT 4	B8	Min Value	0.00	-142.49	0.00	-0.497	0.000	-245.663
		Min Case	COMB21	COMB14	COMB3	COMB6	COMB3	COMB14
		Max Value	0.00	129.30	0.00	0.093	0.000	107.678
		Max Case	COMB21	COMB11	COMB10	EX	COMB10	EY
LT 4	B9	Min Value	0.00	-104.43	0.00	-0.718	0.000	-187.343
		Min Case	COMB21	COMB2	COMB3	COMB2	COMB4	COMB2
		Max Value	0.00	136.25	0.00	0.000	0.000	142.834
		Max Case	COMB21	COMB2	COMB10	RAIN	COMB10	COMB2
LT 4	B10	Min Value	0.00	-139.83	0.00	-0.090	0.000	-235.743
		Min Case	COMB21	COMB14	COMB3	COMB5	COMB3	COMB14
		Max Value	0.00	131.69	0.00	0.078	0.000	107.674
		Max Case	COMB21	COMB11	COMB10	COMB8	COMB10	EY

LT 4	B11	Min Value	0.00	-103.31	0.00	-0.050	0.000	-192.933
		Min Case	COMB21	COMB2	COMB3	COMB8	COMB4	COMB2
		Max Value	0.00	137.37	0.00	0.050	0.000	141.727
		Max Case	COMB21	COMB2	COMB10	COMB5	COMB10	COMB2
LT 4	B12	Min Value	0.00	-139.83	0.00	-0.078	0.000	-235.743
		Min Case	COMB21	COMB12	COMB3	COMB10	COMB3	COMB12
		Max Value	0.00	131.69	0.00	0.090	0.000	107.674
		Max Case	COMB21	COMB13	COMB10	COMB3	COMB10	EY
LT 4	B13	Min Value	0.00	-104.43	0.00	-0.045	0.000	-187.343
		Min Case	COMB21	COMB2	COMB3	EX	COMB4	COMB2
		Max Value	0.00	136.25	0.00	0.718	0.000	142.834
		Max Case	COMB21	COMB2	COMB10	COMB2	COMB10	COMB2
LT 4	B14	Min Value	0.00	-142.49	0.00	-0.006	0.000	-245.663
		Min Case	COMB21	COMB12	COMB3	EY	COMB3	COMB12
		Max Value	0.00	129.30	0.00	0.497	0.000	107.678
		Max Case	COMB21	COMB13	COMB10	COMB4	COMB10	EY
LT 4	B15	Min Value	0.00	-62.76	0.00	-9.739	0.000	-135.412
		Min Case	COMB21	COMB2	COMB17	COMB5	COMB4	COMB2
		Max Value	0.00	98.55	0.00	18.375	0.000	80.018
		Max Case	COMB21	COMB2	COMB18	COMB5	COMB9	COMB2
LT 4	B16	Min Value	-9.90	-105.69	0.00	-21.730	-0.109	-206.014
		Min Case	COMB11	COMB12	EY	COMB3	COMB4	COMB12
		Max Value	0.00	123.51	0.05	39.950	0.136	108.620
		Max Case	COMB21	COMB11	COMB4	COMB3	COMB4	EY
LT 4	B17	Min Value	0.00	-42.20	0.00	-3.098	0.000	-61.679
		Min Case	COMB21	COMB2	COMB10	COMB13	COMB10	COMB5
		Max Value	0.00	10.97	0.00	1.725	0.000	34.149
		Max Case	COMB21	COMB4	COMB8	COMB16	COMB8	COMB3
LT 4	B18	Min Value	0.00	-10.97	0.00	-1.725	0.000	-61.679
		Min Case	COMB21	COMB6	COMB21	COMB18	COMB4	COMB3
		Max Value	0.00	42.20	0.00	3.098	0.000	34.149
		Max Case	COMB21	COMB2	COMB21	COMB11	COMB10	COMB5
LT 4	B19	Min Value	0.00	-236.00	0.00	-18.899	0.000	-364.244
		Min Case	COMB21	COMB6	COMB21	COMB14	COMB17	COMB6
		Max Value	0.00	237.81	0.00	18.190	0.000	290.867
		Max Case	COMB21	COMB3	COMB21	COMB14	COMB14	COMB2
LT 4	B20	Min Value	0.00	-215.63	0.00	-14.423	0.000	-357.994
		Min Case	COMB21	COMB5	COMB14	COMB11	COMB17	COMB3
		Max Value	0.00	220.97	0.00	15.193	0.000	292.740
		Max Case	COMB21	COMB3	COMB17	COMB11	COMB14	COMB2
LT 4	B21	Min Value	0.00	-201.70	0.00	-38.928	0.000	-333.343
		Min Case	COMB21	COMB5	COMB15	COMB13	COMB18	COMB3
		Max Value	0.00	201.70	0.00	38.928	0.000	265.845
		Max Case	COMB21	COMB3	COMB18	COMB11	COMB11	COMB2
LT 4	B22	Min Value	0.00	-220.97	0.00	-15.193	0.000	-357.994
		Min Case	COMB21	COMB5	COMB8	COMB13	COMB14	COMB5
		Max Value	0.00	215.63	0.00	14.423	0.000	292.740
		Max Case	COMB21	COMB3	COMB10	COMB13	COMB17	COMB2
LT 4	B23	Min Value	0.00	-237.81	0.00	-18.190	0.000	-364.244
		Min Case	COMB21	COMB5	COMB1	COMB12	COMB1	COMB4
		Max Value	0.00	236.00	0.00	18.899	0.000	290.867
		Max Case	COMB21	COMB4	COMB21	COMB12	COMB1	COMB2
LT 4	B24	Min Value	0.00	-28.61	0.00	-2.967	0.000	-45.659
		Min Case	COMB21	COMB4	COMB10	COMB10	COMB8	COMB4
		Max Value	0.00	0.28	0.00	5.667	0.000	6.111
		Max Case	COMB21	EY	COMB8	COMB3	COMB10	COMB11
LT 4	B25	Min Value	0.00	-28.61	0.00	-5.667	0.000	-45.659
		Min Case	COMB21	COMB6	COMB10	COMB5	COMB8	COMB6
		Max Value	0.00	3.15	0.00	3.969	0.000	6.413
		Max Case	COMB21	EX	COMB8	EX	COMB10	EX
LT 4	B26	Min Value	0.00	-32.28	0.00	-6.111	0.000	-50.569
		Min Case	COMB21	COMB2	COMB15	COMB11	COMB18	COMB5
		Max Value	0.00	5.54	0.00	2.194	0.000	11.842
		Max Case	COMB21	COMB4	COMB18	COMB18	COMB15	EX
LT 4	B27	Min Value	0.00	-5.54	0.00	-2.194	0.000	-50.569
		Min Case	COMB21	COMB6	COMB17	COMB16	COMB18	COMB3
		Max Value	0.00	32.28	0.00	6.111	0.000	6.482
		Max Case	COMB21	COMB2	COMB18	COMB13	COMB17	COMB6
LT 4	B28	Min Value	0.00	-130.83	0.00	-0.141	0.000	-212.736
		Min Case	COMB21	COMB14	COMB14	COMB9	COMB17	COMB14
		Max Value	0.00	129.64	0.00	0.317	0.000	104.532
		Max Case	COMB21	COMB11	COMB17	COMB4	COMB14	EY
LT 4	B29	Min Value	0.00	-116.13	0.00	-0.191	0.000	-181.393
		Min Case	COMB21	COMB2	COMB18	COMB3	COMB18	COMB2
		Max Value	0.00	124.55	0.00	0.198	0.000	101.997

		Max Case	COMB21	COMB2	COMB13	COMB10	COMB13	COMB2
LT 4	B30	Min Value	0.00	-173.00	0.00	-0.298	0.000	-260.313
		Min Case	COMB21	COMB14	COMB14	COMB5	COMB17	COMB14
		Max Value	0.00	171.12	0.00	0.128	0.000	122.997
		Max Case	COMB21	COMB11	COMB17	EX	COMB14	COMB2
LT 4	B31	Min Value	0.00	-121.06	0.00	-0.021	0.000	-182.333
		Min Case	COMB21	COMB2	COMB18	EX	COMB18	COMB2
		Max Value	0.00	119.62	0.00	0.240	0.000	87.101
		Max Case	COMB21	COMB2	COMB13	COMB5	COMB13	COMB2
LT 4	B32	Min Value	0.00	-130.04	0.00	-16.700	0.000	-226.037
		Min Case	COMB21	COMB14	COMB10	COMB5	COMB8	COMB14
		Max Value	0.00	133.26	0.00	33.869	0.000	103.058
		Max Case	COMB21	COMB13	COMB8	COMB5	COMB10	EY
LT 4	B34	Min Value	0.00	-104.35	0.00	-0.008	0.000	-151.017
		Min Case	COMB21	COMB2	COMB10	COMB4	COMB7	COMB2
		Max Value	0.00	80.07	0.00	0.008	0.000	59.741
		Max Case	COMB21	COMB2	COMB8	COMB9	COMB10	COMB2
LT 4	B35	Min Value	0.00	-130.04	0.00	-33.869	0.000	-226.037
		Min Case	COMB21	COMB12	COMB10	COMB3	COMB8	COMB12
		Max Value	0.00	133.26	0.00	16.700	0.000	103.058
		Max Case	COMB21	COMB11	COMB8	COMB3	COMB10	EY
LT 4	B36	Min Value	0.00	-121.06	0.00	-0.240	0.000	-182.333
		Min Case	COMB21	COMB2	COMB18	COMB3	COMB18	COMB2
		Max Value	0.00	119.62	0.00	0.000	0.000	87.101
		Max Case	COMB21	COMB2	COMB13	RAIN	COMB13	COMB2
LT 4	B37	Min Value	0.00	-173.00	0.00	-0.059	0.000	-260.313
		Min Case	COMB21	COMB12	COMB14	COMB10	COMB17	COMB12
		Max Value	0.00	171.12	0.00	0.298	0.000	122.997
		Max Case	COMB21	COMB13	COMB17	COMB3	COMB14	COMB2
LT 4	B38	Min Value	0.00	-116.13	0.00	-0.198	0.000	-181.393
		Min Case	COMB21	COMB2	COMB18	COMB8	COMB18	COMB2
		Max Value	0.00	124.55	0.00	0.191	0.000	101.997
		Max Case	COMB21	COMB2	COMB13	COMB5	COMB13	COMB2
LT 4	B39	Min Value	0.00	-130.83	0.00	-0.317	0.000	-212.736
		Min Case	COMB21	COMB12	COMB14	COMB6	COMB17	COMB12
		Max Value	0.00	129.64	0.00	0.191	0.000	104.532
		Max Case	COMB21	COMB13	COMB17	EX	COMB14	EY
LT 4	B40	Min Value	0.00	-262.68	0.00	-13.731	0.000	-404.732
		Min Case	COMB21	COMB6	COMB21	COMB14	COMB17	COMB6
		Max Value	0.00	251.70	0.00	13.590	0.000	328.428
		Max Case	COMB21	COMB4	COMB21	COMB14	COMB14	COMB2
LT 4	B41	Min Value	0.00	-216.10	0.00	-15.482	0.000	-356.317
		Min Case	COMB21	COMB6	COMB14	COMB14	COMB17	COMB4
		Max Value	0.00	219.43	0.00	14.645	0.000	288.948
		Max Case	COMB21	COMB4	COMB17	COMB14	COMB14	COMB2
LT 4	B42	Min Value	0.00	-246.65	0.00	-18.038	0.000	-373.019
		Min Case	COMB21	COMB6	COMB17	COMB14	COMB16	COMB6
		Max Value	0.00	246.65	0.00	18.038	0.000	299.705
		Max Case	COMB21	COMB4	COMB18	COMB12	COMB17	COMB2
LT 4	B43	Min Value	0.00	-219.43	0.00	-14.645	0.000	-356.317
		Min Case	COMB21	COMB6	COMB8	COMB12	COMB14	COMB6
		Max Value	0.00	216.10	0.00	15.482	0.000	288.948
		Max Case	COMB21	COMB4	COMB10	COMB12	COMB17	COMB2
LT 4	B44	Min Value	0.00	-251.70	0.00	-13.590	0.000	-404.732
		Min Case	COMB21	COMB6	COMB1	COMB12	COMB1	COMB4
		Max Value	0.00	262.68	0.00	13.731	0.000	328.428
		Max Case	COMB21	COMB4	COMB21	COMB12	COMB1	COMB2
LT 4	B45	Min Value	0.00	-126.46	0.00	-1.247	0.000	-227.965
		Min Case	COMB21	COMB14	COMB13	COMB2	COMB13	COMB11
		Max Value	0.00	135.29	0.00	0.120	0.000	104.666
		Max Case	COMB21	COMB11	COMB18	EX	COMB18	EY
LT 4	B46	Min Value	0.00	-135.44	0.00	-0.807	0.000	-183.750
		Min Case	COMB21	COMB2	COMB13	COMB2	COMB10	COMB2
		Max Value	0.00	105.24	0.00	0.007	0.000	143.193
		Max Case	COMB21	COMB2	COMB18	EY	COMB3	COMB2
LT 4	B47	Min Value	0.00	-166.15	0.00	-0.009	0.000	-280.130
		Min Case	COMB21	COMB14	COMB13	LIVE	COMB13	COMB11
		Max Value	0.00	179.07	0.00	0.405	0.000	126.328
		Max Case	COMB21	COMB11	COMB18	COMB3	COMB18	COMB2
LT 4	B48	Min Value	0.00	-135.59	0.00	-0.036	0.000	-182.505
		Min Case	COMB21	COMB2	COMB13	EX	COMB10	COMB2
		Max Value	0.00	105.09	0.00	0.393	0.000	145.038
		Max Case	COMB21	COMB2	COMB18	COMB6	COMB3	COMB2
LT 4	B49	Min Value	0.00	-166.76	0.00	-0.368	0.000	-276.073
		Min Case	COMB21	COMB14	COMB13	COMB6	COMB13	COMB11

		Max Value	0.00	178.18	0.00	0.126	0.000	127.384
		Max Case	COMB21	COMB11	COMB18	EX	COMB18	COMB2
LT 4	B50	Min Value	0.00	-132.63	0.00	-0.048	0.000	-164.182
		Min Case	COMB21	COMB2	COMB13	COMB4	COMB10	COMB2
		Max Value	0.00	108.05	0.00	0.048	0.000	151.537
		Max Case	COMB21	COMB2	COMB18	COMB9	COMB3	COMB2
LT 4	B51	Min Value	0.00	-166.76	0.00	-0.014	0.000	-276.073
		Min Case	COMB21	COMB12	COMB13	LIVE	COMB13	COMB13
		Max Value	0.00	178.18	0.00	0.368	0.000	127.384
		Max Case	COMB21	COMB13	COMB18	COMB4	COMB18	COMB2
LT 4	B52	Min Value	0.00	-135.59	0.00	-0.393	0.000	-182.505
		Min Case	COMB21	COMB2	COMB13	COMB4	COMB10	COMB2
		Max Value	0.00	105.09	0.00	0.002	0.000	145.038
		Max Case	COMB21	COMB2	COMB18	EY	COMB3	COMB2
LT 4	B53	Min Value	0.00	-166.15	0.00	-0.405	0.000	-280.130
		Min Case	COMB21	COMB12	COMB13	COMB5	COMB13	COMB13
		Max Value	0.00	179.07	0.00	0.103	0.000	126.328
		Max Case	COMB21	COMB13	COMB18	EX	COMB18	COMB2
LT 4	B54	Min Value	0.00	-135.44	0.00	-0.038	0.000	-183.750
		Min Case	COMB21	COMB2	COMB13	EX	COMB10	COMB2
		Max Value	0.00	105.24	0.00	0.807	0.000	143.193
		Max Case	COMB21	COMB2	COMB18	COMB2	COMB3	COMB2
LT 4	B55	Min Value	0.00	-126.46	0.00	-0.037	0.000	-227.965
		Min Case	COMB21	COMB12	COMB13	EY	COMB13	COMB13
		Max Value	0.00	135.29	0.00	1.247	0.000	104.666
		Max Case	COMB21	COMB13	COMB18	COMB2	COMB18	EY
LT 4	B56	Min Value	0.00	-166.28	0.00	-40.597	0.000	-274.005
		Min Case	COMB21	COMB5	COMB21	COMB11	COMB17	COMB5
		Max Value	0.00	159.96	0.00	42.058	0.000	160.657
		Max Case	COMB21	COMB3	COMB21	COMB11	COMB14	COMB2
LT 4	B57	Min Value	0.00	-162.13	0.00	-39.977	0.000	-261.941
		Min Case	COMB21	COMB5	COMB14	COMB11	COMB17	COMB3
		Max Value	0.00	162.38	0.00	40.012	0.000	156.652
		Max Case	COMB21	COMB3	COMB17	COMB11	COMB14	COMB2
LT 4	B58	Min Value	0.00	-163.57	0.00	-41.814	0.000	-263.509
		Min Case	COMB21	COMB5	COMB17	COMB13	COMB16	COMB3
		Max Value	0.00	163.57	0.00	41.814	0.000	159.073
		Max Case	COMB21	COMB3	COMB18	COMB11	COMB17	COMB2
LT 4	B59	Min Value	0.00	-162.38	0.00	-40.012	0.000	-261.941
		Min Case	COMB21	COMB5	COMB8	COMB13	COMB14	COMB5
		Max Value	0.00	162.13	0.00	39.977	0.000	156.652
		Max Case	COMB21	COMB3	COMB10	COMB13	COMB17	COMB2
LT 4	B60	Min Value	0.00	-159.96	0.00	-42.058	0.000	-274.005
		Min Case	COMB21	COMB5	COMB1	COMB13	COMB1	COMB3
		Max Value	0.00	166.28	0.00	40.597	0.000	160.657
		Max Case	COMB21	COMB3	COMB21	COMB13	COMB1	COMB2
LT 3	B1	Min Value	-0.21	-123.29	-0.15	-31.815	-0.208	-224.752
		Min Case	EY	COMB6	COMB13	COMB12	COMB13	COMB6
		Max Value	16.84	138.93	0.01	30.939	0.287	112.312
		Max Case	COMB4	COMB4	EX	COMB12	COMB13	COMB2
LT 3	B2	Min Value	0.00	-161.60	0.00	-40.007	0.000	-259.168
		Min Case	COMB21	COMB6	COMB21	COMB14	COMB2	COMB4
		Max Value	0.00	161.41	0.00	39.936	0.000	156.467
		Max Case	COMB21	COMB4	COMB2	COMB14	COMB21	COMB2
LT 3	B3	Min Value	0.00	-160.93	0.00	-38.658	0.000	-258.987
		Min Case	COMB21	COMB6	COMB6	COMB14	COMB8	COMB6
		Max Value	0.00	160.93	0.00	38.658	0.000	154.343
		Max Case	COMB21	COMB4	COMB8	COMB12	COMB6	COMB2
LT 3	B4	Min Value	0.00	-161.41	0.00	-39.936	0.000	-259.168
		Min Case	COMB21	COMB6	COMB16	COMB12	COMB17	COMB6
		Max Value	0.00	161.60	0.00	40.007	0.000	156.467
		Max Case	COMB21	COMB4	COMB17	COMB12	COMB12	COMB2
LT 3	B5	Min Value	-6.48	-138.93	0.00	-30.939	-0.208	-224.752
		Min Case	EX	COMB6	COMB17	COMB14	COMB11	COMB4
		Max Value	16.84	123.29	0.15	31.815	0.287	112.312
		Max Case	COMB6	COMB4	COMB11	COMB14	COMB11	COMB2
LT 3	B6	Min Value	-0.14	-105.54	-0.01	-40.504	-0.174	-205.541
		Min Case	COMB18	COMB14	COMB10	COMB5	COMB3	COMB14
		Max Value	14.77	125.66	0.07	21.599	0.172	111.526
		Max Case	COMB11	COMB13	COMB3	COMB5	COMB3	EY
LT 3	B7	Min Value	0.00	-62.35	0.00	-18.618	0.000	-137.619
		Min Case	COMB21	COMB2	COMB3	COMB3	COMB10	COMB2
		Max Value	0.00	99.05	0.00	9.709	0.000	79.604
		Max Case	COMB21	COMB2	COMB10	COMB3	COMB3	COMB2
LT 3	B8	Min Value	0.00	-142.24	0.00	-0.414	0.000	-244.968

		Min Case	COMB21	COMB14	COMB13	COMB6	COMB8	COMB14
		Max Value	0.00	131.66	0.00	0.098	0.000	110.847
		Max Case	COMB21	COMB11	COMB18	EX	COMB5	EY
LT 3	B9	Min Value	0.00	-104.12	0.00	-0.566	0.000	-189.033
		Min Case	COMB21	COMB2	COMB13	COMB3	COMB13	COMB2
		Max Value	0.00	136.56	0.00	0.000	0.000	142.383
		Max Case	COMB21	COMB2	COMB18	RAIN	COMB18	COMB2
LT 3	B10	Min Value	0.00	-140.09	0.00	-0.085	0.000	-236.947
		Min Case	COMB21	COMB14	COMB13	COMB5	COMB8	COMB14
		Max Value	0.00	133.53	0.00	0.092	0.000	110.843
		Max Case	COMB21	COMB11	COMB18	COMB8	COMB5	EY
LT 3	B11	Min Value	0.00	-103.10	0.00	-0.058	0.000	-194.140
		Min Case	COMB21	COMB2	COMB13	COMB8	COMB13	COMB2
		Max Value	0.00	137.58	0.00	0.058	0.000	141.354
		Max Case	COMB21	COMB2	COMB18	COMB5	COMB18	COMB2
LT 3	B12	Min Value	0.00	-140.09	0.00	-0.092	0.000	-236.947
		Min Case	COMB21	COMB12	COMB13	COMB10	COMB8	COMB12
		Max Value	0.00	133.53	0.00	0.085	0.000	110.843
		Max Case	COMB21	COMB13	COMB18	COMB3	COMB5	EY
LT 3	B13	Min Value	0.00	-104.12	0.00	-0.043	0.000	-189.033
		Min Case	COMB21	COMB2	COMB13	EX	COMB13	COMB2
		Max Value	0.00	136.56	0.00	0.566	0.000	142.383
		Max Case	COMB21	COMB2	COMB18	COMB5	COMB18	COMB2
LT 3	B14	Min Value	0.00	-142.24	0.00	-0.005	0.000	-244.968
		Min Case	COMB21	COMB12	COMB13	EY	COMB8	COMB12
		Max Value	0.00	131.66	0.00	0.414	0.000	110.847
		Max Case	COMB21	COMB13	COMB18	COMB4	COMB5	EY
LT 3	B15	Min Value	0.00	-62.35	0.00	-9.709	0.000	-137.619
		Min Case	COMB21	COMB2	COMB3	COMB5	COMB10	COMB2
		Max Value	0.00	99.05	0.00	18.618	0.000	79.604
		Max Case	COMB21	COMB2	COMB10	COMB5	COMB3	COMB2
LT 3	B16	Min Value	-0.14	-105.54	-0.07	-21.599	-0.172	-205.541
		Min Case	COMB16	COMB12	COMB5	COMB3	COMB5	COMB12
		Max Value	14.77	125.66	0.03	40.504	0.174	111.526
		Max Case	COMB13	COMB11	EX	COMB3	COMB5	EY
LT 3	B17	Min Value	0.00	-42.15	0.00	-3.116	0.000	-62.103
		Min Case	COMB21	COMB5	COMB10	COMB17	COMB6	COMB5
		Max Value	0.00	11.18	0.00	1.820	0.000	34.513
		Max Case	COMB21	COMB4	COMB8	COMB12	COMB8	COMB3
LT 3	B18	Min Value	0.00	-11.18	0.00	-1.820	0.000	-62.103
		Min Case	COMB21	COMB6	COMB8	COMB14	COMB4	COMB3
		Max Value	0.00	42.15	0.00	3.116	0.000	34.513
		Max Case	COMB21	COMB3	COMB10	COMB15	COMB10	COMB5
LT 3	B19	Min Value	0.00	-236.25	0.00	-18.892	0.000	-365.928
		Min Case	COMB21	COMB6	COMB15	COMB14	COMB15	COMB6
		Max Value	0.00	240.04	0.00	18.332	0.000	289.711
		Max Case	COMB21	COMB3	COMB18	COMB14	COMB18	COMB2
LT 3	B20	Min Value	0.00	-217.39	0.00	-15.365	0.000	-359.970
		Min Case	COMB21	COMB5	COMB21	COMB11	COMB2	COMB3
		Max Value	0.00	221.53	0.00	15.975	0.000	292.650
		Max Case	COMB21	COMB3	COMB2	COMB11	COMB21	COMB2
LT 3	B21	Min Value	0.00	-202.85	0.00	-39.887	0.000	-337.132
		Min Case	COMB21	COMB5	COMB11	COMB13	COMB18	COMB3
		Max Value	0.00	202.85	0.00	39.887	0.000	265.912
		Max Case	COMB21	COMB3	COMB16	COMB11	COMB11	COMB2
LT 3	B22	Min Value	0.00	-221.53	0.00	-15.975	0.000	-359.970
		Min Case	COMB21	COMB5	COMB16	COMB13	COMB17	COMB5
		Max Value	0.00	217.39	0.00	15.365	0.000	292.650
		Max Case	COMB21	COMB3	COMB17	COMB13	COMB12	COMB2
LT 3	B23	Min Value	0.00	-240.04	0.00	-18.332	0.000	-365.928
		Min Case	COMB21	COMB5	COMB17	COMB12	COMB16	COMB4
		Max Value	0.00	236.25	0.00	18.892	0.000	289.711
		Max Case	COMB21	COMB4	COMB16	COMB12	COMB17	COMB2
LT 3	B24	Min Value	0.00	-28.79	0.00	-3.139	0.000	-46.082
		Min Case	COMB21	COMB4	COMB21	COMB10	COMB10	COMB4
		Max Value	0.00	0.28	0.00	5.781	0.000	6.242
		Max Case	COMB21	EY	COMB21	COMB3	COMB8	COMB11
LT 3	B25	Min Value	0.00	-28.79	0.00	-5.781	0.000	-46.082
		Min Case	COMB21	COMB6	COMB21	COMB5	COMB10	COMB6
		Max Value	0.00	3.27	0.00	4.121	0.000	6.655
		Max Case	COMB21	EX	COMB21	EX	COMB8	EX
LT 3	B26	Min Value	0.00	-32.21	0.00	-6.242	0.000	-50.924
		Min Case	COMB21	COMB2	COMB18	COMB11	COMB15	COMB5
		Max Value	0.00	5.71	0.00	2.324	0.000	12.293
		Max Case	COMB21	COMB4	COMB15	COMB18	COMB18	EX

LT 3	B27	Min Value	0.00	-5.71	0.00	-2.324	0.000	-50.924
		Min Case	COMB21	COMB6	COMB10	COMB16	COMB4	COMB3
		Max Value	0.00	32.21	0.00	6.242	0.000	6.684
		Max Case	COMB21	COMB2	COMB8	COMB13	COMB10	COMB6
LT 3	B28	Min Value	0.00	-131.86	0.00	-0.143	0.000	-216.655
		Min Case	COMB21	COMB14	COMB10	COMB9	COMB10	COMB14
		Max Value	0.00	130.81	0.00	0.276	0.000	108.258
		Max Case	COMB21	COMB11	COMB4	COMB4	COMB4	EY
LT 3	B29	Min Value	0.00	-116.06	0.00	-0.229	0.000	-183.199
		Min Case	COMB21	COMB2	COMB10	COMB3	COMB10	COMB2
		Max Value	0.00	124.62	0.00	0.158	0.000	100.482
		Max Case	COMB21	COMB2	COMB4	COMB10	COMB8	COMB2
LT 3	B30	Min Value	0.00	-174.00	0.00	-0.268	0.000	-264.313
		Min Case	COMB21	COMB14	COMB10	COMB5	COMB10	COMB14
		Max Value	0.00	172.40	0.00	0.128	0.000	122.312
		Max Case	COMB21	COMB11	COMB4	EX	COMB4	COMB2
LT 3	B31	Min Value	0.00	-120.91	0.00	-0.025	0.000	-183.161
		Min Case	COMB21	COMB2	COMB10	EX	COMB10	COMB2
		Max Value	0.00	119.77	0.00	0.199	0.000	85.666
		Max Case	COMB21	COMB2	COMB4	COMB5	COMB8	COMB2
LT 3	B32	Min Value	0.00	-130.84	0.00	-16.880	0.000	-228.852
		Min Case	COMB21	COMB14	COMB10	COMB5	COMB3	COMB14
		Max Value	0.00	134.76	0.00	34.044	0.000	106.927
		Max Case	COMB21	COMB13	COMB4	COMB5	COMB10	EY
LT 3	B34	Min Value	0.00	-104.65	0.00	-0.004	0.000	-153.293
		Min Case	COMB21	COMB2	COMB21	COMB4	COMB2	COMB2
		Max Value	0.00	79.78	0.00	0.004	0.000	58.494
		Max Case	COMB21	COMB2	COMB2	COMB9	COMB21	COMB2
LT 3	B35	Min Value	0.00	-130.84	0.00	-34.044	0.000	-228.852
		Min Case	COMB21	COMB12	COMB10	COMB3	COMB3	COMB12
		Max Value	0.00	134.76	0.00	16.880	0.000	106.927
		Max Case	COMB21	COMB11	COMB4	COMB3	COMB10	EY
LT 3	B36	Min Value	0.00	-120.91	0.00	-0.199	0.000	-183.161
		Min Case	COMB21	COMB2	COMB10	COMB3	COMB10	COMB2
		Max Value	0.00	119.77	0.00	0.000	0.000	85.666
		Max Case	COMB21	COMB2	COMB4	RAIN	COMB8	COMB2
LT 3	B37	Min Value	0.00	-174.00	0.00	-0.069	0.000	-264.313
		Min Case	COMB21	COMB12	COMB10	COMB10	COMB10	COMB12
		Max Value	0.00	172.40	0.00	0.268	0.000	122.312
		Max Case	COMB21	COMB13	COMB4	COMB3	COMB4	COMB2
LT 3	B38	Min Value	0.00	-116.06	0.00	-0.158	0.000	-183.199
		Min Case	COMB21	COMB2	COMB10	COMB8	COMB10	COMB2
		Max Value	0.00	124.62	0.00	0.229	0.000	100.482
		Max Case	COMB21	COMB2	COMB4	COMB5	COMB8	COMB2
LT 3	B39	Min Value	0.00	-131.86	0.00	-0.276	0.000	-216.655
		Min Case	COMB21	COMB12	COMB10	COMB6	COMB10	COMB12
		Max Value	0.00	130.81	0.00	0.179	0.000	108.258
		Max Case	COMB21	COMB13	COMB4	EX	COMB4	EY
LT 3	B40	Min Value	0.00	-262.77	0.00	-14.584	0.000	-405.919
		Min Case	COMB21	COMB6	COMB15	COMB14	COMB15	COMB6
		Max Value	0.00	254.09	0.00	14.429	0.000	327.020
		Max Case	COMB21	COMB4	COMB18	COMB14	COMB18	COMB2
LT 3	B41	Min Value	0.00	-217.91	0.00	-16.251	0.000	-359.008
		Min Case	COMB21	COMB6	COMB21	COMB14	COMB2	COMB4
		Max Value	0.00	220.43	0.00	15.593	0.000	289.670
		Max Case	COMB21	COMB4	COMB2	COMB14	COMB21	COMB2
LT 3	B42	Min Value	0.00	-248.16	0.00	-18.872	0.000	-377.697
		Min Case	COMB21	COMB6	COMB6	COMB14	COMB8	COMB6
		Max Value	0.00	248.16	0.00	18.872	0.000	300.212
		Max Case	COMB21	COMB4	COMB8	COMB12	COMB6	COMB2
LT 3	B43	Min Value	0.00	-220.43	0.00	-15.593	0.000	-359.008
		Min Case	COMB21	COMB6	COMB16	COMB12	COMB17	COMB6
		Max Value	0.00	217.91	0.00	16.251	0.000	289.670
		Max Case	COMB21	COMB4	COMB17	COMB12	COMB12	COMB2
LT 3	B44	Min Value	0.00	-254.09	0.00	-14.429	0.000	-405.919
		Min Case	COMB21	COMB6	COMB17	COMB12	COMB16	COMB4
		Max Value	0.00	262.77	0.00	14.584	0.000	327.020
		Max Case	COMB21	COMB4	COMB16	COMB12	COMB17	COMB2
LT 3	B45	Min Value	0.00	-128.42	0.00	-0.967	0.000	-228.382
		Min Case	COMB21	COMB14	EY	COMB2	COMB4	COMB11
		Max Value	0.00	135.32	0.00	0.121	0.000	108.428
		Max Case	COMB21	COMB11	COMB1	EX	COMB10	EY
LT 3	B46	Min Value	0.00	-135.91	0.00	-0.624	0.000	-186.375
		Min Case	COMB21	COMB2	COMB8	COMB2	COMB4	COMB2
		Max Value	0.00	104.77	0.00	0.006	0.000	142.436
		Max Case	COMB21	COMB2	COMB10	EY	COMB9	COMB2

LT 3	B47	Min Value	0.00	-168.60	0.00	-0.004	0.000	-279.634
		Min Case	COMB21	COMB14	EY	LIVE	COMB4	COMB11
		Max Value	0.00	178.73	0.00	0.350	0.000	125.132
		Max Case	COMB21	COMB11	COMB1	COMB3	COMB10	COMB2
LT 3	B48	Min Value	0.00	-136.06	0.00	-0.037	0.000	-185.330
		Min Case	COMB21	COMB2	COMB8	EX	COMB4	COMB2
		Max Value	0.00	104.62	0.00	0.315	0.000	144.108
		Max Case	COMB21	COMB2	COMB10	COMB6	COMB9	COMB2
LT 3	B49	Min Value	0.00	-169.06	0.00	-0.325	0.000	-276.291
		Min Case	COMB21	COMB14	EY	COMB6	COMB4	COMB11
		Max Value	0.00	177.98	0.00	0.127	0.000	125.953
		Max Case	COMB21	COMB11	COMB1	EX	COMB10	COMB2
LT 3	B50	Min Value	0.00	-133.14	0.00	-0.046	0.000	-167.262
		Min Case	COMB21	COMB2	COMB8	COMB4	COMB4	COMB2
		Max Value	0.00	107.54	0.00	0.046	0.000	150.485
		Max Case	COMB21	COMB2	COMB10	COMB9	COMB9	COMB2
LT 3	B51	Min Value	0.00	-169.06	0.00	-0.010	0.000	-276.291
		Min Case	COMB21	COMB12	EY	LIVE	COMB4	COMB13
		Max Value	0.00	177.98	0.00	0.325	0.000	125.953
		Max Case	COMB21	COMB13	COMB1	COMB4	COMB10	COMB2
LT 3	B52	Min Value	0.00	-136.06	0.00	-0.315	0.000	-185.330
		Min Case	COMB21	COMB2	COMB8	COMB4	COMB4	COMB2
		Max Value	0.00	104.62	0.00	0.002	0.000	144.108
		Max Case	COMB21	COMB2	COMB10	EY	COMB9	COMB2
LT 3	B53	Min Value	0.00	-168.60	0.00	-0.350	0.000	-279.634
		Min Case	COMB21	COMB12	EY	COMB5	COMB4	COMB13
		Max Value	0.00	178.73	0.00	0.107	0.000	125.132
		Max Case	COMB21	COMB13	COMB1	EX	COMB10	COMB2
LT 3	B54	Min Value	0.00	-135.91	0.00	-0.038	0.000	-186.375
		Min Case	COMB21	COMB2	COMB8	EX	COMB4	COMB2
		Max Value	0.00	104.77	0.00	0.624	0.000	142.436
		Max Case	COMB21	COMB2	COMB10	COMB2	COMB9	COMB2
LT 3	B55	Min Value	0.00	-128.42	0.00	-0.030	0.000	-228.382
		Min Case	COMB21	COMB12	EY	EY	COMB4	COMB13
		Max Value	0.00	135.32	0.00	0.967	0.000	108.428
		Max Case	COMB21	COMB13	COMB1	COMB2	COMB10	EY
LT 3	B56	Min Value	0.00	-166.43	0.00	-40.648	0.000	-275.172
		Min Case	COMB21	COMB5	COMB15	COMB11	COMB15	COMB5
		Max Value	0.00	161.45	0.00	41.785	0.000	159.255
		Max Case	COMB21	COMB3	COMB18	COMB11	COMB18	COMB2
LT 3	B57	Min Value	0.00	-163.13	0.00	-39.943	0.000	-265.350
		Min Case	COMB21	COMB5	COMB21	COMB11	COMB2	COMB3
		Max Value	0.00	163.27	0.00	39.996	0.000	156.050
		Max Case	COMB21	COMB3	COMB2	COMB11	COMB21	COMB2
LT 3	B58	Min Value	0.00	-164.50	0.00	-41.789	0.000	-267.059
		Min Case	COMB21	COMB5	COMB6	COMB13	COMB8	COMB3
		Max Value	0.00	164.50	0.00	41.789	0.000	158.581
		Max Case	COMB21	COMB3	COMB8	COMB11	COMB6	COMB2
LT 3	B59	Min Value	0.00	-163.27	0.00	-39.996	0.000	-265.350
		Min Case	COMB21	COMB5	COMB16	COMB13	COMB17	COMB5
		Max Value	0.00	163.13	0.00	39.943	0.000	156.050
		Max Case	COMB21	COMB3	COMB17	COMB13	COMB12	COMB2
LT 3	B60	Min Value	0.00	-161.45	0.00	-41.785	0.000	-275.172
		Min Case	COMB21	COMB5	COMB17	COMB13	COMB16	COMB3
		Max Value	0.00	166.43	0.00	40.648	0.000	159.255
		Max Case	COMB21	COMB3	COMB16	COMB13	COMB17	COMB2
LT 2	B1	Min Value	-9.06	-118.97	0.00	-30.210	-0.144	-207.421
		Min Case	COMB1	COMB6	COMB2	COMB12	COMB1	COMB6
		Max Value	0.44	136.70	0.08	29.640	0.125	111.442
		Max Case	EX	COMB4	COMB1	COMB12	COMB11	COMB2
LT 2	B2	Min Value	0.00	-158.41	0.00	-38.804	0.000	-244.457
		Min Case	COMB21	COMB6	COMB17	COMB14	COMB14	COMB4
		Max Value	0.00	158.27	0.00	38.723	0.000	155.711
		Max Case	COMB21	COMB4	COMB18	COMB14	COMB17	COMB2
LT 2	B3	Min Value	0.00	-157.83	0.00	-37.613	0.000	-244.172
		Min Case	COMB21	COMB6	COMB12	COMB14	COMB17	COMB6
		Max Value	0.00	157.83	0.00	37.613	0.000	154.078
		Max Case	COMB21	COMB4	COMB17	COMB12	COMB12	COMB2
LT 2	B4	Min Value	0.00	-158.27	0.00	-38.723	0.000	-244.457
		Min Case	COMB21	COMB6	COMB17	COMB12	COMB11	COMB6
		Max Value	0.00	158.41	0.00	38.804	0.000	155.711
		Max Case	COMB21	COMB4	COMB18	COMB12	COMB18	COMB2
LT 2	B5	Min Value	-9.06	-136.70	-0.08	-29.640	-0.144	-207.421
		Min Case	COMB1	COMB6	COMB1	COMB14	COMB1	COMB4
		Max Value	0.04	118.97	0.00	30.210	0.125	111.442

		Max Case	EY	COMB4	EX	COMB14	COMB13	COMB2
LT 2	B6	Min Value	-6.92	-100.79	-0.04	-39.340	-0.084	-187.141
		Min Case	COMB14	COMB14	COMB14	COMB5	COMB14	COMB14
		Max Value	1.02	123.88	0.01	20.576	0.089	102.096
		Max Case	EY	COMB13	EY	COMB5	COMB14	EY
LT 2	B7	Min Value	0.00	-61.83	0.00	-18.385	0.000	-140.357
		Min Case	COMB21	COMB2	COMB1	COMB3	COMB10	COMB2
		Max Value	0.00	99.71	0.00	9.432	0.000	79.258
		Max Case	COMB21	COMB2	COMB21	COMB3	COMB4	COMB2
LT 2	B8	Min Value	0.00	-137.68	0.00	-0.319	0.000	-224.706
		Min Case	COMB21	COMB14	COMB1	COMB6	COMB2	COMB14
		Max Value	0.00	130.68	0.00	0.094	0.000	101.552
		Max Case	COMB21	COMB11	COMB2	EX	COMB1	EY
LT 2	B9	Min Value	0.00	-103.72	0.00	-0.386	0.000	-191.084
		Min Case	COMB21	COMB2	COMB20	COMB3	COMB6	COMB2
		Max Value	0.00	136.96	0.00	0.000	0.000	141.939
		Max Case	COMB21	COMB2	COMB2	RAIN	COMB4	COMB2
LT 2	B10	Min Value	0.00	-136.22	0.00	-0.077	0.000	-219.261
		Min Case	COMB21	COMB14	COMB1	COMB5	COMB2	COMB14
		Max Value	0.00	131.89	0.00	0.093	0.000	101.547
		Max Case	COMB21	COMB11	COMB2	COMB8	COMB1	EY
LT 2	B11	Min Value	0.00	-102.82	0.00	-0.060	0.000	-195.628
		Min Case	COMB21	COMB2	COMB20	COMB4	COMB6	COMB2
		Max Value	0.00	137.86	0.00	0.060	0.000	140.994
		Max Case	COMB21	COMB2	COMB2	COMB9	COMB4	COMB2
LT 2	B12	Min Value	0.00	-136.22	0.00	-0.093	0.000	-219.261
		Min Case	COMB21	COMB12	COMB1	COMB10	COMB2	COMB12
		Max Value	0.00	131.89	0.00	0.077	0.000	101.547
		Max Case	COMB21	COMB13	COMB2	COMB3	COMB1	EY
LT 2	B13	Min Value	0.00	-103.72	0.00	-0.038	0.000	-191.084
		Min Case	COMB21	COMB2	COMB20	EX	COMB6	COMB2
		Max Value	0.00	136.96	0.00	0.386	0.000	141.939
		Max Case	COMB21	COMB2	COMB2	COMB5	COMB4	COMB2
LT 2	B14	Min Value	0.00	-137.68	0.00	-0.004	0.000	-224.706
		Min Case	COMB21	COMB12	COMB1	EY	COMB2	COMB12
		Max Value	0.00	130.68	0.00	0.319	0.000	101.552
		Max Case	COMB21	COMB13	COMB2	COMB4	COMB1	EY
LT 2	B15	Min Value	0.00	-61.83	0.00	-9.432	0.000	-140.357
		Min Case	COMB21	COMB2	COMB1	COMB5	COMB10	COMB2
		Max Value	0.00	99.71	0.00	18.385	0.000	79.258
		Max Case	COMB21	COMB2	COMB21	COMB5	COMB4	COMB2
LT 2	B16	Min Value	-6.92	-100.79	-0.01	-20.576	-0.089	-187.141
		Min Case	COMB12	COMB12	EY	COMB3	COMB12	COMB12
		Max Value	1.02	123.88	0.04	39.340	0.084	102.096
		Max Case	EY	COMB11	COMB12	COMB3	COMB12	EY
LT 2	B17	Min Value	0.00	-41.97	0.00	-2.935	0.000	-59.916
		Min Case	COMB21	COMB2	COMB21	COMB17	COMB20	COMB5
		Max Value	0.00	11.00	0.00	1.669	0.000	33.891
		Max Case	COMB21	COMB4	COMB21	COMB12	COMB2	COMB3
LT 2	B18	Min Value	0.00	-11.00	0.00	-1.669	0.000	-59.916
		Min Case	COMB21	COMB6	COMB21	COMB14	COMB10	COMB3
		Max Value	0.00	41.97	0.00	2.935	0.000	33.891
		Max Case	COMB21	COMB2	COMB21	COMB15	COMB4	COMB5
LT 2	B19	Min Value	0.00	-231.97	0.00	-17.425	0.000	-344.249
		Min Case	COMB21	COMB6	COMB2	COMB14	COMB14	COMB6
		Max Value	0.00	238.23	0.00	17.013	0.000	288.777
		Max Case	COMB21	COMB3	COMB2	COMB14	COMB13	COMB2
LT 2	B20	Min Value	0.00	-215.55	0.00	-15.130	0.000	-340.117
		Min Case	COMB21	COMB5	COMB17	COMB11	COMB14	COMB3
		Max Value	0.00	218.30	0.00	15.578	0.000	292.656
		Max Case	COMB21	COMB3	COMB18	COMB11	COMB17	COMB2
LT 2	B21	Min Value	0.00	-200.49	0.00	-39.757	0.000	-320.492
		Min Case	COMB21	COMB5	COMB8	COMB13	COMB18	COMB3
		Max Value	0.00	200.49	0.00	39.757	0.000	265.956
		Max Case	COMB21	COMB3	COMB10	COMB11	COMB15	COMB2
LT 2	B22	Min Value	0.00	-218.30	0.00	-15.578	0.000	-340.117
		Min Case	COMB21	COMB5	COMB17	COMB13	COMB11	COMB5
		Max Value	0.00	215.55	0.00	15.130	0.000	292.656
		Max Case	COMB21	COMB3	COMB18	COMB13	COMB18	COMB2
LT 2	B23	Min Value	0.00	-238.23	0.00	-17.013	0.000	-344.249
		Min Case	COMB21	COMB5	COMB14	COMB12	COMB15	COMB4
		Max Value	0.00	231.97	0.00	17.425	0.000	288.777
		Max Case	COMB21	COMB4	COMB15	COMB12	COMB14	COMB2
LT 2	B24	Min Value	0.00	-28.67	0.00	-2.903	0.000	-45.744
		Min Case	COMB21	COMB2	COMB10	COMB10	COMB4	COMB4

		Max Value	0.00	0.26	0.00	5.472	0.000	6.003
		Max Case	COMB21	EY	COMB8	COMB3	COMB10	COMB11
LT 2	B25	Min Value	0.00	-28.67	0.00	-5.472	0.000	-45.744
		Min Case	COMB21	COMB2	COMB21	COMB10	COMB5	COMB4
		Max Value	0.00	3.06	0.00	3.864	0.000	6.235
		Max Case	COMB21	EX	COMB8	EX	COMB10	EX
LT 2	B26	Min Value	0.00	-32.13	0.00	-6.003	0.000	-50.018
		Min Case	COMB21	COMB2	COMB21	COMB11	COMB6	COMB5
		Max Value	0.00	5.57	0.00	2.067	0.000	11.522
		Max Case	COMB21	COMB4	COMB21	COMB18	EX	EX
LT 2	B27	Min Value	0.00	-5.57	0.00	-2.067	0.000	-50.018
		Min Case	COMB21	COMB6	COMB8	COMB16	COMB10	COMB3
		Max Value	0.00	32.13	0.00	6.003	0.000	6.309
		Max Case	COMB21	COMB2	COMB10	COMB13	COMB8	COMB6
LT 2	B28	Min Value	0.00	-128.66	0.00	-0.127	0.000	-202.948
		Min Case	COMB21	COMB14	COMB8	COMB9	COMB4	COMB14
		Max Value	0.00	127.77	0.00	0.219	0.000	99.619
		Max Case	COMB21	COMB11	COMB6	COMB4	COMB10	EY
LT 2	B29	Min Value	0.00	-115.98	0.00	-0.262	0.000	-185.252
		Min Case	COMB21	COMB2	COMB1	COMB3	COMB8	COMB2
		Max Value	0.00	124.70	0.00	0.095	0.000	98.744
		Max Case	COMB21	COMB2	EY	COMB10	COMB6	COMB2
LT 2	B30	Min Value	0.00	-170.59	0.00	-0.221	0.000	-248.519
		Min Case	COMB21	COMB14	COMB8	COMB5	COMB4	COMB14
		Max Value	0.00	169.40	0.00	0.115	0.000	121.795
		Max Case	COMB21	COMB11	COMB6	EX	COMB10	COMB2
LT 2	B31	Min Value	0.00	-120.72	0.00	-0.026	0.000	-184.042
		Min Case	COMB21	COMB2	COMB1	EX	COMB8	COMB2
		Max Value	0.00	119.96	0.00	0.143	0.000	84.024
		Max Case	COMB21	COMB2	EY	COMB5	COMB6	COMB2
LT 2	B32	Min Value	0.00	-127.77	0.00	-16.627	0.000	-213.914
		Min Case	COMB21	COMB14	COMB8	COMB5	COMB6	COMB14
		Max Value	0.00	132.51	0.00	33.391	0.000	98.628
		Max Case	COMB21	COMB13	COMB6	COMB5	COMB8	COMB13
LT 2	B34	Min Value	0.00	-105.00	0.00	-0.001	0.000	-155.949
		Min Case	COMB21	COMB2	COMB1	COMB6	COMB8	COMB2
		Max Value	0.00	79.43	0.00	0.001	0.000	57.063
		Max Case	COMB21	COMB2	COMB2	COMB7	COMB6	COMB2
LT 2	B35	Min Value	0.00	-127.77	0.00	-33.391	0.000	-213.914
		Min Case	COMB21	COMB12	COMB8	COMB3	COMB6	COMB12
		Max Value	0.00	132.51	0.00	16.627	0.000	98.628
		Max Case	COMB21	COMB11	COMB6	COMB3	COMB8	COMB11
LT 2	B36	Min Value	0.00	-120.72	0.00	-0.143	0.000	-184.042
		Min Case	COMB21	COMB2	COMB1	COMB3	COMB8	COMB2
		Max Value	0.00	119.96	0.00	0.000	0.000	84.024
		Max Case	COMB21	COMB2	EY	RAIN	COMB6	COMB2
LT 2	B37	Min Value	0.00	-170.59	0.00	-0.069	0.000	-248.519
		Min Case	COMB21	COMB12	COMB8	COMB10	COMB4	COMB12
		Max Value	0.00	169.40	0.00	0.221	0.000	121.795
		Max Case	COMB21	COMB13	COMB6	COMB3	COMB10	COMB2
LT 2	B38	Min Value	0.00	-115.98	0.00	-0.127	0.000	-185.252
		Min Case	COMB21	COMB2	COMB1	EX	COMB8	COMB2
		Max Value	0.00	124.70	0.00	0.262	0.000	98.744
		Max Case	COMB21	COMB2	EY	COMB5	COMB6	COMB2
LT 2	B39	Min Value	0.00	-128.66	0.00	-0.219	0.000	-202.948
		Min Case	COMB21	COMB12	COMB8	COMB6	COMB4	COMB12
		Max Value	0.00	127.77	0.00	0.151	0.000	99.619
		Max Case	COMB21	COMB13	COMB6	EX	COMB10	EY
LT 2	B40	Min Value	0.00	-258.13	0.00	-14.212	0.000	-381.836
		Min Case	COMB21	COMB6	COMB2	COMB14	COMB14	COMB6
		Max Value	0.00	252.64	0.00	14.072	0.000	325.723
		Max Case	COMB21	COMB4	COMB2	COMB14	COMB13	COMB2
LT 2	B41	Min Value	0.00	-216.06	0.00	-15.815	0.000	-340.009
		Min Case	COMB21	COMB6	COMB17	COMB14	COMB14	COMB4
		Max Value	0.00	217.70	0.00	15.333	0.000	290.631
		Max Case	COMB21	COMB4	COMB18	COMB14	COMB17	COMB2
LT 2	B42	Min Value	0.00	-245.44	0.00	-18.497	0.000	-359.517
		Min Case	COMB21	COMB6	COMB12	COMB14	COMB17	COMB6
		Max Value	0.00	245.44	0.00	18.497	0.000	300.858
		Max Case	COMB21	COMB4	COMB17	COMB12	COMB12	COMB2
LT 2	B43	Min Value	0.00	-217.70	0.00	-15.333	0.000	-340.009
		Min Case	COMB21	COMB6	COMB17	COMB12	COMB11	COMB6
		Max Value	0.00	216.06	0.00	15.815	0.000	290.631
		Max Case	COMB21	COMB4	COMB18	COMB12	COMB18	COMB2
LT 2	B44	Min Value	0.00	-252.64	0.00	-14.072	0.000	-381.836

		Min Case	COMB21	COMB6	COMB14	COMB12	COMB15	COMB4
		Max Value	0.00	258.13	0.00	14.212	0.000	325.723
		Max Case	COMB21	COMB4	COMB15	COMB12	COMB14	COMB2
LT 2	B45	Min Value	0.00	-126.51	0.00	-0.712	0.000	-209.824
		Min Case	COMB21	COMB14	COMB2	COMB6	EY	COMB11
		Max Value	0.00	130.75	0.00	0.109	0.000	99.831
		Max Case	COMB21	COMB11	COMB1	EX	COMB2	EY
LT 2	B46	Min Value	0.00	-136.49	0.00	-0.408	0.000	-189.497
		Min Case	COMB21	COMB2	COMB2	COMB2	COMB18	COMB2
		Max Value	0.00	104.19	0.00	0.004	0.000	141.651
		Max Case	COMB21	COMB2	COMB1	EY	COMB13	COMB2
LT 2	B47	Min Value	0.00	-167.21	0.00	-0.001	0.000	-257.619
		Min Case	COMB21	COMB14	COMB2	LIVE	EY	COMB11
		Max Value	0.00	173.51	0.00	0.279	0.000	123.962
		Max Case	COMB21	COMB11	COMB1	COMB3	COMB2	COMB2
LT 2	B48	Min Value	0.00	-136.67	0.00	-0.034	0.000	-188.741
		Min Case	COMB21	COMB2	COMB2	EX	COMB18	COMB2
		Max Value	0.00	104.01	0.00	0.219	0.000	143.130
		Max Case	COMB21	COMB2	COMB1	COMB6	COMB13	COMB2
LT 2	B49	Min Value	0.00	-167.45	0.00	-0.264	0.000	-255.334
		Min Case	COMB21	COMB14	COMB2	COMB6	EY	COMB11
		Max Value	0.00	173.00	0.00	0.114	0.000	124.552
		Max Case	COMB21	COMB11	COMB1	EX	COMB2	COMB2
LT 2	B50	Min Value	0.00	-133.78	0.00	-0.040	0.000	-170.932
		Min Case	COMB21	COMB2	COMB2	COMB4	COMB18	COMB2
		Max Value	0.00	106.90	0.00	0.040	0.000	149.375
		Max Case	COMB21	COMB2	COMB1	COMB9	COMB13	COMB2
LT 2	B51	Min Value	0.00	-167.45	0.00	-0.007	0.000	-255.334
		Min Case	COMB21	COMB12	COMB2	LIVE	EY	COMB13
		Max Value	0.00	173.00	0.00	0.264	0.000	124.552
		Max Case	COMB21	COMB13	COMB1	COMB4	COMB2	COMB2
LT 2	B52	Min Value	0.00	-136.67	0.00	-0.219	0.000	-188.741
		Min Case	COMB21	COMB2	COMB2	COMB4	COMB18	COMB2
		Max Value	0.00	104.01	0.00	0.001	0.000	143.130
		Max Case	COMB21	COMB2	COMB1	EY	COMB13	COMB2
LT 2	B53	Min Value	0.00	-167.21	0.00	-0.279	0.000	-257.619
		Min Case	COMB21	COMB12	COMB2	COMB5	EY	COMB13
		Max Value	0.00	173.51	0.00	0.100	0.000	123.962
		Max Case	COMB21	COMB13	COMB1	EX	COMB2	COMB2
LT 2	B54	Min Value	0.00	-136.49	0.00	-0.035	0.000	-189.497
		Min Case	COMB21	COMB2	COMB2	EX	COMB18	COMB2
		Max Value	0.00	104.19	0.00	0.408	0.000	141.651
		Max Case	COMB21	COMB2	COMB1	COMB2	COMB13	COMB2
LT 2	B55	Min Value	0.00	-126.51	0.00	-0.021	0.000	-209.824
		Min Case	COMB21	COMB12	COMB2	EY	EY	COMB13
		Max Value	0.00	130.75	0.00	0.712	0.000	99.831
		Max Case	COMB21	COMB13	COMB1	COMB4	COMB2	EY
LT 2	B56	Min Value	0.00	-161.95	0.00	-39.438	0.000	-255.980
		Min Case	COMB21	COMB5	COMB2	COMB11	COMB14	COMB5
		Max Value	0.00	158.90	0.00	40.257	0.000	157.740
		Max Case	COMB21	COMB3	COMB2	COMB11	COMB13	COMB2
LT 2	B57	Min Value	0.00	-159.79	0.00	-38.650	0.000	-249.728
		Min Case	COMB21	COMB5	COMB17	COMB11	COMB14	COMB3
		Max Value	0.00	159.87	0.00	38.706	0.000	155.360
		Max Case	COMB21	COMB3	COMB18	COMB11	COMB17	COMB2
LT 2	B58	Min Value	0.00	-161.12	0.00	-40.504	0.000	-251.459
		Min Case	COMB21	COMB5	COMB12	COMB13	COMB17	COMB3
		Max Value	0.00	161.12	0.00	40.504	0.000	157.958
		Max Case	COMB21	COMB3	COMB17	COMB11	COMB12	COMB2
LT 2	B59	Min Value	0.00	-159.87	0.00	-38.706	0.000	-249.728
		Min Case	COMB21	COMB5	COMB17	COMB13	COMB11	COMB5
		Max Value	0.00	159.79	0.00	38.650	0.000	155.360
		Max Case	COMB21	COMB3	COMB18	COMB13	COMB18	COMB2
LT 2	B60	Min Value	0.00	-158.90	0.00	-40.257	0.000	-255.980
		Min Case	COMB21	COMB5	COMB14	COMB13	COMB15	COMB3
		Max Value	0.00	161.95	0.00	39.438	0.000	157.740
		Max Case	COMB21	COMB3	COMB15	COMB13	COMB14	COMB2
LT 1	B1	Min Value	-0.55	-110.64	-0.32	-27.129	-0.464	-188.209
		Min Case	EY	COMB6	COMB11	COMB12	COMB11	COMB4
		Max Value	36.86	131.14	0.00	26.553	0.620	111.008
		Max Case	COMB4	COMB4	COMB13	COMB12	COMB11	COMB2
LT 1	B2	Min Value	0.00	-151.49	0.00	-35.768	0.000	-222.888
		Min Case	COMB21	COMB6	COMB17	COMB14	COMB17	COMB4
		Max Value	0.00	151.64	0.00	35.673	0.000	155.076
		Max Case	COMB21	COMB4	COMB12	COMB14	COMB14	COMB2

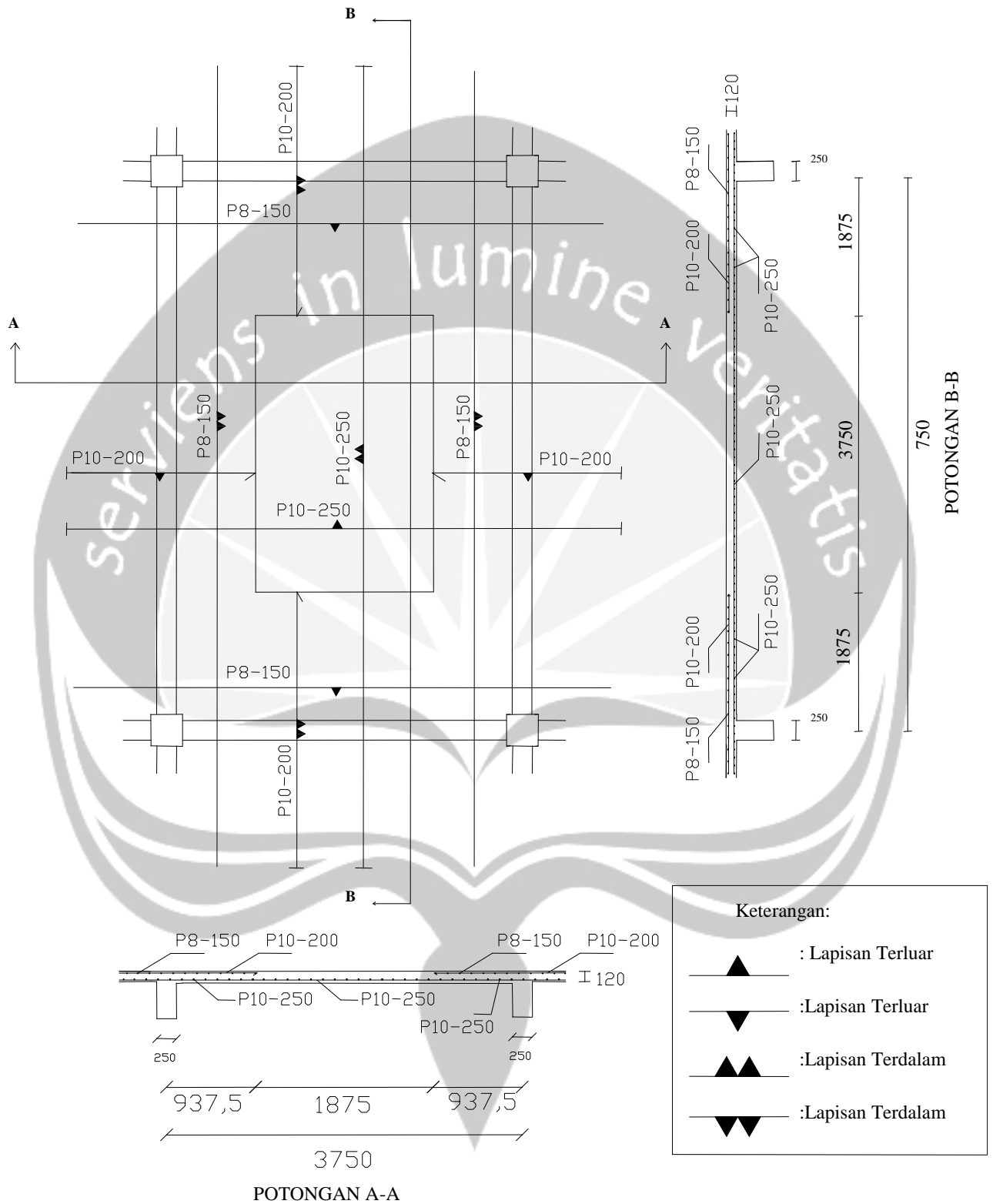
LT 1	B3	Min Value	0.00	-151.13	0.00	-34.757	0.000	-222.301
		Min Case	COMB21	COMB6	COMB14	COMB14	COMB17	COMB6
		Max Value	0.00	151.13	0.00	34.757	0.000	153.691
		Max Case	COMB21	COMB4	COMB17	COMB12	COMB16	COMB2
LT 1	B4	Min Value	0.00	-151.64	0.00	-35.673	0.000	-222.888
		Min Case	COMB21	COMB6	COMB17	COMB12	COMB11	COMB6
		Max Value	0.00	151.49	0.00	35.768	0.000	155.076
		Max Case	COMB21	COMB4	COMB16	COMB12	COMB18	COMB2
LT 1	B5	Min Value	-11.98	-131.14	-0.03	-26.553	-0.464	-188.209
		Min Case	EX	COMB6	EX	COMB14	COMB13	COMB6
		Max Value	36.86	110.64	0.32	27.129	0.620	111.008
		Max Case	COMB6	COMB4	COMB13	COMB14	COMB13	COMB2
LT 1	B6	Min Value	-0.16	-92.00	0.00	-35.168	-0.317	-163.433
		Min Case	EX	COMB14	COMB8	COMB5	COMB3	COMB11
		Max Value	30.51	118.34	0.12	18.562	0.254	88.598
		Max Case	COMB13	COMB13	COMB3	COMB5	COMB3	COMB14
LT 1	B7	Min Value	0.00	-61.36	0.00	-17.658	0.000	-142.857
		Min Case	COMB21	COMB2	COMB8	COMB3	COMB10	COMB2
		Max Value	0.00	100.42	0.00	8.878	0.000	79.303
		Max Case	COMB21	COMB2	COMB10	COMB3	COMB8	COMB2
LT 1	B8	Min Value	0.00	-128.59	0.00	-0.304	0.000	-193.807
		Min Case	COMB21	COMB14	COMB14	COMB6	COMB4	COMB14
		Max Value	0.00	126.30	0.00	0.071	0.000	97.493
		Max Case	COMB21	COMB11	COMB17	EX	COMB9	COMB2
LT 1	B9	Min Value	0.00	-103.21	0.00	-0.207	0.000	-193.133
		Min Case	COMB21	COMB2	COMB4	COMB3	COMB4	COMB2
		Max Value	0.00	137.47	0.00	0.000	0.000	141.920
		Max Case	COMB21	COMB2	COMB9	RAIN	COMB9	COMB2
LT 1	B10	Min Value	0.00	-127.88	0.00	-0.047	0.000	-190.842
		Min Case	COMB21	COMB14	COMB14	COMB5	COMB4	COMB14
		Max Value	0.00	126.81	0.00	0.085	0.000	98.121
		Max Case	COMB21	COMB11	COMB17	COMB8	COMB9	COMB2
LT 1	B11	Min Value	0.00	-102.42	0.00	-0.049	0.000	-197.163
		Min Case	COMB21	COMB2	COMB4	COMB4	COMB4	COMB2
		Max Value	0.00	138.26	0.00	0.049	0.000	141.045
		Max Case	COMB21	COMB2	COMB9	COMB9	COMB9	COMB2
LT 1	B12	Min Value	0.00	-127.88	0.00	-0.085	0.000	-190.842
		Min Case	COMB21	COMB12	COMB14	COMB10	COMB4	COMB12
		Max Value	0.00	126.81	0.00	0.059	0.000	98.121
		Max Case	COMB21	COMB13	COMB17	EX	COMB9	COMB2
LT 1	B13	Min Value	0.00	-103.21	0.00	-0.027	0.000	-193.133
		Min Case	COMB21	COMB2	COMB4	EX	COMB4	COMB2
		Max Value	0.00	137.47	0.00	0.207	0.000	141.920
		Max Case	COMB21	COMB2	COMB9	COMB5	COMB9	COMB2
LT 1	B14	Min Value	0.00	-128.59	0.00	-0.003	0.000	-193.807
		Min Case	COMB21	COMB12	COMB14	EY	COMB4	COMB12
		Max Value	0.00	126.30	0.00	0.304	0.000	97.493
		Max Case	COMB21	COMB13	COMB17	COMB4	COMB9	COMB2
LT 1	B15	Min Value	0.00	-61.36	0.00	-8.878	0.000	-142.857
		Min Case	COMB21	COMB2	COMB8	COMB5	COMB10	COMB2
		Max Value	0.00	100.42	0.00	17.658	0.000	79.303
		Max Case	COMB21	COMB2	COMB10	COMB5	COMB8	COMB2
LT 1	B16	Min Value	0.00	-92.00	-0.12	-18.562	-0.254	-163.433
		Min Case	COMB21	COMB12	COMB5	COMB3	COMB5	COMB13
		Max Value	30.51	118.34	0.03	35.168	0.317	88.598
		Max Case	COMB11	COMB11	EX	COMB3	COMB5	COMB12
LT 1	B17	Min Value	0.00	-41.73	0.00	-2.471	0.000	-53.730
		Min Case	COMB21	COMB2	COMB11	COMB17	COMB17	COMB5
		Max Value	0.00	10.28	0.00	1.088	0.000	32.128
		Max Case	COMB21	COMB4	COMB18	COMB12	COMB18	COMB3
LT 1	B18	Min Value	0.00	-10.28	0.00	-1.088	0.000	-53.730
		Min Case	COMB21	COMB6	COMB11	COMB14	COMB18	COMB3
		Max Value	0.00	41.73	0.00	2.471	0.000	32.128
		Max Case	COMB21	COMB2	COMB18	COMB15	COMB11	COMB5
LT 1	B19	Min Value	0.00	-224.11	0.00	-14.070	0.000	-323.517
		Min Case	COMB21	COMB2	COMB15	COMB14	COMB18	COMB3
		Max Value	0.00	233.55	0.00	13.722	0.000	289.745
		Max Case	COMB21	COMB3	COMB18	COMB14	COMB13	COMB2
LT 1	B20	Min Value	0.00	-214.11	0.00	-13.005	0.000	-316.298
		Min Case	COMB21	COMB2	COMB17	COMB11	COMB17	COMB3
		Max Value	0.00	215.57	0.00	13.431	0.000	292.666
		Max Case	COMB21	COMB2	COMB12	COMB11	COMB14	COMB2
LT 1	B21	Min Value	0.00	-194.11	0.00	-37.812	0.000	-298.940
		Min Case	COMB21	COMB5	COMB15	COMB13	COMB14	COMB3
		Max Value	0.00	194.11	0.00	37.812	0.000	266.128
		Max Case	COMB21	COMB3	COMB14	COMB11	COMB15	COMB2

LT 1	B22	Min Value	0.00	-215.57	0.00	-13.431	0.000	-316.298
		Min Case	COMB21	COMB2	COMB17	COMB13	COMB11	COMB5
		Max Value	0.00	214.11	0.00	13.005	0.000	292.666
		Max Case	COMB21	COMB2	COMB16	COMB13	COMB18	COMB2
LT 1	B23	Min Value	0.00	-233.55	0.00	-13.722	0.000	-323.517
		Min Case	COMB21	COMB5	COMB13	COMB12	COMB17	COMB5
		Max Value	0.00	224.11	0.00	14.070	0.000	289.745
		Max Case	COMB21	COMB2	COMB18	COMB12	COMB18	COMB2
LT 1	B24	Min Value	0.00	-28.75	0.00	-2.049	0.000	-44.230
		Min Case	COMB21	COMB2	COMB20	COMB10	COMB6	COMB4
		Max Value	0.00	0.20	0.00	4.569	0.000	5.236
		Max Case	COMB21	EY	COMB2	COMB3	COMB4	COMB11
LT 1	B25	Min Value	0.00	-28.75	0.00	-4.569	0.000	-44.230
		Min Case	COMB21	COMB2	COMB20	COMB5	COMB6	COMB6
		Max Value	0.00	2.38	0.00	3.005	0.000	5.236
		Max Case	COMB21	EX	COMB2	EX	COMB4	COMB13
LT 1	B26	Min Value	0.00	-32.05	0.00	-5.236	0.000	-47.292
		Min Case	COMB21	COMB2	COMB18	COMB11	COMB17	COMB5
		Max Value	0.00	4.93	0.00	1.243	0.000	8.958
		Max Case	COMB21	COMB4	COMB17	COMB18	COMB18	EX
LT 1	B27	Min Value	0.00	-4.93	0.00	-1.243	0.000	-47.292
		Min Case	COMB21	COMB6	COMB18	COMB16	COMB11	COMB3
		Max Value	0.00	32.05	0.00	5.236	0.000	5.106
		Max Case	COMB21	COMB2	COMB15	COMB13	COMB18	COMB6
LT 1	B28	Min Value	0.00	-121.66	0.00	-0.086	0.000	-179.670
		Min Case	COMB21	COMB14	COMB9	COMB9	COMB10	COMB14
		Max Value	0.00	121.21	0.00	0.184	0.000	81.817
		Max Case	COMB21	COMB11	COMB4	COMB4	COMB3	COMB14
LT 1	B29	Min Value	0.00	-115.89	0.00	-0.276	0.000	-187.067
		Min Case	COMB21	COMB2	COMB9	COMB3	COMB4	COMB2
		Max Value	0.00	124.79	0.00	0.019	0.000	97.267
		Max Case	COMB21	COMB2	COMB4	COMB10	COMB9	COMB2
LT 1	B30	Min Value	0.00	-163.47	0.00	-0.202	0.000	-224.912
		Min Case	COMB21	COMB14	COMB9	COMB5	COMB10	COMB14
		Max Value	0.00	163.10	0.00	0.087	0.000	121.510
		Max Case	COMB21	COMB11	COMB4	EX	COMB3	COMB2
LT 1	B31	Min Value	0.00	-120.49	0.00	-0.022	0.000	-184.738
		Min Case	COMB21	COMB2	COMB9	EX	COMB4	COMB2
		Max Value	0.00	120.19	0.00	0.085	0.000	82.418
		Max Case	COMB21	COMB2	COMB4	COMB5	COMB9	COMB2
LT 1	B32	Min Value	0.00	-120.15	0.00	-15.688	0.000	-189.522
		Min Case	COMB21	COMB14	COMB10	COMB5	COMB3	COMB14
		Max Value	0.00	126.35	0.00	31.604	0.000	92.628
		Max Case	COMB21	COMB13	COMB4	COMB5	COMB10	COMB2
LT 1	B34	Min Value	0.00	-105.31	0.00	-0.004	0.000	-158.455
		Min Case	COMB21	COMB2	COMB9	COMB6	COMB4	COMB2
		Max Value	0.00	79.11	0.00	0.004	0.000	55.663
		Max Case	COMB21	COMB2	COMB4	COMB7	COMB9	COMB2
LT 1	B35	Min Value	0.00	-120.15	0.00	-31.604	0.000	-189.522
		Min Case	COMB21	COMB12	COMB10	COMB3	COMB3	COMB12
		Max Value	0.00	126.35	0.00	15.688	0.000	92.628
		Max Case	COMB21	COMB11	COMB4	COMB3	COMB10	COMB2
LT 1	B36	Min Value	0.00	-120.49	0.00	-0.085	0.000	-184.738
		Min Case	COMB21	COMB2	COMB9	COMB3	COMB4	COMB2
		Max Value	0.00	120.19	0.00	0.000	0.000	82.418
		Max Case	COMB21	COMB2	COMB4	RAIN	COMB9	COMB2
LT 1	B37	Min Value	0.00	-163.47	0.00	-0.034	0.000	-224.912
		Min Case	COMB21	COMB12	COMB9	COMB10	COMB10	COMB12
		Max Value	0.00	163.10	0.00	0.202	0.000	121.510
		Max Case	COMB21	COMB13	COMB4	COMB3	COMB3	COMB2
LT 1	B38	Min Value	0.00	-115.89	0.00	-0.095	0.000	-187.067
		Min Case	COMB21	COMB2	COMB9	EX	COMB4	COMB2
		Max Value	0.00	124.79	0.00	0.276	0.000	97.267
		Max Case	COMB21	COMB2	COMB4	COMB5	COMB9	COMB2
LT 1	B39	Min Value	0.00	-121.66	0.00	-0.184	0.000	-179.670
		Min Case	COMB21	COMB12	COMB9	COMB6	COMB10	COMB12
		Max Value	0.00	121.21	0.00	0.112	0.000	81.817
		Max Case	COMB21	COMB13	COMB4	EX	COMB3	COMB12
LT 1	B40	Min Value	0.00	-253.33	0.00	-11.832	0.000	-351.700
		Min Case	COMB21	COMB2	COMB15	COMB14	COMB18	COMB6
		Max Value	0.00	252.61	0.00	11.707	0.000	326.423
		Max Case	COMB21	COMB2	COMB18	COMB14	COMB13	COMB2
LT 1	B41	Min Value	0.00	-214.22	0.00	-13.435	0.000	-317.160
		Min Case	COMB21	COMB2	COMB17	COMB14	COMB17	COMB4
		Max Value	0.00	215.06	0.00	12.976	0.000	291.320

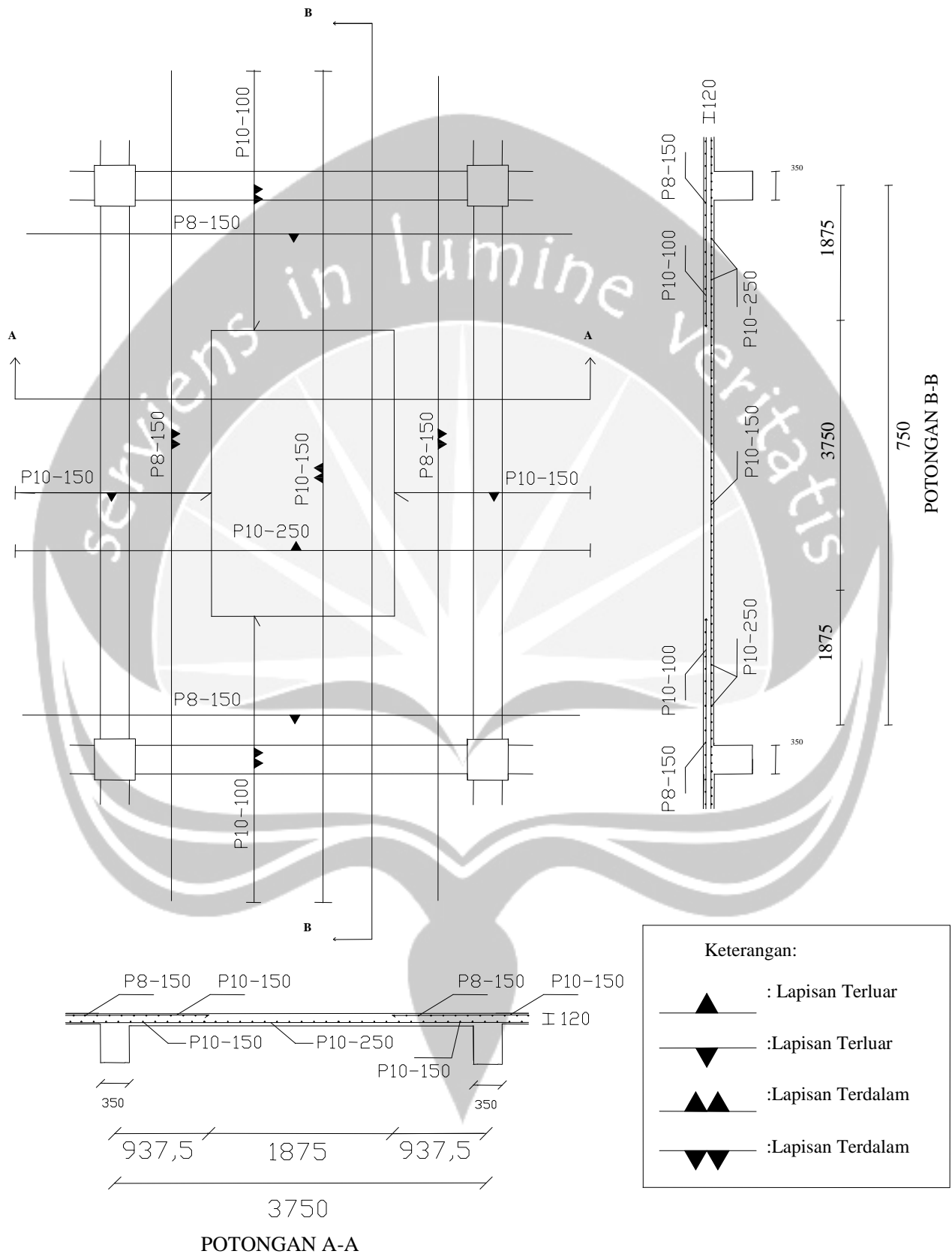
		Max Case	COMB21	COMB2	COMB12	COMB14	COMB14	COMB2
LT 1	B42	Min Value	0.00	-241.92	0.00	-16.071	0.000	-337.914
		Min Case	COMB21	COMB2	COMB14	COMB14	COMB17	COMB6
		Max Value	0.00	241.92	0.00	16.071	0.000	301.861
		Max Case	COMB21	COMB2	COMB17	COMB12	COMB16	COMB2
LT 1	B43	Min Value	0.00	-215.06	0.00	-12.976	0.000	-317.160
		Min Case	COMB21	COMB2	COMB17	COMB12	COMB11	COMB6
		Max Value	0.00	214.22	0.00	13.435	0.000	291.320
		Max Case	COMB21	COMB2	COMB16	COMB12	COMB18	COMB2
LT 1	B44	Min Value	0.00	-252.61	0.00	-11.707	0.000	-351.700
		Min Case	COMB21	COMB2	COMB13	COMB12	COMB17	COMB4
		Max Value	0.00	253.33	0.00	11.832	0.000	326.423
		Max Case	COMB21	COMB2	COMB18	COMB12	COMB18	COMB2
LT 1	B45	Min Value	0.00	-121.24	0.00	-0.710	0.000	-181.271
		Min Case	COMB21	COMB14	COMB8	COMB2	COMB5	COMB11
		Max Value	0.00	122.35	0.00	0.082	0.000	83.809
		Max Case	COMB21	COMB11	COMB6	EX	COMB8	COMB14
LT 1	B46	Min Value	0.00	-137.08	0.00	-0.193	0.000	-192.169
		Min Case	COMB21	COMB2	COMB21	COMB2	COMB21	COMB2
		Max Value	0.00	103.60	0.00	0.001	0.000	141.332
		Max Case	COMB21	COMB2	COMB21	EY	COMB21	COMB2
LT 1	B47	Min Value	0.00	-162.79	0.00	0.000	0.000	-226.845
		Min Case	COMB21	COMB14	COMB8	RAIN	COMB5	COMB11
		Max Value	0.00	164.46	0.00	0.269	0.000	124.046
		Max Case	COMB21	COMB11	COMB6	COMB3	COMB8	COMB2
LT 1	B48	Min Value	0.00	-137.38	0.00	-0.026	0.000	-191.999
		Min Case	COMB21	COMB2	COMB21	EX	COMB21	COMB2
		Max Value	0.00	103.30	0.00	0.127	0.000	142.689
		Max Case	COMB21	COMB2	COMB21	COMB6	COMB21	COMB2
LT 1	B49	Min Value	0.00	-162.72	0.00	-0.248	0.000	-225.830
		Min Case	COMB21	COMB14	COMB8	COMB6	COMB5	COMB11
		Max Value	0.00	164.33	0.00	0.086	0.000	124.644
		Max Case	COMB21	COMB11	COMB6	EX	COMB8	COMB2
LT 1	B50	Min Value	0.00	-134.46	0.00	-0.029	0.000	-174.104
		Min Case	COMB21	COMB2	COMB21	COMB4	COMB21	COMB2
		Max Value	0.00	106.23	0.00	0.029	0.000	148.900
		Max Case	COMB21	COMB2	COMB21	COMB9	COMB21	COMB2
LT 1	B51	Min Value	0.00	-162.72	0.00	-0.007	0.000	-225.830
		Min Case	COMB21	COMB12	COMB8	LIVE	COMB5	COMB13
		Max Value	0.00	164.33	0.00	0.248	0.000	124.644
		Max Case	COMB21	COMB13	COMB6	COMB4	COMB8	COMB2
LT 1	B52	Min Value	0.00	-137.38	0.00	-0.127	0.000	-191.999
		Min Case	COMB21	COMB2	COMB21	COMB4	COMB21	COMB2
		Max Value	0.00	103.30	0.00	0.001	0.000	142.689
		Max Case	COMB21	COMB2	COMB21	EY	COMB21	COMB2
LT 1	B53	Min Value	0.00	-162.79	0.00	-0.269	0.000	-226.845
		Min Case	COMB21	COMB12	COMB8	COMB5	COMB5	COMB13
		Max Value	0.00	164.46	0.00	0.076	0.000	124.046
		Max Case	COMB21	COMB13	COMB6	EX	COMB8	COMB2
LT 1	B54	Min Value	0.00	-137.08	0.00	-0.026	0.000	-192.169
		Min Case	COMB21	COMB2	COMB21	EX	COMB21	COMB2
		Max Value	0.00	103.60	0.00	0.193	0.000	141.332
		Max Case	COMB21	COMB2	COMB21	COMB2	COMB21	COMB2
LT 1	B55	Min Value	0.00	-121.24	0.00	-0.015	0.000	-181.271
		Min Case	COMB21	COMB12	COMB8	EY	COMB5	COMB13
		Max Value	0.00	122.35	0.00	0.710	0.000	83.809
		Max Case	COMB21	COMB13	COMB6	COMB2	COMB8	COMB12
LT 1	B56	Min Value	0.00	-153.35	0.00	-36.381	0.000	-227.370
		Min Case	COMB21	COMB5	COMB15	COMB11	COMB18	COMB5
		Max Value	0.00	153.07	0.00	37.152	0.000	157.168
		Max Case	COMB21	COMB3	COMB18	COMB11	COMB13	COMB2
LT 1	B57	Min Value	0.00	-152.62	0.00	-35.482	0.000	-226.460
		Min Case	COMB21	COMB5	COMB17	COMB11	COMB17	COMB3
		Max Value	0.00	152.65	0.00	35.536	0.000	154.569
		Max Case	COMB21	COMB3	COMB12	COMB11	COMB14	COMB2
LT 1	B58	Min Value	0.00	-153.94	0.00	-37.399	0.000	-228.270
		Min Case	COMB21	COMB5	COMB14	COMB13	COMB17	COMB3
		Max Value	0.00	153.94	0.00	37.399	0.000	157.332
		Max Case	COMB21	COMB3	COMB17	COMB11	COMB16	COMB2
LT 1	B59	Min Value	0.00	-152.65	0.00	-35.536	0.000	-226.460
		Min Case	COMB21	COMB5	COMB17	COMB13	COMB11	COMB5
		Max Value	0.00	152.62	0.00	35.482	0.000	154.569
		Max Case	COMB21	COMB3	COMB16	COMB13	COMB18	COMB2
LT 1	B60	Min Value	0.00	-153.07	0.00	-37.152	0.000	-227.370
		Min Case	COMB21	COMB5	COMB13	COMB13	COMB17	COMB3

Max Value	0.00	153.35	0.00	36.381	0.000	157.168
Max Case	COMB21	COMB3	COMB18	COMB13	COMB18	COMB2

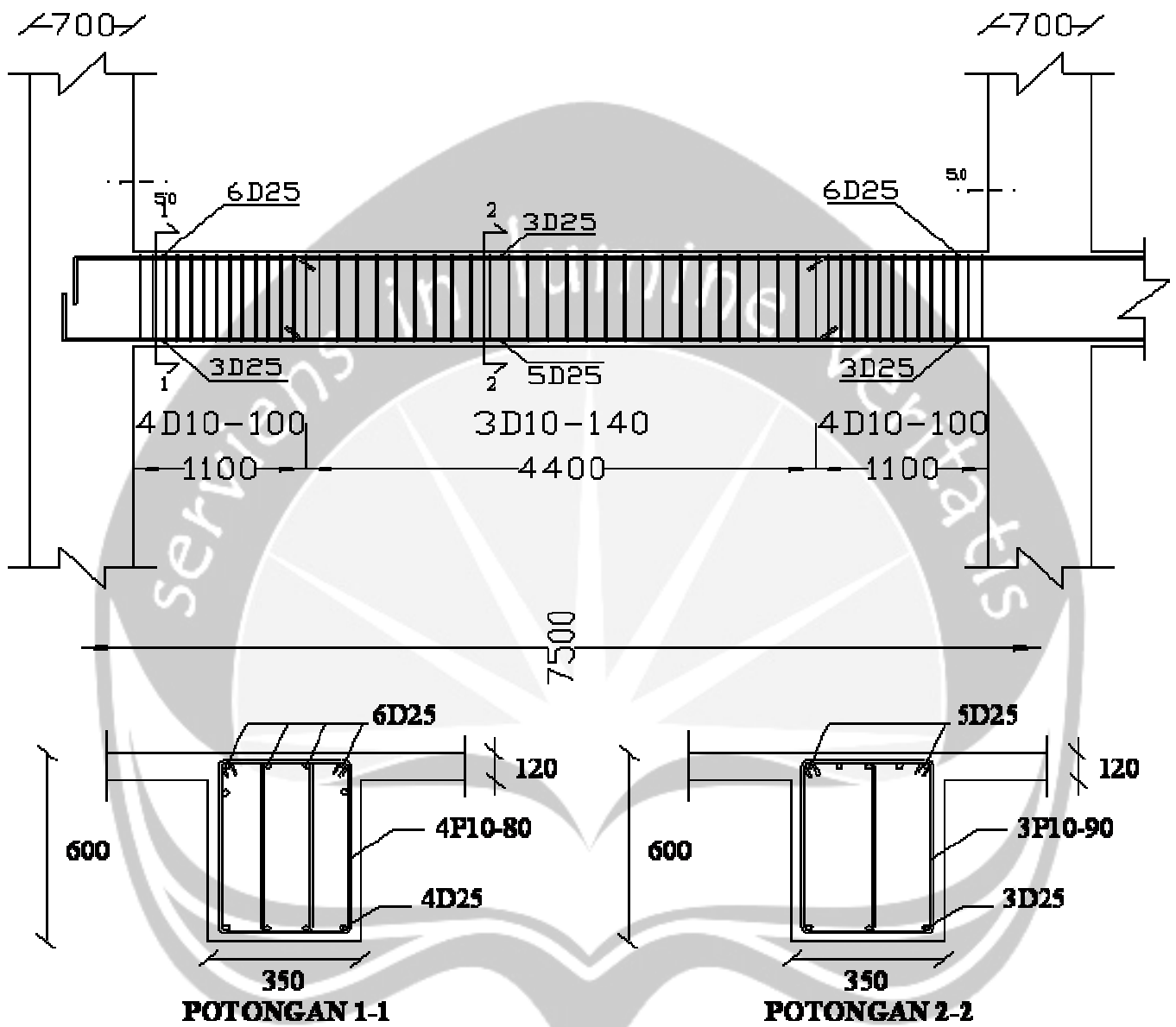




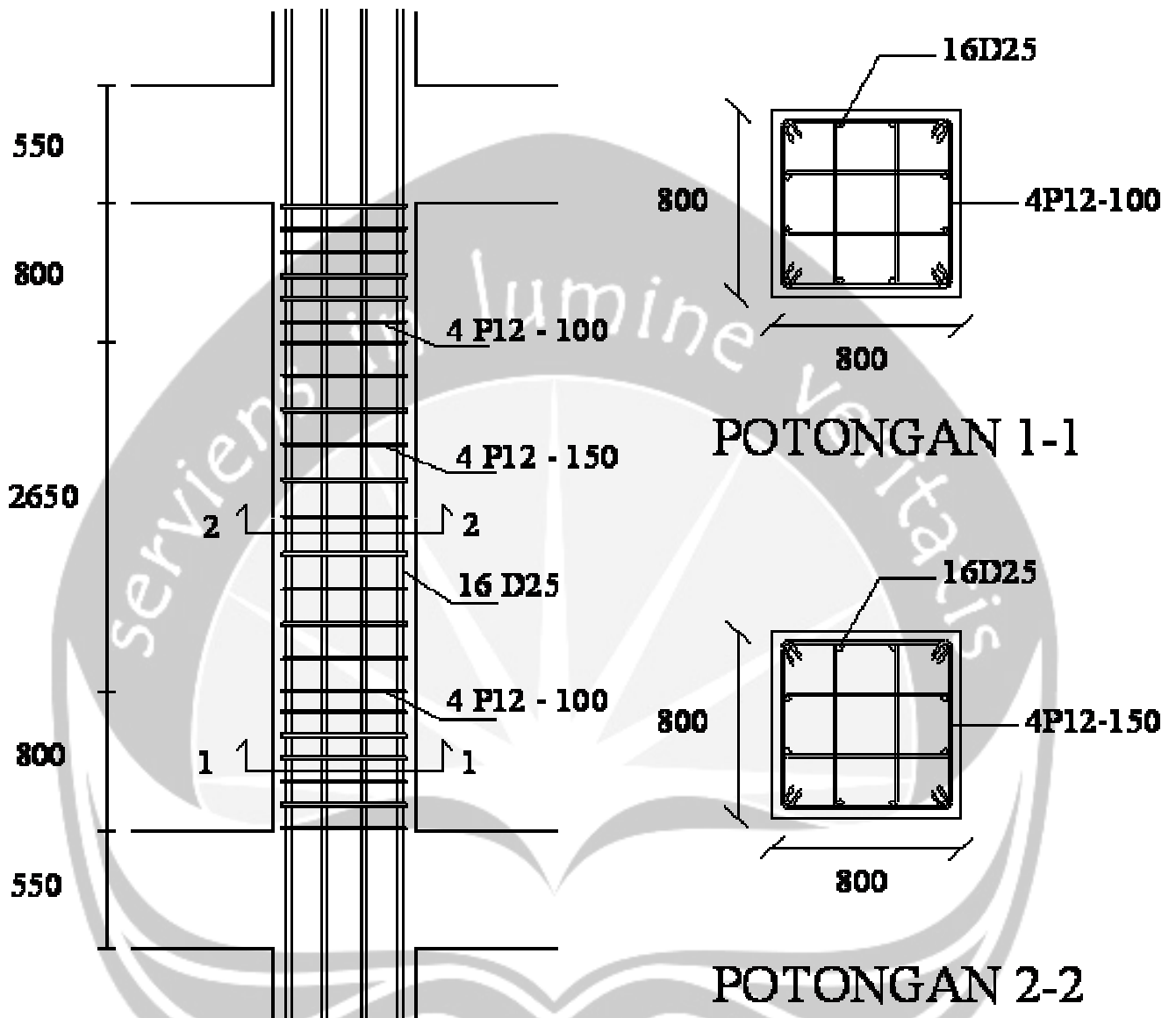
GAMBAR PENULANGAN PELAT DUA ARAH PADA ATAP



GAMBAR PENULANGAN PELAT DUA ARAH PADA LANTAI



GAMBAR PENULANGAN BALOK INDUK
 (Semua satuan dalam mm)



GAMBAR PENULANGAN KOLOM
(semua satuan dalam mm)